

# Battery-driven grease gun

Models TLGB 21/230V, TLGB 21/110V; series “A”



Date of issue	October 2024
Form number	MP5499
Version	2

# Contents

<b>Declaration of Conformity</b> . . . . .	<b>3</b>
<b>U.K. Declaration of Conformity</b> . . . . .	<b>4</b>
<b>FCC Rules and Regulations</b> . . . . .	<b>5</b>
<b>Explanation of signal words</b>	
<b>for safety</b> . . . . .	<b>6</b>
<b>Safety instructions</b> . . . . .	<b>7</b>
General power tool safety warnings . . . . .	7
Safety of others . . . . .	8
Specific safety . . . . .	8
Residual risks . . . . .	9
Vibration . . . . .	9
Labels on tools . . . . .	9
Protect environment . . . . .	10
Safety instructions for	
battery/charger . . . . .	11
Batteries . . . . .	11
Charger . . . . .	11
Labels on battery charger . . . . .	12
Electrical safety . . . . .	12
Battery and charger . . . . .	13
Battery and charger safety rules . . . . .	13
<b>Description</b> . . . . .	<b>14</b>
Specifications . . . . .	14
Sales models . . . . .	16
Function of red and green lights	
on charger . . . . .	17
Battery charger operation . . . . .	17
Leave battery in charger . . . . .	17
LED display . . . . .	17
<b>Tool care and use</b> . . . . .	<b>18</b>
Storage . . . . .	18
Transportation . . . . .	18
Load grease gun . . . . .	18
Load cartridge . . . . .	18
Load suction . . . . .	18
Loader pump . . . . .	19
Prime gun . . . . .	19
Force prime . . . . .	19
Gun operation . . . . .	19
Speed selection . . . . .	20
LCD functions . . . . .	20
Flashlight . . . . .	21
Maintenance . . . . .	21
<b>Troubleshooting</b> . . . . .	<b>22</b>
<b>Parts list</b> . . . . .	<b>22</b>
<b>Service kits</b> . . . . .	<b>23</b>
<b>Illustrated parts breakdown</b> . . . . .	<b>24</b>
<b>Detailed instructions</b> . . . . .	<b>28</b>
<b>Warranty</b> . . . . .	<b>28</b>



# Declaration of Conformity

DOCUMENT NUMBER  
MP5499.Doc

**Manufacturer name/address:**

**SKF MPT**

Meidoornkade 14, 3992  
AE Houten, The Netherlands

TEL: +1 (31) 610136775

EMAIL: [andrea.gondova@skf.com](mailto:andrea.gondova@skf.com) WEBSITE: [www.skf.com](http://www.skf.com)



This Declaration of Conformity is issued under sole responsibility of the manufacturer. SKF MPT hereby declares that the machinery stated below:

Name: Grease gun  
Model number(s): TLGB 21  
Description: Battery-driven grease gun  
Model number(s): TLGB 40-10  
Description: Bluetooth module  
Year of CE: 2022

in its intended use, is in conformity with the relevant union harmonization legislation:

Machinery Directive 2006/42/EU

Electromagnetic Compatibility  
2014/30/EU (EMC)

Hazardous Substances 2011/65/EU  
(RoHS2)

and conforms to the following harmonized standards:

EN 55014-1:2017+A11:2020  
Electromagnetic compatibility -  
Requirements for household appliances,  
electric tools and similar apparatus - Part  
1: Emission

EN 55014-2:2015  
Electromagnetic compatibility -  
Requirements for household appliances,  
electric tools, and similar apparatus - Part  
2: Immunity - Product family standard

EN 62841-1:2015  
Electric motor-operated hand-held tools,  
transportable tools and lawn and garden  
machinery – Safety - Part 1: General  
requirements

EN IEC 63000:2018  
Technical documentation for the  
assessment of electrical and electronic  
products with respect to the  
restriction of hazardous substances

EN 301 489-17 :2020  
Electro-Magnetic Compatibility (EMC)  
standard for radio equipment and  
services; Part 17: Specific conditions for  
Broadband Data Transmission Systems;  
Harmonized Standard for Electro-  
Magnetic Compatibility

EN 301 489-1 :2019  
Electro-Magnetic Compatibility (EMC)  
standard for radio equipment and  
services; Part 1: Common technical  
requirements; Harmonized Standard for  
Electro-Magnetic Compatibility

EN 62479: 2010  
Assessment of the compliance of low  
power electronic and electrical equipment  
with the basic restrictions related to  
human exposure to electromagnetic fields

The manufacturer maintains a technical file  
summary sheet containing test reports and  
product documentation:

Technical file summary sheet:  
RAMP5499XX

RoHS2 -Technical file summary sheet:  
RoHSMP5499XX

I, the undersigned of SKF, do hereby declare that the equipment specified above, in its intended use, conforms to the requirements of the above directives and harmonized standards at the time of placing the above product on the market.

Andrea Gondova  
Product Compliance Manager  
AE Houten, The Netherlands  
2022/06/17

	<h2 style="text-align: center;">U.K. Declaration of Conformity</h2>	<p style="text-align: center;"><b>DOCUMENT NUMBER</b> <b>UKMP5499CA</b></p>
<p style="text-align: center;"><b>Manufacturer name/address:</b> <b>SKF MPT</b> Meidoornkade 14, 3992 AE Houten, The Netherlands</p> <p style="text-align: center;"><b>Authorized to compile the technical file:</b> <b>SKF (U.K.) Limited</b> 2 Canada Close Banbury, Oxfordshire, OX16 2RT, GBR</p> <p style="text-align: center;">TEL: +1 (31) 610136775 EMAIL: <a href="mailto:andrea.gondova@skf.com">andrea.gondova@skf.com</a> WEBSITE: <a href="http://www.skf.com">www.skf.com</a></p>		

This U.K. Declaration of Conformity is issued under sole responsibility of the manufacturer. SKF MPT hereby declares that the machinery stated below:

Name: Grease gun  
Model number(s): TLGB 21  
Description: Battery-driven grease gun  
Model number(s): TLGB 40-10  
Description: Bluetooth module  
Year of CE: 2022

complies with all requirements of the UK legislation Supply of Machinery (Safety) Regulations 2008 No. 1597 at the time of placing on the market. And in its intended use, the following relevant legislation and designated standards were applied in the applicable areas:

EN 55014-1:2017+A11:2020  
Electromagnetic compatibility - Requirements for household appliances, electric tools and similar apparatus - Part 1: Emission

EN 55014-2:2015  
Electromagnetic compatibility - Requirements for household appliances, electric tools, and similar apparatus - Part 2: Immunity - Product family standard

EN 62841-1:2015  
Electric motor-operated hand-held tools, transportable tools and lawn and garden machinery – Safety - Part 1: General requirements

EN IEC 63000:2018  
Technical documentation for the assessment of electrical and electronic products with respect to the restriction of hazardous substances

EN 301 489-17 :2020  
Electro-Magnetic Compatibility (EMC) standard for radio equipment and services; Part 17: Specific conditions for Broadband Data Transmission Systems; Harmonized Standard for Electro-Magnetic Compatibility

EN 301 489-1 :2019  
Electro-Magnetic Compatibility (EMC) standard for radio equipment and services; Part 1: Common technical requirements; Harmonized Standard for Electro-Magnetic Compatibility

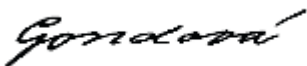
EN 62479: 2010  
Assessment of the compliance of low power electronic and electrical equipment with the basic restrictions related to human exposure to electromagnetic fields

Supply of Machinery (Safety) Regulations 2008 (2008 No. 1597)  
  
Electromagnetic Compatibility Regulations 2016 (2016 No. 1091)

The Restriction of the Use of Certain Hazardous Substances in Electrical and Electronic Equipment Regulations 2012 (2012 No. 3032)

The manufacturer maintains a technical construction file containing test reports and product documentation. In the case of modifications or alterations of the above-mentioned machine not authorized by the manufacturer, validity of this UKCA declaration of conformity will cease.

I, the undersigned, of SKF do hereby declare that the equipment specified above, in its intended use, conforms to the requirements of the above UKCA Directive(s).



Andrea Gondova  
Product Compliance Manager  
AE Houten, The Netherlands  
2022/02/25

	<p style="text-align: center;"><b>FCC Rules and Regulations</b></p>	<p style="text-align: center;">DOCUMENT NUMBER MP5499.FCC</p>
<p style="text-align: center;"><b>Manufacturer name/address:</b>  <b>SKF MPT</b>  Meidoornkade 14, 3992  AE Houten, The Netherlands</p> <p style="text-align: center;">TEL: +1 (31) 610136775  EMAIL: <a href="mailto:andrea.gondova@skf.com">andrea.gondova@skf.com</a> WEBSITE: <a href="http://www.skf.com">www.skf.com</a></p>		

**FCC Rules and Regulations  
47 CFR Chapter I - Part 15 -  
Subpart B**

Model(s): TLGB-21  
TLGB-40-10

The model TLGB-21 grease gun, when assembled with the TLGB-40-10 Bluetooth module, has been tested and found to comply with the limits for a Class B digital device, pursuant to part 15.105(b) of the FCC rules.

These limits are designed to provide reasonable protection against harmful interference in a residential installation.

This equipment generates, uses, and can radiate radio frequency energy and, if not installed and used in accordance with the instructions, may cause harmful interference to radio communications. However, there is no guarantee that interference will not occur in a particular installation.

*No modifications shall be made by the user that can be of influence on the EMC behavior of the device without permission of the manufacturer.*

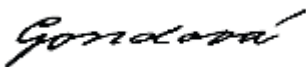
Test standards applied:

EN 62470  
Guidance on techniques for the measurement of the coefficient of friction (COF)

BS EN 62479  
Assessment of the compliance of low power electronic and electrical equipment with the basic restrictions related to human exposure to electromagnetic fields (10 MHz to 300 GHz)

Model number: TLGB-40-10  
FCC ID: Q0QBGM113

Test report summary number:  
6138057.50 (TRF\_FCC PART15 EMC V1.0)



Andrea Gondova  
Product Compliance Manager  
AE Houten, The Netherlands  
09/07/2022

# Explanation of signal words for safety

## NOTE

Emphasizes useful hints and recommendations as well as information to prevent property damage and ensure efficient trouble-free operation.

## CAUTION

Indicates a dangerous situation that can lead to light personal injury if precautionary measures are ignored.

## WARNING

Indicates a dangerous situation that could lead to death or serious injury if precautionary measures are ignored.

## DANGER

Indicates a dangerous situation that will lead to death or serious injury if precautionary measures are ignored.

## WARNING

Do not operate equipment without reading and fully understanding safety warnings and instructions.



Failure to follow warnings and instructions may result in serious injury.

## CAUTION

Do not operate equipment without wearing personal protective gear.

Wear eye protection. Protective equipment such as dust mask, non-skid safety shoes, hard hat, or hearing protection used for appropriate conditions will reduce personal injuries.

Failure to comply may result in light personal injury.



## WARNING



Do not allow any body part to be trapped by equipment. Body parts can be crushed by subassemblies during operation.

Failure to comply may result in death or serious physical injury.

## WARNING



Do not allow fluid to leak onto floor when operating equipment. If spill occurs, clean any fluid on floor before continuing operation.

Failure to comply may result in death or serious personal injury.

## WARNING

Do not use this equipment to supply, transport, or store hazardous substances and mixtures in accordance with annex I part 2-5 of the CLP regulation (EG 1272/2008) or HCS 29 CFR 1910.1200 marked with GHS01, GHS06 and GHS08 hazard pictograms shown:



# Safety instructions

## General power tool safety warnings

### ⚠ WARNING

Read all safety warnings and instructions. Failure to follow warnings and instructions may result in electric shock, fire and/or serious injury.



Save all warnings and instructions for future reference. The term “power tool” in the warnings refers to your mains-operated (corded) power tool or battery-operated (cordless) power tool.

### 1 Work area safety

- 1.1 Keep work area clean and well lit.** Cluttered or dark areas invite accidents.
- 1.2 Do not operate power tools in explosive atmospheres, such as in the presence of flammable liquids, gases or dust.** Power tools create sparks which may ignite dust or fumes.
- 1.3 Keep children and bystanders away while operating a power tool.** Distractions can cause you to lose control.

### 2 Electrical safety

- 2.1 Power tool plugs must match outlet. Never modify plug in any way. Do not use any adapter plugs with earthed (grounded) power tools.** Unmodified plugs and matching outlets will reduce risk of electric shock.
- 2.2 Avoid body contact with earthed or grounded surfaces such as pipes, radiators, ranges and refrigerators.** There is an increased risk of electric shock if your body is earthed or grounded.
- 2.3 Do not expose power tools to rain or wet conditions.** Water entering a power tool will increase risk of electric shock.
- 2.4 Do not abuse cord. Never use cord for carrying, pulling or unplugging power tool. Keep cord away from heat, oil, sharp edges or moving parts.** Damaged or entangled cords increase risk of electric shock.
- 2.5 When operating a power tool outdoors, use an extension cord suitable for outdoor use.** Use of a cord suitable for outdoor use reduces risk of electric shock.
- 2.6 If operating a power tool in a damp location is unavoidable, use a Residual Current Device (RCD) protected supply.** Use of an RCD reduces risk of electric shock.

### 3 Personal safety

- 3.1 Stay alert, watch what you are doing and use common sense when operating a power tool. Do not use a power tool while you are tired or under the influence of drugs, alcohol or medication.** A moment of inattention while operating power tools may result in serious personal injury.
- 3.2 Use personal protective equipment. Always wear eye protection.** Protective equipment such as dust mask, nonskid safety shoes, hard hat, or hearing protection used for appropriate conditions will reduce personal injuries.
- 3.3 Prevent unintentional starting. Ensure switch is in the off-position before connecting to power source and/or battery pack, picking up or carrying tool.** Carrying power tools with your finger on switch or energizing power tools that have the switch on invites accidents.
- 3.4 Remove any adjusting key or wrench before turning power tool on.** A wrench or a key left attached to a rotating part of power tool may result in personal injury.
- 3.5 Do not overreach. Keep proper footing and balance at all times.** This enables better control of power tool in unexpected situations.
- 3.6 Dress properly. Do not wear loose clothing or jewellery. Keep your hair, clothing and gloves away from moving parts.** Loose clothes, jewellery or long hair can be caught in moving parts.
- 3.7 If devices are provided for connection of dust extraction and collection facilities, ensure these are connected and properly used.** Use of dust collection can reduce dust-related hazards.

## 4 Power tool use and care

- 4.1 Do not force power tool. Use correct power tool for your application.** The correct power tool will do the job better and safer at the rate for which it was designed.
- 4.2 Do not use power tool if switch does not turn it on and off.** Any power tool that cannot be controlled with switch is dangerous and must be repaired.
- 4.3 Disconnect plug from power source and/or battery pack from power tool before making any adjustments, changing accessories, or storing power tools.** Such preventive safety measures reduce the risk of starting power tool accidentally.
- 4.4 Store idle power tools out of the reach of children and do not allow persons unfamiliar with power tool or these instructions to operate power tool.** Power tools are dangerous in the hands of untrained users.
- 4.5 Maintain power tools. Check for misalignment or binding of moving parts, breakage of parts and any other condition that may affect power tool's operation. If damaged, have power tool repaired before use.** Many accidents are caused by poorly maintained power tools.
- 4.6 Keep cutting tools sharp and clean.** Properly maintained cutting tools with sharp cutting edges are less likely to bind and are easier to control.
- 4.7 Use power tool, accessories and tool bits etc. in accordance with these instructions, taking into account working conditions and work to be performed.** Use of power tool for operations different from those intended could result in a hazardous situation.

## 5 Battery tool use and care

- 5.1 Recharge only with the battery charger specified by manufacturer.** A charger that is suitable for one type of battery pack may create a risk of fire when used with another battery pack.
- 5.2 Use power tools only with specifically designated battery packs.** Use of any other battery packs may create risk of injury and fire.
- 5.3 When battery pack is not in use, keep it away from other metal objects, like paper clips, coins, keys, nails, screws or other small metal objects, that can make a connection from one terminal to another.** Shorting battery terminals together may cause burns or a fire.
- 5.4 Under abusive conditions, liquid may be ejected from battery; avoid contact. Liquid ejected from battery may cause irritation or burns. If contact accidentally occurs, flush with water. If liquid contacts eyes, seek medical help.**

## 6 Service

- 6.1 Have your power tool serviced by a qualified repair person using only identical replacement parts.** This will ensure that the safety of the power tool is maintained.

# Safety of others

This appliance is not intended for use by persons (including children) with reduced physical, sensory or mental capabilities, or lack of experience and knowledge, unless they have been given supervision or instruction concerning use of appliance by a person responsible for their safety.

Children should be supervised to ensure that they do not play with appliance.

# Specific safety

Always wear eye protection. Grease injection injuries are a very serious injury. Hold hose only in the area of spring guard. Avoid accidental starting. Be sure switch is not depressed when inserting battery pack. Replace hose at first sign of wear, kink or damage to outside jacket.

Do not bend hose so that it becomes kinked.

Do not overreach. Keep proper footing and balance at all times. Proper footing and balance enable better control of tool in unexpected situations.

Use safety equipment. Always wear eye protection.

Dust mask, non-skid safety shoes, hard hat or hearing protection must be used for appropriate conditions.

The gun uses lubricants that may be flammable and poisonous if ingested. Do not use gun near open flame or other fire hazards.



Greases are often marketed as high temperature because they must maintain their lubricating properties in hot areas, but lubricants may be flammable if temperature is too high. Please read all warnings on lubricants before using this gun. Do not use flammable greases with this grease gun.

**⚠ WARNING**

Do not use any hose not approved by SKF. Extreme pressure may cause nozzle extension or whip hose to burst. Replace hose at first sign of wear, kinks, or damage to outside jacket.  
Follow whip hose instructions and warnings. Failure to comply may result in death or serious injury.

**⚠ WARNING**

Grease gun can develop high pressure. Use safety glasses and gloves for protection during operation. Keep hands clear of exposed rubber portion of hose.  
Failure to comply may result in death or serious injury.

## Residual risks

Additional residual risks may arise when using tool that may not be included in enclosed safety warnings. These risks can arise from misuse, prolonged use, etc. Even with application of relevant safety regulations and implementation of safety devices, certain residual risks can not be avoided. These include:

- Injuries caused by touching any rotating/moving parts.
- Injuries caused when changing any parts, blades or accessories.
- Injuries caused by prolonged use of a tool. When using any tool for prolonged periods ensure you take regular breaks.
- Impairment of hearing.
- Health hazards caused by breathing dust developed when using your tool (example: working with wood, especially oak, beech and MDF.)

**⚠ WARNING**

Vibration emission value during actual use of power tool can differ from declared value depending on ways tool is used. Vibration level may increase above level stated.  
Failure to comply may result in death or serious injury.

## Vibration

The declared vibration emission values stated in the technical data and the declaration of conformity have been measured in accordance with a standard test method provided by EN 62841 and may be used for comparing one tool with another. Declared vibration emission value may also be used in a preliminary assessment of exposure.

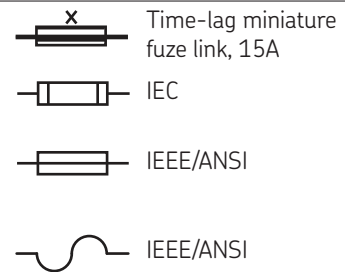
When assessing vibration exposure to determine safety measures required by 2002/44/EC to protect persons regularly using power tools in employment, an estimation of vibration exposure should consider actual conditions of use and way tool is used, including taking account of all parts of operating cycle such as times when tool is switched off and when it is running idle in addition to trigger time.

## Labels on tool

The following symbols are shown on the tool:

**⚠ WARNING**

To reduce risk of injury, user must read instruction manual.  
Failure to comply may result in death or serious injury.



# Protect environment

Should you find one day that your SKF product needs replacement, or if it is of no further use to you, do not dispose of it with household waste. Make this product available for separate collection.

Local regulations may provide for separate collection of electrical products from household, at municipal waste sites or by retailer when you purchase a new product.

## NOTE

Separate collection. Do not dispose of with normal household waste.



## NOTE

Separate collection of used products and packaging allows materials to be recycled and used again.



Reuse of recycled materials helps prevent environmental pollution and reduces demand for raw materials.

## NOTE

Run battery down completely and remove from tool.



NiCd, NiMH and Li-Ion batteries are recyclable. Take to any authorized repair agent or local recycling.

# Safety instructions for battery and charger

This manual contains important safety and operating instruction for the battery charger.

## ⚠ DANGER

Do not probe with conductive objects.  
Do not charge damaged battery.  
Replace immediately.  
Risk of electric shock 120 V AC or 230 V AC present at charger terminals.  
Failure to comply will result in death or serious injury.

## Batteries

- Never attempt to open for any reason.
- Do not expose battery to water.
- Do not store in locations where temperature may exceed 105 °F (40 °C) such as outside sheds or metal buildings in the summer.
- Charge only at ambient temperatures between 50 and 104 °F (10 and 40 °C).
- Charge only using charger provided with tool.
- When disposing of batteries, follow instructions given in the section *Protecting the environment*.

## NOTE

Do not attempt to charge damaged batteries.



## NOTE

Do not expose battery to fire.



## ⚠ DANGER

Do not expose battery to spark or flame.  
Battery liquid may burn.  
Do not splash or immerse in water or other liquids. This may cause premature cell failure.  
Failure to comply will result in death or serious injury.

## ⚠ DANGER

Never attempt to open battery pack for any reason. If plastic housing of battery pack breaks or cracks, return to a service center for recycling.  
Failure to comply will result in death or serious injury.

## ⚠ CAUTION

Do not charge battery packs with any other charger.  
Do not charge any other type of battery with battery charger. Other types of batteries may burst.  
Do not clean charger with it plugged into electrical outlet.  
Failure to comply may result in serious personal injury.

## Charger

- Before using a battery charger, read all instructions and cautionary markings on battery charger, battery pack, and product using battery.
- Do not expose charger to rain, snow or frost.
- Do not abuse cord. Never carry charger by cord or pull on it to disconnect from receptacle. Pull by plug rather than cord when disconnecting charger. Have damaged or worn power cord and strain reliever replaced immediately. Do not attempt to repair power cord.
- Locate cord so that it will not be stepped on, tripped over, or otherwise subjected to damage or stress.
- Do not use an extension cord unless absolutely necessary. Use of improper extension cord could result in a risk of fire and electric shock.
- Do not operate charger if it has received a sharp blow, been dropped, or otherwise damaged in any way, take it to a qualified service center.
- Do not disassemble charger or battery pack. Take it to a qualified service center when service or repair is required. Incorrect reassembly may result in risk of electrical shock or fire.
- Unplug charger from outlet before attempting any cleaning to reduce risk of electric shock.
- Charge battery pack in a well ventilated place; do not cover charger and battery with anything while charging.
- Do not store charger or battery packs in locations where temperature may reach or exceed 104 °F (40 °C) such as a metal tool shed, or a car in the summer. High temperatures can lead to deterioration of storage battery.
- Do not charge battery pack when temperature is below 40 °F (5 °C) or above 104 °F (40 °C). This is very important for proper operation.

- Do not incinerate battery pack. It can explode in a fire.
- Do not charge battery in damp or wet locations.
- Do not short across terminals of battery pack. Extremely high temperatures could cause personal injury or fire.
- This appliance is not intended for use by persons (including children) with reduced physical, sensory or mental capabilities or lack of experience and knowledge.
- Battery pack contains rechargeable, lithium-ion batteries. Batteries must be recycled or disposed of properly. Drop off expended battery packs at your local replacement battery retailer, or your recycling center.

**NOTE**

Charger is intended for indoor use only.



**NOTE**

Read the instruction manual before use.



**NOTE**

Charger is double insulated and no ground wire is required. Check that mains voltage corresponds to voltage on rating plate. Never attempt to replace charger unit with a regular mains plug.

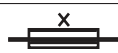


## Electrical safety

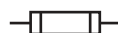
- If supply cord is damaged, it must be replaced by manufacturer or an authorized SKF Service Center in order to avoid a hazard.

## Labels on battery charger

The following symbols are shown on tool:



Time-lag miniature fuse link, 15A



IEC



IEEE/ANSI



IEEE/ANSI

# Battery and charger

## Battery and charger safety rules

This manual contains important safety and operating instructions for battery part numbers TLGB 21-2, TLGB 21-9 and battery chargers TLGB 21-5 and TLGB 21-6.

### **⚠ WARNING**

Before using battery charger read all instructions and cautionary markings on battery charger (10), battery (9) and products using battery.

Extension cord should not be used unless absolutely necessary. Use of improper extension cord may result in risk of fire and electric shock. If extension cord must be used, make sure it is 18 gauge. Check to ensure that pins on plug of extension cord are same number, size, and shape as those of plug on charger. Make sure extension cord is properly wired and in good electrical condition.

Do not incinerate battery, even if it is severely damaged or completely worn out. Battery may explode in fire.

If supply cord is damaged it must be replaced by manufacturer, service agent or similarly qualified persons in order to avoid hazard.

Failure to comply may result in death or serious injury.

### **⚠ CAUTION**

- Do not expose charger to rain, snow, or frost.
- Make sure cord is located so that it will not be stepped on, tripped over, or otherwise subjected to damage or stress.
- Do not operate charger with damaged cord or plug. Replace immediately.
- Do not operate charger if it has received a sharp blow, been dropped, or otherwise damaged in any way.
- Do not disassemble charger.
- Charger is designed to operate on standard household electrical power. Do not attempt to use it on any other voltage.
- Consecutive charging may cause overheating. If you need to recharge battery consecutively, wait for about 15 minutes to allow charger to cool.
- Do not insert foreign material into slot for battery in charger stand.
- Do not disassemble battery.
- Do not store gun and battery assembly in locations where temperature may reach or exceed 104 °F (40 °C).
- Do not short-circuit battery.
- Do not place charger in an area of extreme heat or cold. It works best at normal room temperature.

# Description

Model TLGB 21/230V and TLGB 21/110V guns are designed to dispense petroleum-based greases (NLGI 1/ NLGI 2) for general lubrication applications. Each grease gun is equipped with an electric motor that has three stages of gear reduction, as well as a crank and yoke mechanism that drives the reciprocating piston pump. The motor is powered by a rechargeable 20 volt lithium-ion battery pack. 48 in (1.22 meter) high-pressure whip hose, heavy-duty grease coupler, charger and molded carrying case are included with the grease gun. There also is a built in LED flashlight, two speed electronic transmission and a backlit Liquid Crystal Display (LCD). The LCD features a battery level gauge, a grease level gauge, and grease meter, as well as loss of prime and stall indicator warnings.

The grease gun is able to communicate wirelessly with mobile phones using the SKF application via Bluetooth module (TLGB 40-10, sold separately). The Bluetooth module (TLGB 40-10) must be installed on top of the gun, instead of the removable dust cover.

When the (TLGB 40-10) module is not installed, a dust cap (5) is installed to cover the power plug during general use.

Designed to provide 3-way loading; cartridge, suction, or loader pump can be used to load grease.

Grease guns are spring-primed and include a air bleed valve to aid priming.

Table 1




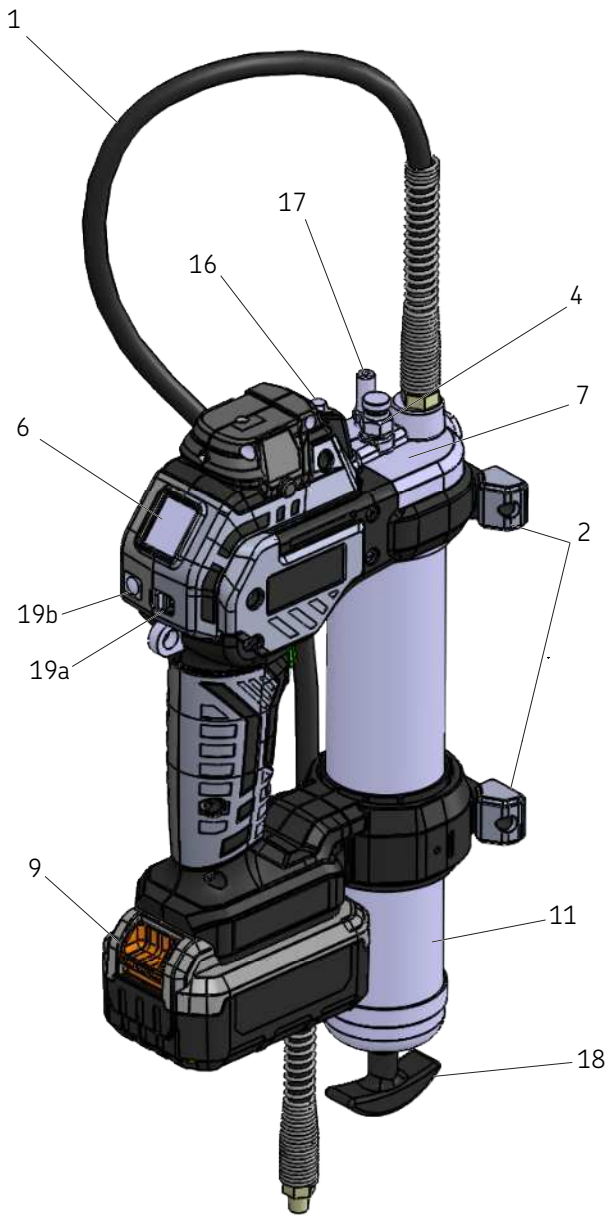
Specifications	
Grease cylinder capacity	
Bulk	16 oz (454 g)
Cartridge size	14 oz (397 g)
Hose assembly	
Pressure rating	10 000 psi (689 bar)
Length	48 in (122 cm)
Operating power	14.5 to 20 V 
Weight	6.3 lbs (2.9 kg)
Maximum peak pressure	10 000 psi (689 bar)
Maximum operating pressure	6 000 psi (413 bar)
Flow rate <sup>1)</sup>	
High speed	6 oz/min (170 g/min)
Low speed	4 oz/min (113 g/min)
Meter accuracy <sup>1) 2)</sup>	
High speed	±3%
Low speed	±4%
Meter range	0.0 to 999 oz (0 to 999 g)
Sound pressure (LpA) 71.5 dB(A), uncertainty (K) 3 dB(A). Acoustic power (LwA) 82.5 dB(A), uncertainty (K) 3 dB(A). Vibration emission value (ah) 0.9 m/s <sup>2</sup> , uncertainty (K) 1.5 m/s <sup>2</sup> .	
<sup>1)</sup> NLGI 2 EP lithium grease (specific gravity 0.92) at 75 °F (24 °C) dispensed through included hose assembly with grease coupler and against 150 psi (10 bar) added pressure (simulates grease fitting with ball check).	
<sup>2)</sup> Meter accuracy is valid for use with NLGI 2 EP lithium grease (specific gravity 0.92) at 75 °F (24 °C).	
 	

Fig. 1



Item	Description	Item	Description
1	Hose	11	Grease cylinder
2	Support	16	LED
4	Vent valve	17	Bulk valve
6	Display	18	Follower rod
7	Pump assembly	19a	Slide switch
9	Battery	19b	Reset button

Table 2

Models


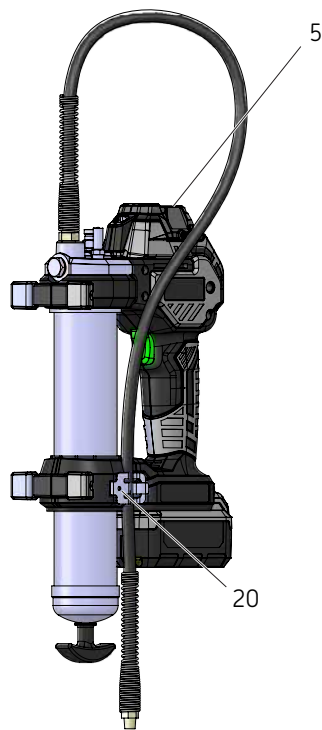
Model	Description	Battery charger	Case
TLGB 21/230V	Battery-driven grease gun 20V	220 VAC/20V  -50/60 Hz	Yes
TLGB 21/110V	Battery-driven grease gun 20V	110 VAC/20V  -50/60 Hz	Yes

Fig. 2



TLGB 21 - Standard  
(without Bluetooth module)

Item	Description
5	Dust cover
20	Hose holder



## Function of red and green lights on charger

When charger is powered on, green light will flash one time.

## Battery charger operation





Verify power circuit voltage is same as that shown on charger specifications plate. Ensure battery properly engages with charger's contacts.

Battery will become slightly warm to touch while charging. This is normal and does not indicate problem.

### Leave battery in charger

Battery can be left connected in charger with green LED glowing indefinitely. Charger features automatic tune-up mode that enables it to function at peak capacity. Tune-up batteries weekly or when battery no longer delivers same amount of work. To use automatic tune-up modes, place battery in charger for a minimum of 8 hours.

Table 3

LED display	
LED light	Description
Green light flashing 	Charging
Green light on 	Battery is fully charged
Red light flashing at 4Hz 	Bad battery condition. Charger has ability to detect a weak or damaged battery. If this LED function occurs, do not continue to charge battery. Return it to a service center or a collection site for recycling (red light flashing at 4HZ).
Red light flashing at 1Hz/5Hz 	Hot/Cold battery. When charger detects that a battery is excessively hot or cold, charging is suspended until battery has normalized. Once battery is at a temperature between to 40 °F (4 °C) and 104 °F (40 °C), charger automatically switches to charging mode. Battery overheating may be due to: <ul style="list-style-type: none"> <li>• Long continuous running</li> <li>• Hot ambient temperature</li> <li>• One or more cells are damaged</li> </ul>

# Tool care and use

## Storage

- Dry place without dust
- Well-ventilated room
- Shelf life: Maximum 24 months
- Relative humidity: <75 %
- Storage temperature: +50 to +104 °F (+10 to +40 °C)
- No direct sunlight or UV radiation
- Protection from nearby sources of heat or cold.

## Transportation

Product must be transported in the original container from the manufacturer throughout all means of transportation, regardless of distance.

The products must be packed in containers using materials that protect from damage and/or loss, in order to ensure their safety during reloading, transportation and storage.

## Load grease gun

### NOTE

Refer to **parts list, page 23**, for component identification on the following procedures.

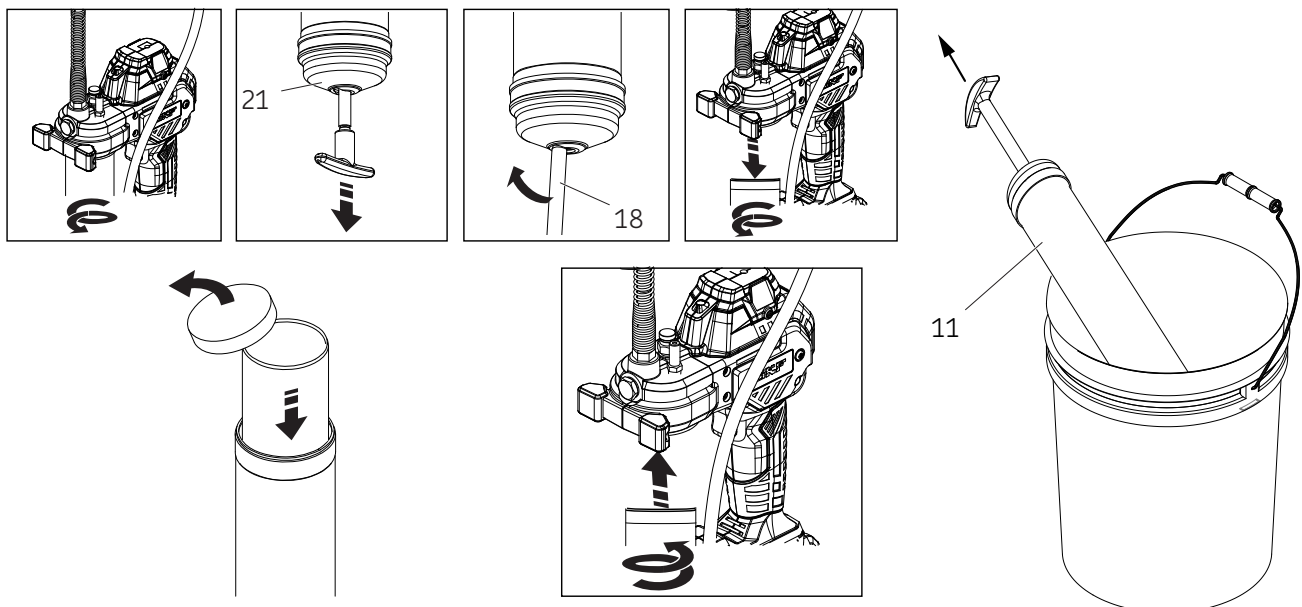
## Load cartridge

- 1 Unscrew grease cylinder (11) from grease gun (→ Fig. 3).
- 2 Pull follower rod (18) and engage groove in follower rod (18) with slot in grease cylinder cap (21).
- 3 Remove plastic cap from cartridge.
- 4 Apply film of grease to exposed inside surface of cartridge. This is only necessary for new gun.
- 5 Insert cartridge into grease cylinder (11).
  - 5.1 Remove tabbed seal from cartridge.
- 6 Screw grease cylinder (11) onto gun.
- 7 Disengage follower rod (18) from slot in grease cylinder cap (21).
  - 7.1 Push follower rod (18) into grease cylinder (11).

## Load suction

- 1 Unscrew grease cylinder (11) from gun (→ Fig. 3).
- 2 Insert head of grease cylinder (11) below surface of grease.
- 3 Slowly pull follower rod (18) outward from grease cylinder cap (21) until groove is visible.
- 4 Engage groove in follower rod (18) with slot in grease cylinder cap (21).
- 5 Screw grease cylinder (11) into gun.
- 6 Disengage follower rod (18) from slot in grease cylinder cap (21).
  - 6.1 Push follower rod (18) into grease cylinder (11).

Fig. 3



## Loader pump

- 1 Pull follower rod (18) and engage follower by rotating rod (→ Fig. 3, page 18).
- 2 Seat loader fitting into loader coupler.
  - 2.1 Push down to hold coupler valve open.
- 3 Operate pump and view movement of follower rod (18).
- 4 Discontinue pump operation once groove on follower rod (18) is visible.
- 5 Disengage follower rod (18) from follower.
- 6 Push follower rod (18) into grease cylinder (11).

### NOTE

Loader fitting on gun must mate with loader coupler. Pump may not operate if components are not compatible.

## Prime gun

In most cases gun will prime simply by operating trigger several times. Should grease fail to appear, air must be bled.

## Force prime

This process manually assists air to be released from bleed valve.

- 1 Pull follower rod (18) and engage follower by rotating rod (→ Fig. 3, page 18).
- 2 Open vent valve by unscrewing stem approximately two turns.
- 3 Push on follower rod (18).
- 4 Once air is eliminated, tighten stem of vent valve.
- 5 Operate gun several times.
- 6 Once grease appears, disengage follower rod (18) from follower and push into grease cylinder (11).

## Check valve contamination

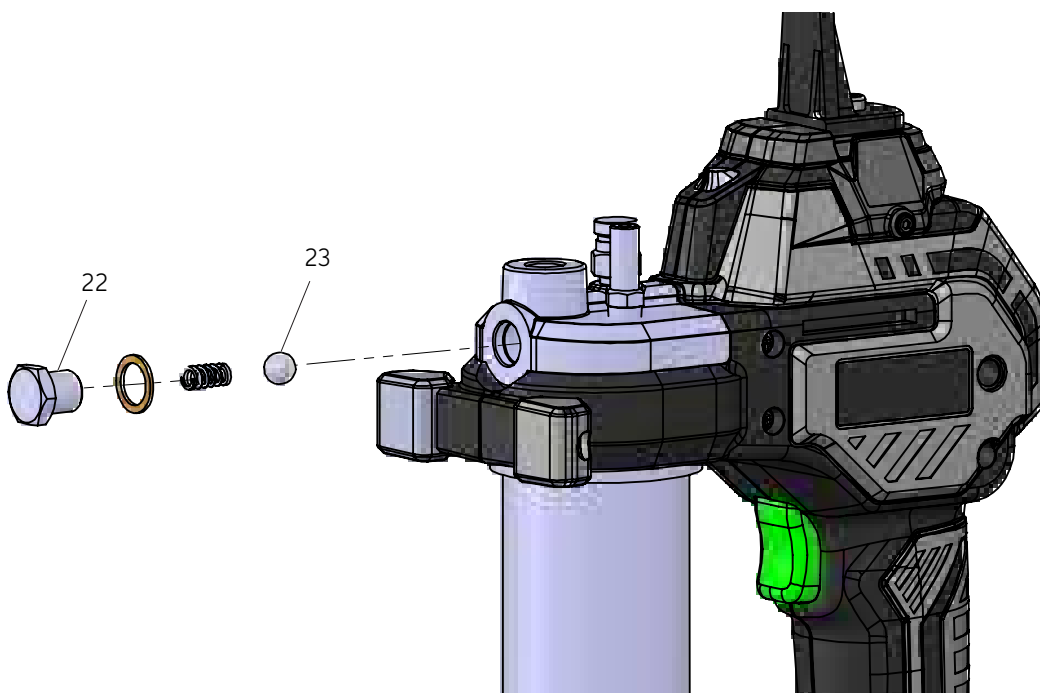
Outlet check may be held open should gun fail to prime. Remove plug (22), clean ball (23) and seat of head (→ Fig. 4).

## Gun operation

Battery (9) is intentionally shipped with low charge. Charge battery prior to use.

- Refer to battery charger operation section for details.

Fig. 4



### ⚠ CAUTION

Grease gun is equipped with software to protect motor. Software will cut power to motor and LCD will illuminate with solid red backlight when blocked bearing, line, or grease fitting causes gun to stall. Release trigger immediately if this situation occurs.

For maximum motor life, avoid operating at stall.

Failure to comply may result in property damage.

### NOTE

Grease gun will develop to roughly 7 000 psi (483 bar) before software will go into stall condition and cut power to motor. Gun will remain in stall condition for 3 seconds before power is supplied to motor again.

Gun will stall one additional time if trigger is held continuously to develop 8 500 to 10 500 psi (586 to 724 bar).

Release trigger to allow cooling for 3 seconds before operating again.

## Speed selection

Gun is equipped with two speed electronic transmission to provide high and low flow rate. Refer to specifications for performance at each speed. High speed is when **2** is shown on slide switch (**19a**) (→ Fig. 5). Maximum pressure can be achieved in both high **2** and low speed **1**.

### NOTE

Grease gun will automatically switch from low speed **1** to high speed **2** around 3 500 psi (241 bar) to obtain a higher pressure.

## LCD functions

Liquid Crystal Display (LCD) (**6**) features electronic grease meter, grease level gauge, and battery level indicator. To turn LCD **ON**, tap reset button (**19b**) one time (→ Fig. 5).

To enter reset mode, press and hold reset button (**19b**). After 2 seconds, digits of grease meter and grease cylinder level units of measure (oz/g) begin to flash.

Releasing reset button (**19b**) when grease meter digit is flashing will reset meter to zero. Releasing reset button (**19b**) while grease cylinder level segments are flashing will restore gauge to full. Releasing reset button (**19b**) while unit of measure is flashing will change unit of measure.

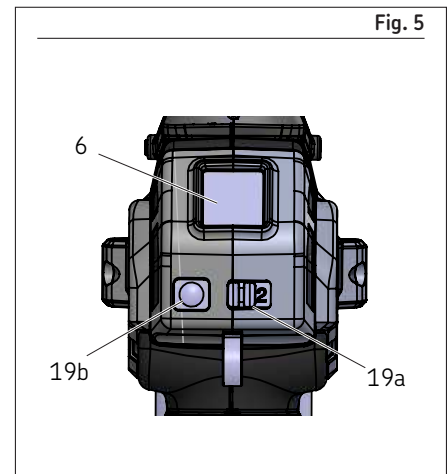
## Stall indication

During stall condition (in case of clogged fitting or line) gun will stop pumping grease and LCD display (**6**) reset button (**19b**) will illuminate with red back light. If condition occurs, release trigger immediately. Inspect, clean, and/or fix grease passage before trying to dispense grease into system.

## Loss of prime indication

Loss of prime occurs when there is air in grease or when grease cylinder is empty. When this occurs, LCD screen reset button (**19b**) will flash red to indicate gun is not pumping grease. During loss of prime grease meter does not count empty piston strokes.

**1**



## Flashlight

To turn flashlight **ON**, tap reset button one time. If LCD screen is not already **ON**, two taps of reset button is required to turn flashlight **ON**.

To turn flashlight **OFF**, tap reset button one time. Flashlight will automatically turn **OFF** after 20 seconds unless trigger is operated to dispense grease. If trigger is pressed to operate gun, light will remain **ON** until 20 seconds after trigger is released.

### **WARNING**

Do not perform maintenance on tool with battery installed. Do not clean charger with it plugged in.

Failure to comply may result in death or serious injury.

### **NOTE**

Regularly clean ventilation slots in tool and charger using a soft brush or dry cloth.

Regularly clean motor housing using a damp cloth. Do not use any abrasive or solvent-based cleaner.

## Maintenance



Grease gun has been designed to operate over a long period of time with minimum maintenance. Continuous satisfactory operation depends upon proper tool care and regular cleaning.

Charger does not require any maintenance apart from regular cleaning.


## Troubleshooting

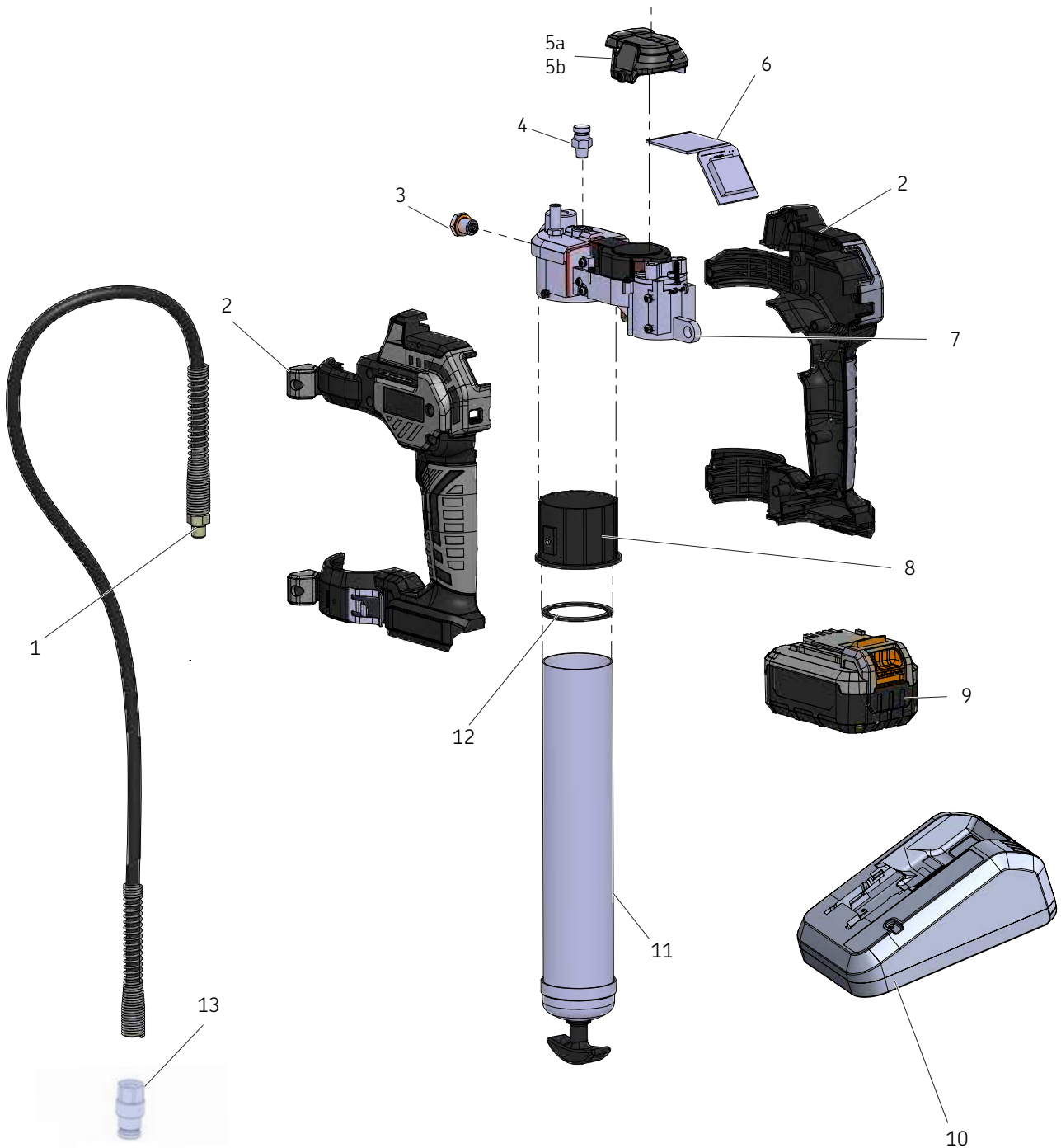
Condition	Cause	Corrective action
Grease gun fails to dispense grease.	Grease tube assembly is out of grease.	Check that grease tube assembly has grease. Repeat priming operation.
	Loss of prime.	Remove ball (23) check, clean and inspect ball (23) seat area.
	Ball (23) check is not functioning.	Clean or replace whip hose. Remove blockages.
	Clogged whip hose.	Clean or replace whip hose.
Display flashing red due to motor overload.	Blocked lube point.	Clean or replace whip hose.
	Clogged whip hose.	Empty grease tube assembly, refill and repeat priming instructions.
Grease gun continues to lose prime.	Air trapped in several locations in container after bulk filling.	Disassemble grease tube assembly and clean. Be sure that follower has properly entered grease cartridge.
	Follower binding in grease tube assembly.	Disassemble grease tube assembly and clean. Be sure that follower has properly entered grease cartridge.  Verify that the follower is not caught on rim of grease cartridge.
		Replace grease cylinder assembly (11) if damaged.
	Check ball (23) seat and check ball (23) dirty.	Clean check ball (23) and check ball (23) seat.
Battery fails to take a charge.	No power to charger.	Check that receptacle has power.
	Battery may be bad.	Replace battery.
	Battery needs charging	Recharge battery.
Motor fails to run.	Faulty wiring to motor.	Remove battery, disassemble handle and check wiring connections on terminal, trigger switch and motor.

### Service kits

Part number	Description
TLGB 21-1	Strap, shoulder (TLGB)
TLGB 21-2	Battery SKF Lithium 20V 2.5 Ah
TLGB 21-3	Hose 1219 mm lg w/ coupler
TLGB 21-4	Grease tube kit (TLGB)
TLGB 21-5	Charger SKF 2A 230 V AC / 20V 
TLGB 21-6	Charger SKF 2A 120 V AC / 20V 
TLGB 21-9	Battery SKF Lithium 20V 4.0 Ah

### Parts list

Item	Description
1	Hose assembly, grease
2	Housing (handle)
3	Check valve
4	Vent valve
5a	Dust cap (TLGB 21)
5b	Bluetooth module (TLGB 40-10)
6	Display/PCB
7	Pump
8	Grease tube spacer with screw
9	Battery, 20 V  2.5Ah Battery 20V 4.0 Ah
10	Charger, battery (120 V AC / 60 Hz) Charger, battery (230 V AC / 50 Hz)
11	Cylinder assembly, grease
12	Gasket
13	Coupler, grease
14	Phone holder
15	Screw





## Detailed instructions

For detailed instructions for use go to this link  
→ [gr.skf.com/lm/Lub-tools/TLGB-21/](https://gr.skf.com/lm/Lub-tools/TLGB-21/)  
or contact your local SKF office or distributor.



## Warranty

The instructions do not contain any information on the warranty.  
This can be found in the General Conditions of Sales, available at:  
[www.skf.com/lubrication](https://www.skf.com/lubrication).



[skf.com](https://www.skf.com)

© SKF is a registered trademark of the SKF Group.

© SKF Group 2024

The contents of this publication are the copyright of the publisher and may not be reproduced (even extracts) unless prior written permission is granted. Every care has been taken to ensure the accuracy of the information contained in this publication but no liability can be accepted for any loss or damage whether direct, indirect or consequential arising out of the use of the information contained herein.

October 2024 · Form MP5499EN Version 2

# Batteriegespeiste Fettpresse

Modelle TLGB 21/230V, TLGB 21/110V



Ausgabedatum	Oktober 2024
Formularnummer	MP5499
Version	2

# Inhalt

<b>EG-Konformitätserklärung</b> .....	<b>3</b>
<b>Sicherheitssignale</b> .....	<b>6</b>
<b>Sicherheitshinweise</b> .....	<b>7</b>
Allgemeine Sicherheitswarnungen für Elektrowerkzeuge .....	7
Sicherheit umstehender Personen .....	8
Spezifische Sicherheitshinweise .....	8
Restrisiken .....	9
Schwingungen .....	9
Etiketten auf Akku-ladegerät .....	9
Schutz der Umwelt .....	10
Sicherheits-hinweise für Ladegerät und Akkus .....	11
Akku .....	11
Ladegerät .....	11
Elektrosicherheit .....	12
Ladegerät und Akkus .....	13
Sicherheits-hinweise für Ladegerät und Akkus .....	13
<b>Beschreibung</b> .....	<b>14</b>
Technische Daten .....	14
Modelle .....	16
Funktion der roten und grünen Lichter am Ladegerät .....	17
Funktion des Ladegeräts .....	17
Lassen Sie den Akku im Ladegerät ..	17
LED-Anzeige .....	17
<b>Användning och skötsel av verktyg</b> ..	<b>18</b>
Fettpresse laden .....	18
Kartusche laden .....	18
Lastabsaugung .....	18
Ladepumpe .....	19
Fettpresse vorfüllen .....	19
Vorfüllen erzwingen .....	19
Bedienung .....	20
Wahl der Pumpengeschwindigkeit ..	20
LCD-Funktionen .....	20
Taschenlampe .....	21
Wartung .....	21
<b>Fehlerbehebung</b> .....	<b>22</b>
<b>Ersatzteil-/Teilesatzliste</b> .....	<b>23</b>
<b>Ersatzteil</b> .....	<b>24</b>
<b>Ausführliche Bedienungsanleitung</b> ..	<b>28</b>
<b>Gewährleistung</b> .....	<b>28</b>



# Konformitätserklärung

DOKUMENTNUMMER  
MP5499.Doc

## Name/Anschrift des Herstellers:

**SKF MPT**

Meidoornkade 14, 3992  
AE Houten, Die Niederlande

TEL: +1 (31) 610136775

EMAIL: [andrea.gondova@skf.com](mailto:andrea.gondova@skf.com) WEBSEITE: [www.skf.com](http://www.skf.com)



Tiese Konformitätserklärung wird in der alleinigen Verantwortung des Herstellers ausgestellt. SKF MPT erklärt hiermit, dass die unten angegebene unvollständige Maschine:

Name: Fettpresse  
Bestellnummer(n): TLGB 21  
Beschreibung: Batteriegespeiste Fettpresse  
Bestellnummer(n): TLGB 40-10  
Beschreibung: Bluetooth-Modul  
Jahr der CE-Kennzeichnung: 2022

bei ihrer bestimmungsgemäßen Verwendung mit der folgenden anwendbaren EU-Harmonisierungsvorschrift übereinstimmt:

Maschinenrichtlinie 2006/42/EG  
Elektromagnetische Verträglichkeit 2014/30/EU (EMV)  
Gefahrstoffe 2011/65/EU (RoHS2)

und die Bestimmungen der folgenden Harmonisierungsnormen erfüllt.

EN 55014-1:2017+A11:2020  
Elektromagnetische Verträglichkeit - Anforderungen an Haushaltsgeräte, Elektrowerkzeuge und ähnliche Geräte - Teil 1: Emission

EN 55014-2:2015  
Elektromagnetische Verträglichkeit - Anforderungen an Haushaltsgeräte, Elektrowerkzeuge und ähnliche Geräte - Teil 2: Störfestigkeit - Produktfamilienorm

EN 62841-1:2015  
Elektrische motorbetriebene handgeführte Werkzeuge, transportable Werkzeuge und Rasen- und Gartenmaschinen - Sicherheit - Teil 1: Allgemeine Anforderungen

ENIEC 63000:2018  
Technische Dokumentation zur Bewertung von Elektro- und Elektronikprodukten hinsichtlich der Beschränkung gefährlicher Stoffe

EN 301 489-17:2020  
Elektromagnetische Verträglichkeit (EMV)-Standard für Funkgeräte und -dienste; Teil 17: Besondere Bedingungen für Breitband-Datenübertragungssysteme; Harmonisierter Standard für elektromagnetische Verträglichkeit

EN 301 489-1:2019  
Elektromagnetische Verträglichkeit (EMV)-Standard für Funkgeräte und -dienste; Teil 1: Gemeinsame technische Anforderungen; Harmonisierter Standard für elektromagnetische Verträglichkeit

EN62479: 2010  
Bewertung der Übereinstimmung von elektronischen und elektrischen Geräten mit geringer Leistung mit den grundlegenden Beschränkungen in Bezug auf die Exposition von Menschen gegenüber elektromagnetischen Feldern

Der Hersteller führt technische Konstruktionsunterlagen mit Prüfberichten und der Produktdokumentation:

Nr. der Zusammenfassung der technischen Unterlagen: RAMP5499XX

RoHS2 - Nr. der Zusammenfassung der technischen Unterlagen: RoHSMP5499XX

Ich, der unterzeichnete Vertreter der SKF, erkläre hiermit, dass die oben genannte Maschine bei bestimmungsgemäßem Gebrauch die Anforderungen der oben genannten harmonisierten Normen erfüllt.

Andrea Gondova  
Produkt-Compliance-Manager  
AE Houten, Die Niederlande  
2022/06/17

# Sicherheitssignale

## HINWEIS

Deren Hinweise enthalten nützliche Tipps und Empfehlungen sowie Informationen für einen effizienten und störungsfreien Betrieb.

## ⚠ VORSICHT

Verweist auf eine Gefahrensituation, die bei Unterlassung entsprechender Vorsichtsmaßnahmen zu leichten Verletzungen oder Sachschäden führen kann.

## ⚠ WARNUNG

Verweist auf eine Gefahrensituation, die bei Unterlassung entsprechender Vorsichtsmaßnahmen zu schweren oder leichten Verletzungen führen kann.

## ⚠ ACHTUNG

Verweist auf eine Gefahrensituation, die bei Unterlassung entsprechender Vorsichtsmaßnahmen zu schweren oder tödlichen Verletzungen führen kann.

## ⚠ WARNUNG

Dieses Gerät erst dann in Betrieb nehmen, wenn die Sicherheitswarnungen und Anleitungen gelesen und vollständig verstanden wurden.



Ein Missachten der Warnhinweise und Anleitungen kann zu schweren Verletzungen führen.

## ⚠ VORSICHT

Das Gerät erst nach dem Anlegen einer persönlichen Schutzausrüstung in Betrieb nehmen.

Augenschutz tragen. Bei den entsprechenden äußeren Bedingungen angelegte Schutzausrüstungen wie Staubmasken, rutschsichere Arbeitsschuhe, Helme und Gehörschutz reduzieren das Auftreten von Verletzungen.

Nichtbeachtung kann zu leichten Verletzungen führen.



## ⚠ WARNUNG



Achten Sie darauf, dass keine Körperteile von Geräten eingeklemmt werden.

Körperteile können im Betrieb durch Baugruppen gequetscht werden.

Bei einem Missachten dieses Hinweises kann es zu schweren oder tödlichen Verletzungen kommen.

## ⚠ WARNUNG



Achten Sie darauf, dass keine Flüssigkeit auf den Boden tropft, wenn Sie Geräte bedienen. Wenn etwas verschüttet wird, sollten alle Flüssigkeiten auf dem Boden entfernt werden, bevor Sie fortfahren.

Ein Missachten dieses Hinweises kann Verletzungen verursachen.

## ⚠ WARNUNG

Dieses Gerät nicht zur Lieferung, zum Transport oder zur Lagerung von gefährlichen Stoffen und Gemischen verwenden. In diesem Zusammenhang sind die folgenden Gefahrenpiktogramme GHS01, GHS06 und GHS08 gemäß Anhang I, Teil 2-5, der CLP-Verordnung (EG-Verordnung 1272/2008) bzw. 29 CFR 1910.1200 (OSHA HCS) zu beachten:



# Sicherheitshinweise

## Allgemeine Sicherheitstswarnungen für Elektrowerkzeuge

### ⚠️ WARNUNG

Alle Warnhinweise und Anleitungen für eine eventuelle spätere Verwendung aufbewahren. Der Begriff „Elektrowerkzeug“ in den Warnhinweisen bezieht sich auf ein mit Netzstrom betriebenes Elektrowerkzeug (mit Kabel) oder ein batteriebetriebenes (kabelloses) Elektrowerkzeug.



Alle Warnhinweise und Anleitungen für eine eventuelle spätere Verwendung aufbewahren. Der Begriff „Elektrowerkzeug“ in den Warnhinweisen bezieht sich auf ein mit Netzstrom betriebenes Elektrowerkzeug (mit Kabel) oder ein batteriebetriebenes (kabelloses) Elektrowerkzeug.

### 1 Sicherheit im Arbeitsbereich

- 1.1 Jederzeit für einen sauberen und gut ausgeleuchteten Arbeitsbereich Sorge tragen.** Unaufgeräumte oder dunkle Bereiche erhöhen das Unfallrisiko.
- 1.2 Elektrowerkzeuge nicht in explosionsgefährdeten Atmosphären, z. B. bei Anwesenheit von entzündlichen Flüssigkeiten, Gasen oder Staub, in Betrieb nehmen.** Elektrowerkzeuge erzeugen Funken, die Staub oder Dämpfe entzünden können.
- 1.3 Kinder und Umstehende bei Gebrauch eines Elektrowerkzeugs von diesem fernhalten.** Ablenkungen können zu Kontrollverlust führen.

### 2 Elektrosicherheit

- 2.1 Die zur Verwendung vorgesehenen Elektrowerkzeuge müssen für den Anschluss an der vorgesehenen Steckdose geeignet sein. Den Stecker in keiner Weise modifizieren.** Bei geerdeten Elektrower-

erkzeugen keine Zwischenstecker verwenden. Bei Verwendung von nicht modifizierten Steckern und diesen entsprechenden Steckdosen wird das Stromschlagrisiko gemindert.

- 2.2 Jeden körperlichen Kontakt mit geerdeten Oberflächen wie Rohren, Heizkörpern, Herden und Kühlschränken vermeiden.** Im geerdeten Zustand besteht für den Körper ein höheres Stromschlagrisiko.
- 2.3 Elektrowerkzeuge nicht bei Regen verwenden und keinen feuchten Umgebungen aussetzen.** Wenn Wasser in das Elektrowerkzeug eindringt, erhöht sich das Stromschlagrisiko.
- 2.4 Das Kabel schonend behandeln. Das Kabel nicht zum Tragen des Elektrowerkzeugs, zum Ziehen an demselben oder zum Abziehen des Netzsteckers verwenden.** Das Kabel von Wärmequellen, Öl, scharfen Kanten und in Bewegung befindlichen Teilen fernhalten. Beschädigte oder verknotete Kabel erhöhen das Stromschlagrisiko.
- 2.5 Beim Betrieb eines Elektrowerkzeugs im Freien ist ein für den Gebrauch außerhalb von Gebäuden geeignetes Verlängerungskabel zu verwenden.** Durch den Gebrauch eines für den Gebrauch im Freien geeigneten Verlängerungskabels wird das Stromschlagrisiko gemindert.
- 2.6 Wenn der Gebrauch eines Elektrowerkzeugs an einem feuchten Ort unvermeidlich ist, ist eine mit einem Fehlerstromschutzschalter geschützte Stromversorgung zu verwenden.** Fehlerstromschutzschalter reduzieren das Stromschlagrisiko.

### 3 Persönliche Sicherheit

- 3.1 Wachsam bleiben! Achten Sie darauf, was Sie tun, und berufen Sie sich beim Bedienen eines Elektrowerkzeugs auf Ihren gesunden Menschenverstand.** Verwenden Sie Elektrowerkzeuge nicht, wenn Sie müde sind oder unter dem Einfluss von Drogen, Alkohol oder Medikamenten stehen. Ein Moment der Unachtsamkeit bei der Bedienung eines Elektrower-

erkzeugs kann schwere Verletzungen nach sich ziehen.

- 3.2 Persönliche Schutzausrüstung verwenden. Stets einen geeigneten Augenschutz tragen.** Bei den entsprechenden äußeren Bedingungen angelegte Schutzausrüstungen wie Staubmasken, rutschsichere Arbeitsschuhe, Helme und Gehörschutz reduzieren das Auftreten von Verletzungen.
- 3.3 Ein unbeabsichtigtes Starten des Elektrowerkzeugs vermeiden. Achten Sie vor dem Anschließen des Geräts an eine Stromquelle und oder ein Akkupack und vor dem Aufheben oder Tragen des Geräts darauf, dass sich der Schalter in der Aus-Stellung befindet.** Das Tragen eines Elektrowerkzeugs mit dem Finger am Schalter oder das Aktivieren eines Elektrowerkzeugs bei eingeschaltetem Schalter lädt zu Unfällen ein.
- 3.4 Vor Einschalten des Elektrowerkzeugs alle Einstellschlüssel oder Schraubenschlüssel entfernen.** Ein an einem drehbaren Teil des Elektrowerkzeugs angebrachter Schrauben- oder Einstellschlüssel kann zu Verletzungen führen.
- 3.5 Nicht zu weit nach vorne beugen. Jederzeit auf einen sicheren Stand und die Aufrechterhaltung des Gleichgewichts achten.** Dies ermöglicht eine bessere Kontrolle des Elektrowerkzeugs in unerwartet auftretenden Situationen.
- 3.6 Angemessene Kleidung tragen. Tragen Sie keine lose Kleidung und keinen Schmuck. Halten Sie Haare, Kleidung und Handschuhe von bewegten Teilen fern.** Lose Kleidungsstücke, Schmuck und langes Haar kann sich in bewegten Teilen verfangen.
- 3.7 Wenn Geräte zum Anschließen von Staubabsaug- und sammelvorrichtungen vorgesehen sind, ist sicherzustellen, dass diese angeschlossen und richtig verwendet werden.** Der Gebrauch von Staubsammlern kann das Auftreten von Gefahrenquellen in Verbindung mit Staubentwicklung reduzieren.

#### 4 Gebrauch und Pflege von Elektrowerkzeugen

##### 4.1 Keinen gewaltsamen Druck auf das Elektrowerkzeug ausüben. Das der jeweiligen Anwendung

entsprechende Elektrowerkzeug verwenden. Mit dem richtigen Elektrowerkzeug lässt sich die anstehende Arbeit besser, sicherer und mit dem Tempo verrichten, für das es ausgelegt ist.

##### 4.2 Das Elektrowerkzeug nicht verwenden, wenn sich der Schalter nicht ein- oder ausschalten lässt.

Jedes Elektrowerkzeug, das sich mit dem Schalter nicht bedienen lässt, ist gefährlich und muss repariert werden.

##### 4.3 Vor dem Durchführen jeglicher Einstellungen, vor dem Austausch von Zubehörteilen und vor dem Lagern von Elektrowerkzeugen den Stecker aus der Stromquelle abziehen und/oder das Akkupack vom Elektrowerkzeug abklemmen.

Derartige vorbeugende Maßnahmen reduzieren das Risiko eines versehentlichen Startens des Elektrowerkzeugs.

##### 4.4 Nicht benötigte Elektrowerkzeuge außerhalb der Reichweite von Kindern lagern. Personen, die mit dem Elektrowerkzeug oder dieser Anleitung nicht vertraut sind, die Bedienung dieses Elektrowerkzeugs nicht gestatten.

In der Hände ungeschulter Benutzer sind Elektrowerkzeuge gefährlich.

##### 4.5 Elektrowerkzeuge ordnungsgemäß warten.

Das Elektrowerkzeug auf falsch ausgerichtete oder klemmende bewegliche Teile, auf defekte Teile und andere Zustände untersuchen, die sich auf die Funktion des Elektrowerkzeugs auswirken könnten. Beschädigte Elektrowerkzeuge vor Gebrauch reparieren lassen. Viele Unfälle werden von schlecht gewarteten Elektrowerkzeugen verursacht.

##### 4.6 Darauf achten, dass alle Schneidwerkzeuge jederzeit gut geschärft und sauber sind.

Ordnungsgemäß gewartete Schneidwerkzeuge mit scharfen Schneidmessern bleiben weniger leicht stecken und lassen sich leichter bedienen.

##### 4.7 Elektrowerkzeug, Zubehör, Einsätze usw. gemäß dieser Anleitung und auf eine für das jeweilige

Elektrowerkzeug vorgesehene Art und Weise verwenden, wobei die Arbeitsbedingungen und die auszuführende Arbeit zu berücksichtigen sind. Die

Verwendung des Elektrowerkzeugs für Arbeiten, für die das Gerät nicht vorgesehen ist, können Gefahrensituationen verursachen.

#### 5 Gebrauch und Pflege des Akkus

##### 5.1 Zum Aufladen nur das vom Hersteller angegebene Akku-Ladegerät verwenden.

Ein für eine bestimmte Art von Akkupack geeignetes Ladegerät kann bei Verwendung mit einem anderen Akkupack ein Brandrisiko verursachen.

##### 5.2 Elektrowerkzeuge nur mit den eigens dafür vorgesehenen Akkupacks verwenden.

Der Gebrauch anderer Akkupacks kann Verletzungs- und Brandrisiken verursachen.

##### 5.3 Wenn das Akkupack nicht verwendet wird, muss es von anderen Metallgegenständen wie Büroklammern, Münzen, Schlüsseln, Nägeln, Schrauben und anderen kleinen Metallobjekten, die eine Verbindung von einem Pol zu einem anderen herstellen können, ferngehalten werden.

Das Verursachen eines Kurzschlusses zwischen den Batteriepolen kann Verbrennungen und Brände verursachen.

##### 5.4 Bei einem unsachgemäßen Gebrauch kann Flüssigkeit aus dem Akku gespritzt werden. Jeder Kontakt mit dieser Flüssigkeit ist zu vermeiden.

Bei einem versehentlichen Kontakt die betroffene Stelle mit Wasser spülen. Wenn die Flüssigkeit darüber hinaus mit den Augen in Kontakt gerät, ist ein Arzt aufzusuchen. Aus dem Akku spritzende Flüssigkeit kann Reizungen oder Verbrennungen verursachen.

#### 6 Instandhaltung

##### 6.1 Das Elektrowerkzeug von einem geschulten Reparaturfachmann unter Verwendung identischer Ersatzteile warten und reparieren lassen.

Dadurch wird die fortwährende Sicherheit des Elektrowerkzeugs gewährleistet.

## Sicherheit umstehender Personen

Dieses Gerät ist nicht zur Verwendung durch Personen (oder Kinder) mit eingeschränkten körperlichen, sensorischen oder geistigen Fähigkeiten sowie unzureichenden Erfahrungen und Kenntnissen vorgesehen, außer wenn sie in Bezug auf den Gebrauch des Geräts von einer für ihre Sicherheit verantwortlichen Person beaufsichtigt oder eingewiesen wurden.

Kinder müssen beaufsichtigt werden, damit sie nicht mit dem Gerät spielen.

## Spezifische Sicherheitshinweise

Das Eindringen von Schmierfett unter die Haut ist eine besonders schwere Verletzung. Den Schlauch nur im Bereich des Feder-schutzes halten. Ein versehentliches Einschalten des Geräts vermeiden. Beim Einsetzen des Akkupacks darf der Schalter nicht gedrückt werden.

Den Schlauch bei den ersten Verschleißerscheinungen, beim Auftreten von Knickstellen oder bei Beschädigungen des Außenmantels ersetzen. Den Schlauch nicht so weit biegen, dass er knickt.

Nicht zu weit nach vorne beugen. Jederzeit auf einen sicheren Stand und die Aufrechterhaltung des Gleichgewichts achten. Bei einem sicheren Stand und der Wahrung des Gleichgewichts kann das Werkzeug beim Auftreten unerwarteter Situationen besser kontrolliert werden.

Eine geeignete Sicherheitsausrüstung verwenden. Stets einen geeigneten Augenschutz tragen.

Wenn die äußeren Bedingungen dies nahe legen, sind Staubmasken, rutschsichere Arbeitsschuhe, Helme oder ein Gehörschutz zu verwenden.

In der Fettpresse kommen Schmiermittel zum Einsatz, die entzündlich oder bei Aufnahme in den Körper giftig sein können. Die Fettpresse nicht in der Nähe offener Flammen oder sonstiger Brandgefahren ver-



wenden. Mit dieser Fettpresse dürfen keine entzündlichen Schmiermittel verwendet werden.

Schmierstoffe werden oft als hochtemperaturbeständig vermarktet, weil sie ihre Schmiereigenschaften auch in Bereichen beibehalten müssen, in denen es sehr heiß wird. Wenn die Temperatur jedoch eine bestimmte Grenze überschreitet, können sich diese Schmiermittel entzünden. Bitte lesen Sie vor Gebrauch dieser Fettpresse alle auf den Schmiermitteln aufgedruckten Warnhinweise. Mit dieser Fettpresse dürfen keine entzündlichen Schmiermittel verwendet werden.

#### ⚠ ACHTUNG

Keinen nicht von SKF genehmigten Schlauch verwenden. Extrem hoher Druck kann ein Bersten der Düsenverlängerung oder der Schlauchpeitsche verursachen.

Den Schlauch bei den ersten Verschleißerscheinungen, beim Auftreten von Knickstellen oder bei Beschädigungen des Außenmantels ersetzen.

Die der Schlauchpeitsche beiliegende Anleitung und die dafür geltenden Warnhinweise beachten. Andernfalls kann es zu schweren oder tödlichen Verletzungen kommen.

#### ⚠ ACHTUNG

Diese Fettpresse kann einen hohen Druck erzeugen. Während des Betriebs Schutzbrille und Schutzhandschuhe tragen. Die Hände vom freiliegenden Gummiteil des Schlauches fernhalten.

Ein Missachten dieses Hinweises kann schwere oder tödliche Verletzungen verursachen.

## Restrisiken

Beim Gebrauch des Werkzeugs können weitere Restrisiken auftreten, die in den beiliegenden Sicherheits- und Warnhinweisen nicht berücksichtigt sind.

Diese Risiken können sich aus Missbrauch, einer langen Verwendung usw. ergeben. Selbst bei Beachtung der einschlägigen Sicherheitsbestimmungen und der Verwendung von Sicherheitsvorrichtungen lassen sich bestimmte Restrisiken nicht vermeiden.

- Verletzungen durch Berühren sich drehender/bewegender Teile
- Verletzungen durch den Austausch von Teilen, Messern oder Zubehör
- Verletzungen durch den überlangen Gebrauch eines Werkzeugs – legen Sie beim längeren Gebrauch eines Werkzeugs regelmäßige Pausen ein.
- Hörbehinderungen
- Gesundheitsgefahren durch das Einatmen des beim Gebrauch des Werkzeugs entstehenden Staubs (z. B. beim Arbeiten mit Holz, besonders Eichen, Buchen und MDF.)

#### ⚠ ACHTUNG

Der beim tatsächlichen Gebrauch des Werkzeugs auftretende Schwingungsemissionswert kann sich je nach der jeweiligen Verwendung des Geräts von dem angegebenen Wert unterscheiden.

Der Schwingungsgrad kann auch über dem angegebenen Grad liegen.

## Schwingungen

Die in den technischen Daten und der Konformitätserklärung angegebenen Schwingungsemissionswerte wurden mit einer Standardprüfmethode nach EN 62841 gemessen und können zum Vergleich mehrerer Werkzeuge miteinander verwendet werden. Der angegebene Schwingungsemissionswert kann auch zu einer vorläufigen Risikobeurteilung herangezogen werden.

Bei der Beurteilung der Vibrationsgefährdung zur Bestimmung der nach 2002/44/EC erforderlichen Sicherheitsmaßnahmen zum Schutz von Personen, die in ihrem Beruf regelmäßig Elektrowerkzeuge verwenden,

muss die Schätzung der Vibrationsgefährdung die tatsächlichen Gebrauchsbedingungen und die Art und Weise des Gebrauchs des Werkzeugs sowie alle Elemente des Betriebszyklus, z. B. die Zeit, während der das Werkzeug ausgeschaltet ist und während der es im Leerlauf läuft, zusätzlich zu der Zeit, während der der Abzug betätigt wird, berücksichtigen.

## Etiketten auf Akku-ladegerät


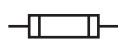
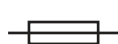

Die folgenden Symbole werden auf dem Werkzeug angezeigt:

#### ⚠ ACHTUNG

Diese Fettpresse erst nach Lektüre der Gebrauchsanleitung in Betrieb nehmen.

Ein Missachten dieses Hinweises kann schwere oder tödliche Verletzungen verursachen.



	Zeitverzögerungs- sicherung, 15A
	IEC
	IEEE/ANSI
	IEEE/ANSI



# Schutz der Umwelt

Sollten Sie eines Tages feststellen, dass Ihr SKF-Produkt ersetzt werden muss oder Sie keine Verwendung mehr dafür haben, darf es nicht im Haushaltsmüll entsorgt werden. Geben Sie dieses Produkt in den Sondermüll.

Örtliche Bestimmungen sehen möglicherweise die Trennung elektrischer Produkte von Haushaltsabfällen in städtischen Mülldeponien oder durch den Einzelhändler vor, wenn Sie ein neues Produkt erwerben.

## HINWEIS

Entsorgung im Sondermüll. Dieses Produkt darf nicht im normalen Haushaltsmüll entsorgt werden.



## HINWEIS

Wenn gebrauchte Produkte und Verpackungen getrennt entsorgt werden, können bestimmte Materialien wiederaufbereitet und wiederverwendet werden.



Mit der Wiederverwendung recycelter Materialien wird die Umweltverschmutzung bekämpft und die Nachfrage nach Rohstoffen gesenkt.

## HINWEIS

Leeren Sie den Akku vollständig und nehmen Sie ihn dann aus dem Werkzeug heraus.



NiCd-, NiMH- und Li-Ion-Akkus können dem Recycling zugeführt werden. Bringen Sie sie zu einer Vertragswerkstatt oder einer örtlichen Wiederaufbereitungsanlage.

# Sicherheits- hinweise für Ladegerät und Akkus

Diese Anleitung enthält wichtige Sicherheits- und Bedienungsanweisungen für die Ladegeräte.

## ⚠ GEFAHR

Die Funktionsfähigkeit des Ladegeräts nicht mit stromführenden Gegenständen prüfen.

Stromschlaggefahr – An den Ladeklemmen des Ladegeräts liegen 120 bis 230 V AC an.

Ein Missachten dieses Hinweises kann schwere oder tödliche Verletzungen verursachen.

## Akku

- Keinen Versuch unternehmen, den Akku zu öffnen.
- Den Akku nicht mit Wasser in Berührung bringen.
- Den Akku nicht an Orten lagern, an denen die Temperatur 40 °C überschreiten kann, z B in Schuppen im Freien oder Metallgebäuden im Sommer.
- Den Akku nur bei Umgebungstemperaturen zwischen 10 °C und 40 °C laden.
- Den Akku nur mit dem im Lieferumfang des Werkzeugs enthaltenen Ladegerät laden.
- Beim Entsorgen des Akkus die Anleitung im Abschnitt Schutz der Umwelt beachten.
- Beim Entsorgen des Akkus die Anleitung im Abschnitt *Schutz der Umwelt* beachten.

## HINWEIS

Einen beschädigten Akku nicht laden. Sofort austauschen.



## HINWEIS

Den Akku keinem Feuer aussetzen.



## ⚠ GEFAHR

Den Akku keinen Flammen oder Funken aussetzen. Batterieflüssigkeiten sind brennbar.

Nicht bespritzen oder in Wasser oder andere Flüssigkeiten eintauchen. Dies kann zu einem vorzeitigen Ausfall der Zellen führen.

Ein Missachten dieses Hinweises kann zu schweren oder tödlichen Verletzungen führen.

## ⚠ GEFAHR

Keinen Versuch unternehmen, den Akkupack zu öffnen. Wenn das Kunststoffgehäuse des Akkupacks beschädigt wird oder Sprünge bekommt, ist das Akkupack in ein Service- und Wartungszentrum zurückzubringen, damit es dem Recycling zugeführt werden kann.

Ein Missachten dieses Hinweises kann zu schweren oder tödlichen Verletzungen führen.

## ⚠ VORSICHT

Akkupacks des Typs mit keinem anderen Ladegerät laden.

Zur Reduzierung des Verletzungsrisikos dürfen zum Laden der SKF- Akkupacks nur SKF- Ladegeräte verwendet werden. Andere Arten von Batterien/Akkus könnten bersten.

Reinigen Sie das Ladegerät nicht, wenn es an eine Steckdose angeschlossen ist.

Ein Missachten dieses Hinweises kann zu schweren oder tödlichen Verletzungen führen.

## Ladegerät

- Vor Gebrauch eines Akku-Ladegeräts die gesamte Anleitung und alle Sicherheitshinweise an dem Akku-Ladegerät, dem Akkupack und dem Produkt lesen, das von dem Akku gespeist wird.
- Das Ladegerät darf weder Regen noch Schnee und auch keinen Temperaturen unter dem Gefrierpunkt ausgesetzt werden.
- Das Kabel schonend behandeln. Das Ladegerät nicht am Kabel tragen und zum Abziehen des Steckers aus der Steckdose nicht am Kabel, sondern stets am Stecker ziehen. Beschädigte oder abgenutzte Netzkabel und Zugentlastungen müssen sofort ersetzt werden. Keinen Versuch zur Reparatur eines Netzkabels unternehmen.
- Sicherstellen, dass das Kabel so verläuft, dass niemand darauf tritt oder darüber stolpert oder dass es etwaigen Beschädigungen oder Belastungen ausgesetzt wird.
- Ein Verlängerungskabel sollte nur benutzt werden, wenn dies absolut notwendig ist. Der Gebrauch eines ungeeigneten Verlängerungskabels kann zu einem Brand- und Stromschlagrisiko führen.
- wenn ihm zuvor ein heftiger Schlag zugefügt, es fallen gelassen oder auf sonstige Weise beschädigt wurde. Das Gerät in diesem Fall in ein autorisiertes Service- und Wartungszentrum bringen.
- Ladegerät und Akkupack nicht auseinanderbauen. Das Ladegerät für eventuell erforderliche Wartungs oder Reparaturmaßnahmen in ein autorisiertes Service und Wartungszentrum bringen. Ein unsachgemäßer Zusammenbau kann ein Stromschlag oder Brandrisiko zur Folge haben.
- Vor jeglicher Reinigung des Ladegeräts dessen Stecker aus der Steckdose ziehen, um das Stromschlagrisiko zu mindern.
- Das Akkupack an einem gut gelüfteten Ort laden. Ladegerät und Akku während des Ladens nicht zudecken.
- Ladegerät und Akkupacks nicht an Orten lagern, an denen die Temperatur 50 °C erreichen oder überschreiten kann (z B Geräteschuppen aus Metall oder Autos im Sommer), weil dies zu einer Leistungsminderung des Speicherakkus führen kann.

# Elektrosicherheit


- Wenn das Netzkabel beschädigt ist, muss es zur Vermeidung von Gefahren vom Hersteller oder einem autorisierten SKF-Wartungszentrum ersetzt werden.

- Das Akkupack nicht aufladen, wenn die Temperatur unter 5°C oder über 40°C liegt. Dies ist für den ordnungsgemäßen Betrieb besonders wichtig.
- Das Akkupack nicht verbrennen, da dieses im Feuer explodieren kann.
- Den Akku nicht an feuchten oder nassen Orten aufladen.
- Die Klemmen des Akkupacks nicht kurzschließen. Extrem hohe Temperaturen können Verletzungen oder einen Brand verursachen.
- Dieses Gerät ist nicht zur Verwendung durch Personen (oder Kinder) mit eingeschränkten körperlichen, sensorischen oder geistigen Fähigkeiten vorgesehen.
- Verbrauchte Akkus sachgerecht entsorgen. Das SKF-Akkupack enthält aufladbare Lithium-Ionen-Batterien, die sachgerecht wieder aufbereitet oder entsorgt werden müssen. Verbrauchte Akkupacks bei einem örtlichen Batteriehandler oder in einem Recycling-Zentrum abgeben.

**HINWEIS**  
Vor Gebrauch die Gebrauchsanleitung lesen.




**HINWEIS**  
Das Ladegerät ist doppelt isoliert, sodass kein Masseleiter erforderlich ist. Stets nachprüfen, ob die Netzspannung der Spannung auf dem Typenschild entspricht. Keinen Versuch unternehmen, den Stecker des Ladegeräts durch einen standardmäßigen Netzstecker zu ersetzen.


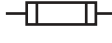
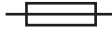



## Etiketten dran Akkuladegerät

Die folgenden Symbole werden auf dem Werkzeug angezeigt:

**HINWEIS**  
Das Ladegerät ist ausschließlich für den Gebrauch in Gebäuden vorgesehen.



	Zeitverzögerungs-sicherung, 15A
	IEC
	IEEE/ANSI
	IEEE/ANSI

# Ladegerät und Akkus

## Sicherheits-hinweise für Ladegerät und Akkus

Diese Anleitung enthält wichtige Sicherheits- und Bedienungsanweisungen für die Akkus TLGB 21-2, TLGB 21-9 und Ladegeräte TLGB 21-5, TLGB 21-6.

### ⚠ ACHTUNG

Vor Gebrauch des Akku-Ladegeräts die gesamte Anleitung und alle Vorsichtshinweise am Akku-Ladegerät (10), dem Akku (9) und den Produkten lesen, die von dem Akku gespeist werden.

Ein Verlängerungskabel sollte nur verwendet werden, wenn dies völlig unumgänglich ist. Der Gebrauch eines ungeeigneten Verlängerungskabels kann zu einem Brand- und Stromschlagrisiko führen. Wenn ein Verlängerungskabel verwendet werden muss, muss dieses einen Querschnitt von 0,823 mm aufweisen (18 AWG). Sicherstellen, dass der Stecker des Verlängerungskabels in puncto Zahl, Größe und Form der Stifte mit dem Stecker des Ladegeräts übereinstimmt. Sicherstellen, dass das Verlängerungskabel ordnungsgemäß verdrahtet ist und es sich in einem einwandfreien elektrischen Zustand befindet.

Den Akkupack selbst dann nicht verbrennen, wenn er stark beschädigt oder vollständig verbraucht ist. Ein brennender Akku kann explodieren.

Wenn das Netzkabel beschädigt ist, muss es zur Vermeidung von Gefahren vom Hersteller, einer Kundendienstvertretung oder von ähnlich qualifizierten Personen ersetzt werden.

Bei einem Missachten dieses Hinweises kann es zu schweren oder tödlichen Verletzungen kommen.

### ⚠ VORSICHT

- Das Ladegerät darf weder Regen noch Schnee und auch keinen Temperaturen unter dem Gefrierpunkt ausgesetzt werden.
- Sicherstellen, dass das Kabel so verläuft, dass niemand darauf tritt oder darüber stolpert oder dass es etwaigen Beschädigungen oder Belastungen ausgesetzt wird.
- Das Ladegerät nicht mit einem beschädigten Kabel oder Stecker in Betrieb nehmen. Beschädigte Ladegeräte sind sofort zu ersetzen.
- Das Ladegerät nicht in Betrieb nehmen, wenn ihm zuvor ein heftiger Schlag zugefügt, es fallen gelassen oder auf sonstige Weise beschädigt wurde.
- Das Ladegerät nicht auseinanderbauen.
- Das Ladegerät kann mit normalem Haushaltsstrom betrieben werden. Keinen Versuch unternehmen, das Ladegerät mit einer anderen Speisespannung zu verwenden.
- Aufeinanderfolgende Ladevorgänge können ein Überhitzen bewirken. Wenn der Akku mehrmals nacheinander aufgeladen werden muss, warten Sie immer ca. 15 Minuten, damit sich das Ladegerät abkühlen kann.
- Keine Fremdkörper in den für den Akku vorgesehenen Schlitz im Ständer des Ladegeräts einführen.
- Den Akku nicht auseinanderbauen.
- Die Baugruppe aus Fettpresse und Akku nicht an Orten lagern, an denen die Temperatur auf 40 °C (104 °F) oder darüber ansteigen kann.
- Den Akku nicht kurzschließen.
- Das Ladegerät nicht in einen Bereich bringen, in dem extreme Hitze oder Kälte herrscht. Am besten funktioniert es bei normaler Zimmertemperatur.

# Beschreibung

Die Fettpressenmodelle TLGB 21/230V und TLGB 21/110V geben erdölbasierte Schmierfette (NLGI 1/ NLGI 2) für allgemeine Schmieranwendungen ab. Jede Fettpresse ist mit einem Elektromotor mit einem dreistufigen Untersetzungsgetriebe sowie mit einem Kurbel-/Gabelmechanismus ausgerüstet, der die Hubkolbenpumpe antreibt. Der Motor wird von einem aufladbaren 20-V-Lithium-Ionen-Akku angetrieben. Eine 1,22 m (48 in) lange Hochdruck-Schlauchpeitsche, eine für starke Belastungen ausgelegte Fettkupplung, ein Ladegerät und ein Schalenkoffer sind im Lieferumfang der Fettpresse enthalten. Des Weiteren sind eine integrierte LED-Taschenlampe, ein zweistufiges elektronisches Getriebe und eine Flüssigkristallanzeige (LCD) mit Hintergrundbeleuchtung vorgesehen. Auf dem LCD befinden sich eine Akku-Ladezustandsanzeige, eine Fettfüllstandsanzeige und ein Schmierfettzähler, und es werden Warnungen vor einem Verlust der Vorfüllung und bei einem Absterben des Motors eingeblendet.

Die Fettpresse kann per Funk mit Mobiltelefonen kommunizieren, die die SKF-App per Bluetooth(BT) (TLGB 40-10, separat erhältlich)-Modul verwenden. Das BT-Modul (TLGB 40-10) muss oben auf der Presse und nicht auf der abnehmbaren Staubabdeckung (5) montiert werden.


Der Stecker ist während des Normalgebrauchs von einer Staubkappe abgedeckt.

Jedes Fettpressenmodell ist zum Befüllen mit 3 Methoden vorgesehen: Kartusche, Ansaugung und Ladepumpe.

Die Fettpressen verfügen über eine Druckfeder und ein Entlüftungsventil zur Unterstützung der Vorfüllung.

Tabelle 1

## Technische Daten

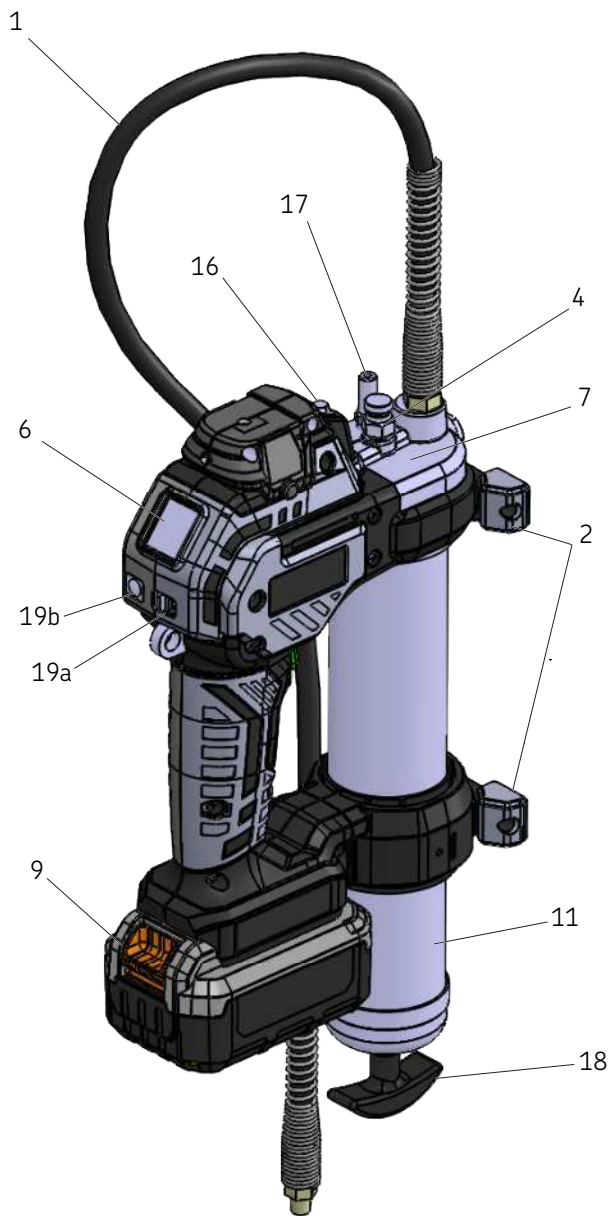
Füllvermögen des Schmiermitteltanks	
Mengenbehälter	454 g (16 oz)
Patronengröße	397 g (14 oz)
Hose assembly	
Nenndruck	689 bar (10 000 psi)
Schlauchlänge	122 cm (48 in)
Betriebsstrom	14.5 to 20 V 
Gewicht	2,9 kg (6.3 lbs)
Maximaler Spitzendruck	689 bar (10 000 psi)
Maximaler Betriebsdruck:	413 bar (6 000 psi)
Fließrate <sup>1)</sup>	
Hohe Förderleistung	170 g/min (6 oz/min)
Niedrige Förderleistung	113 g/min (4 oz/min)
Zählergenauigkeit <sup>1) 2)</sup>	
Schnelle Geschwindigkeit	±3%
Langsame Geschwindigkeit	±4%
Zählermessbereich	0 bis 999 g (0.0 bis 999 oz)

Schalldruckpegel (LpA) 71,5 dB(A), Messunsicherheit (K) 3 dB(A). Schalleistungspegel (LwA) 82,5 dB(A), Messunsicherheit (K) 3 dB(A). Schwingungsemissionswert (ah) 0,9 m/s<sup>2</sup>, Messunsicherheit (K) 1,5 m/s<sup>2</sup>.

<sup>1)</sup> NLGI 2 EP Lithiumfett (relative Dichte von 0,92) bei 24 °C (75 °F); Abgabe durch im Lieferumfang enthaltene Schlauchbaugruppe mit Fettkupplung gegen Zusatzdruck von 10 bar (150 psi) (simuliert Schmiernippel mit Kugelventil).

<sup>2)</sup> Die angegebene Zählergenauigkeit setzt die Verwendung von NLGI 2 EP Lithiumfett (relative Dichte von 0,92) bei 24 °C (75 °F) voraus.



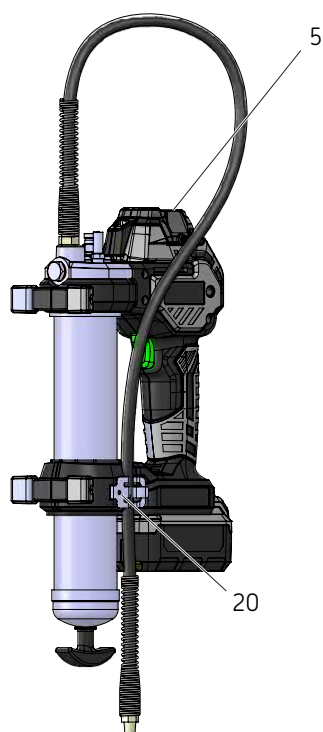


Artikel	Beschreibung	Artikel	Beschreibung
1	Schlauch	11	Fetrohreinheit
2	Unterstützung	16	LED-Leuchtanzeige
4	Entlüftungsventil	17	Großventil
6	Bedientaste	18	Kolbengriff
7	Pumpenbaugruppe	19a	Schiebeschalter
9	Akku	19b	Reset-Knopf

## Modelle

Verkaufsmodell	Beschreibung	Ladegerät	Tragetasche
TLGB 21/230V	Batteriegeladete Fettpresse 20V	220 VAC/20V  -50/60 Hz	Ja
TLGB 21/110V	Batteriegeladete Fettpresse 20V	110 VAC/20V  -50/60 Hz	Ja

Abb. 2



TLGB 21 - Standard  
(ohne Bluetooth-Modul)

Artikel	Beschreibung
5	Staubschutzhaube
20	Schlauchhalter

## Funktion der roten und grünen Lichter am Ladegerät

Wenn das Ladegerät eingeschaltet ist, blinkt das grüne Licht einmal.

## Funktion des Ladegeräts





Sicherstellen, dass die Spannung des Stromkreises mit der auf dem Typenschild des Ladegeräts angegebenen Spannung übereinstimmt. Sicherstellen, dass der Akku korrekt mit den Kontakten des Ladegeräts verbunden ist.

Der Akku erwärmt sich beim Laden geringfügig. Das ist völlig normal und weist nicht auf ein Problem hin.

## Lassen Sie den Akku im Ladegerät

Der Akku kann bei grün leuchtender LED-Anzeige auf unbegrenzte Zeit mit dem Ladegerät verbunden bleiben. Das Ladegerät verfügt über einen automatischen Tune-Up-Modus, sodass es mit maximaler Kapazität betrieben werden kann. Die Akkus wöchentlich bzw. immer dann warten, wenn sie nicht mehr dieselbe Leistung erbringen. Zur Verwendung des automatischen Tune-Up-Modus den Akku mindestens 8 Stunden lang in das Ladegerät einsetzen.

Tabelle 3

LED-Anzeige	
LED-Licht	Beschreibung
Blinkt grün 	Akku wird geladen
Leuchtet stetig grün 	Ladevorgang ist abgeschlossen
Rote Anzeige blinkt bei 4 Hz 	Schlechter Batteriezustand. Das Ladegerät hat einen schwachen oder beschädigten Akku festgestellt. Den Akku nicht weiter laden. Zu einem Kundendienstzentrum zurückbringen oder zum Recycling bei einer Sammelstelle abgeben (rote Anzeige blinkt bei 4 Hz).
Rote Anzeige blinkt bei 1 Hz/5 Hz 	Das Ladegerät hat einen zu heißen/zu kalten Akku festgestellt. Es veranlasst automatisch eine Verzögerung, bis sich die Temperatur des Akkus normalisiert. Wenn der Akku eine Temperatur zwischen 4 °C (40 °F) und 40 °C (104 °F) erreicht, schaltet das Ladegerät automatisch in den Lademodus um. Für ein Überhitzen des Akkus gibt es folgende Ursachen: <ul style="list-style-type: none"> <li>• Langer Dauerbetrieb</li> <li>• Hohe Umgebungstemperatur</li> <li>• Beschädigung von einer oder mehreren Zellen</li> </ul>



# Gebrauch und Pflege des Werkzeugs

## Lager

- Trockener, staubfreier Ort
- Gut gelüfteter Raum
- Haltbarkeit: maximal 24 Monate
- Relative Luftfeuchtigkeit: <75 %
- Lagertemperatur: +10 bis +40 °C (+50 bis +104 °F)
- Keine direkte Sonneneinstrahlung oder UV-Strahlung
- Schutz vor Wärme- oder Kältequellen in der Umgebung.

## Transport

Das Produkt muss ungeachtet des Transportmittels und der Entfernung im Originalbehälter des Herstellers transportiert werden.

Die Produkte sind mit Materialien, die vor Beschädigung und Verlust schützen, in geeigneten Behältern zu verpacken, um ihre Sicherheit während des Umladens, des Transports und der Lagerung zu gewährleisten.

## Fettpresse laden

### HINWEIS

Informationen zur Identifizierung der Komponenten finden Sie in der Teileliste, **Siehe 23**, zu den folgenden Verfahren.

## Kartusche laden

- 1 Zylinder (11) abschrauben  
Fettpresse (→ **Abb. 3**).
- 2 Die Stößelstange (18) herausziehen und darauf achten, dass die Nut an der Stößelstange (18) in die Vertiefung im Zylinderverschluss (21) eingreift.
- 3 Die Kunststoffabdeckung von der Fettkartusche abnehmen und entsorgen.
- 4 Tragen Sie Fett auf die Innenseite der Patrone auf. Dies ist nur für neue Fettpresse erforderlich.
- 5 Die Kartusche (mit dem offenen Ende zuerst) in den Zylinder (11) schieben, bis der Metallvorsprung einrastet.  
5.1 Die Kunststoffabdeckung von der Kartusche abnehmen und entsorgen.

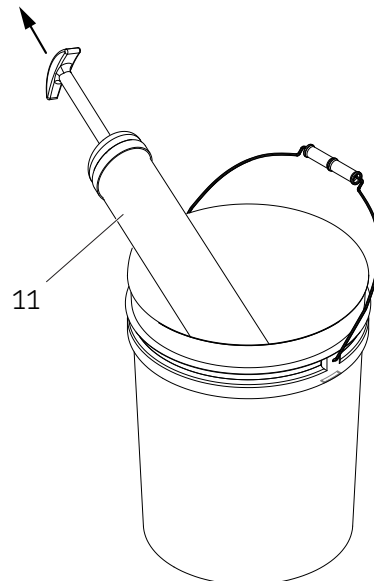
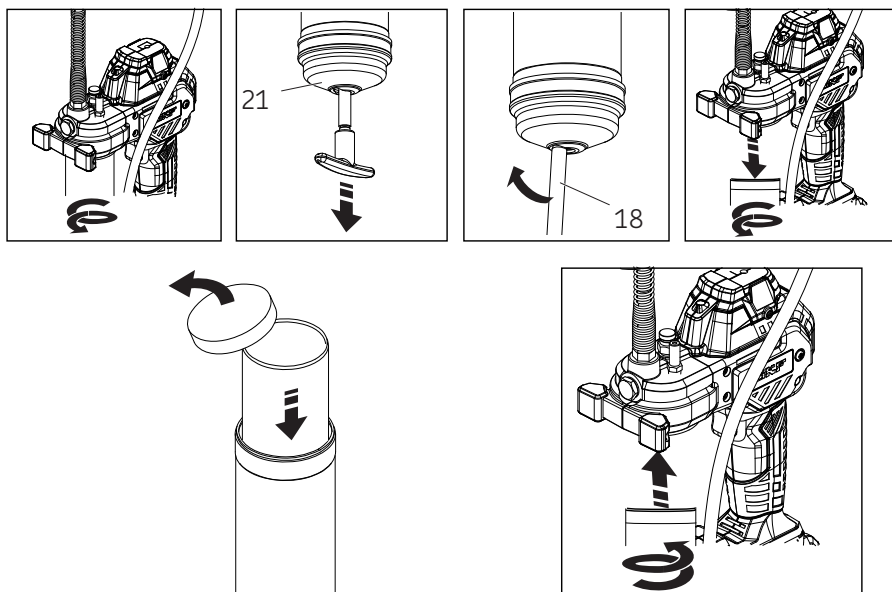
- 6 Zylinder (11) auf Fettpresse schrauben.
- 7 Die Stößelstange (18) aus der Vertiefung im Zylinderverschluss (21) lösen.  
7.1 In Zylinder (11) schieben.

## Lastabsaugung

- 1 Zylinder (11) abschrauben  
Fettpresse (→ **Abb. 3**).
- 2 Zylinderkopf (11) in Fett einführen.
- 3 Ziehen Sie die Kolbenstange (18) langsam vom Zylinderdeckel (21) nach außen, bis die Nut sichtbar ist.
- 4 Verbinden Sie die Nut in der Kolbenstange (18) mit dem Schlitz in der Zylinderkappe (21).
- 5 Zylinder (11) in Fettpresse einschrauben.
- 6 Die Stößelstange (18) aus der Vertiefung im Zylinderverschluss (21) lösen.  
6.1 Mitnehmerstange (18) in Schmierzylinder (11) schieben.

Abb. 3

### Kartusche laden und Lastabsaugung



## Ladepumpe

- 1 An der Kolbenstange (**18**) ziehen und die Stange drehen, sodass der Mitläufer eingreift (→ **Abb. 3, Seite 18**).
- 2 Den Nippelsatz in die Ladepumpenkupplung einsetzen.
  - 2.1 Nach unten drücken, damit das Kupplungsventil offen bleibt.
- 3 Die Pumpe betreiben und die Bewegung der Kolbenstange (**18**) beobachten.
- 4 Den Pumpenbetrieb beenden, sobald die Nut in der Kolbenstange (**18**) zu sehen ist.
- 5 Hebel (**18**) ausfahren Behälterrohr.
- 6 Füllen Sie die Füllpumpe, um den Zylinder (**11**) zu füllen.

### HINWEIS

Der Nippelsatz an der Fettpresse muss zur Ladepumpenkupplung passen. Wenn diese Komponenten nicht kompatibel sind, funktioniert die Pumpe nicht.

## Fettpresse vorfüllen

In den meisten Fällen wird die Fettpresse einfach durch mehrfaches Bedienen des Abzugs vorgefüllt. Falls kein Schmierfett austritt, muss die Presse entlüftet werden.

## Vorfüllen erzwingen

Durch dieses Verfahren wird die Freisetzung der Luft durch das Entlüftungsventil manuell unterstützt.

- 1 An der Kolbenstange (**18**) ziehen und die Stange drehen, sodass der Mitläufer eingreift (→ **Abb. 3, Seite 18**).
- 2 Das Entlüftungsventil durch Zurückdrehen des Ventilschafts um ca. zwei Umdrehungen öffnen.
- 3 Auf die Kolbenstange (**18**) drücken.
- 4 Nach dem vollständigen Entlüften den Schaft des Entlüftungsventils wieder anziehen.
- 5 Die Presse mehrere Male betätigen.
- 6 Sobald Schmierfett austritt, die Kolbenstange (**18**) vom Mitläufer ablösen und in den Fettzylinder (**11**) hineindrücken.

## Verunreinigung des Rückschlagventils

Das Auslassrückschlagventil kann in der offenen Stellung gehalten werden, falls sich die Presse nicht vorgefüllen lässt. Den Stöpsel (**22**) entfernen; die Kugel (**23**) und den Sitz der Kopfbaugruppe reinigen (→ **Abb. 4**).

## Bedienung

Der Akku (**9**) verfügt beim Versand des Produkts nur über eine geringe Ladung. Er ist vor Gebrauch zu laden.

- Einzelheiten dazu sind dem Abschnitt zur Funktion des Akku-Ladegeräts zu entnehmen.

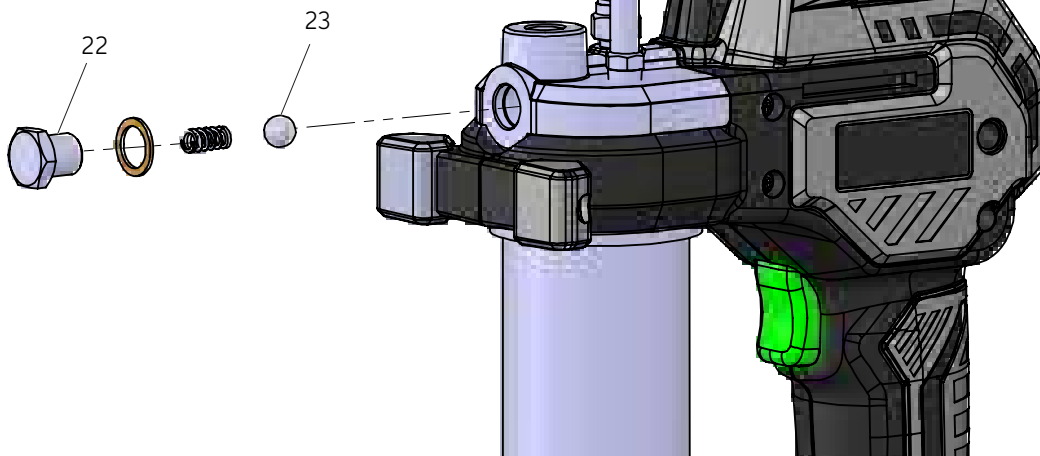


Abb. 4

#### HINWEIS

Eine in der Fettpresse installierte Software schützt den Motor. Die Software schaltet die Stromversorgung des Motors ab. Wenn ein Blockieren des Lagers, der Leitung oder des Schmier-nippels zu einem Absterben des Pressenmotors führt, erscheint auf der LCD-Anzeige eine durchgehend rote Hintergrundbeleuchtung. In diesem Fall ist der Abzug sofort loszulassen.

Zur Maximierung der Lebensdauer des Motors ist ein Betrieb der Fettpresse mit abgestorbenem Motor zu vermeiden.

Ein Missachten dieses Hinweises kann Sachschäden verursachen.

#### HINWEIS

Die Fettpresse entwickelt einen Druck von ca. 483 bar (7.000 psi), bevor die Software in den Stillstandsmodus schaltet und die Stromversorgung des Motors abschaltet. Die Presse bleibt 3 Sekunden lang im Stillstandsmodus, bevor dem Motor wieder Strom zugeführt wird.

Die Presse kommt ein weiteres Mal zum Stillstand, wenn der Abzug dauerhaft betätigt wird, sodass der Motor einen Druck von 586 bis 724 bar (8.500 bis 10.500 psi) entwickelt.

Den Abzug loslassen, damit sich die Presse vor der Fortsetzung des Betriebs 3 Sekunden lang abkühlen kann.

## Wahl der Pumpengeschwindigkeit

Die Fettpresse ist mit einem zweistufigen Elektronikgetriebe ausgerüstet, das eine hohe bzw. niedrige Fließrate ermöglicht. Die Geräteleistung bei jeder Getriebebestufe ist in den technischen Daten angegeben. Bei der hohen Geschwindigkeitsstufe erscheint auf dem Schiebeselector (**19a**) die Ziffer **2** (→ **Abb. 5**). Der maximale Druck kann sowohl auf Stufe **2** (hohe Geschwindigkeit) als auch auf Stufe **1** (niedrige Geschwindigkeit) erreicht werden.

#### HINWEIS

Die Fettpresse schaltet bei ca. 241 bar (3.500 psi) automatisch von niedriger Geschwindigkeit **1** auf hohe Geschwindigkeit **2** um, um einen höheren Druck zu erreichen.

## LCD-Funktionen

Die Flüssigkristallanzeige (LCD) (**6**) bietet einen elektronischen Schmierfettzähler, eine Fettfüllstandsanzeige und eine Akku-Ladezustandsanzeige. Zum einschalten (**ON**) der LCD einmal die Rücksetztaste (**19b**) antippen (→ **Abb. 5**).

Zum Aufrufen des Rücksetzmodus die Rücksetztaste (**19b**) drücken und gedrückt halten. Nach 2 Sekunden beginnen die Maßangaben (oz/g) der Zähler- und der Zylinder-Fettstandsanzeige zu blinken.

Durch das Loslassen der Rücksetztaste (**19b**) bei blinkender Fettzähleranzeige wird der Zähler auf null zurückgesetzt. Durch das Loslassen der Taste bei einer blinkenden Zylinder-Fettstandsanzeige wird diese auf „voll“ zurückgesetzt. Durch das Loslassen der Taste bei blinkender Maßeinheit wird diese geändert.

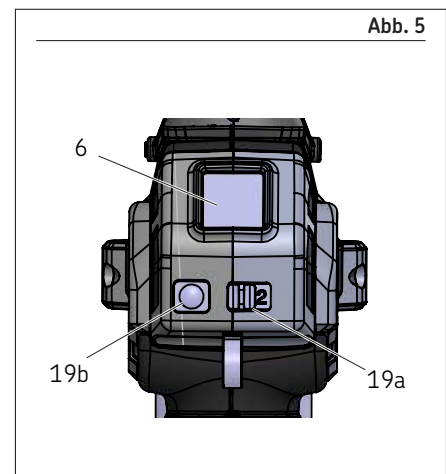
## Anzeige eines abgestorbenen Motors

Während eines Motorstillstands (bei einem Verstopfen des Schmiernippels oder der Leitung) stellt die Presse das Pumpen von Schmierfett ein und auf der LCD-Anzeige (**6**) erscheint eine rote Hintergrundbeleuchtung. In diesem Fall ist der Abzug sofort loszulassen. Vor dem Versuch, Schmierfett in das System abzugeben, ist der Fettkanal zu überprüfen, zu reinigen und ggf. zu reparieren.

## Anzeige eines Verlusts der Vorfüllung

Zu einem Verlust der Vorfüllung kommt es dann, wenn Luft im Schmierfett eingeschlossen oder der Fettzylinder leer ist. In diesem Fall blinkt die LCD-Anzeige rot, was darauf verweist, dass die Presse kein Schmierfett pumpt. Während eines Verlusts der Vorfüllung zählt der Schmierfettzähler keine leeren Kolbenhübe.

Abb. 5



# Installieren Sie das Bluetooth-Modul

- 1 Die Schraube (24), wie in **Abb. 6** gezeigt, entfernen.
- 2 Die Staubkappe (5a) entfernen und für eine spätere Wiederverwendung aufbewahren.
- 3 Das Bluetooth-Modul (5b) oben so auf die Fettpresse schieben, dass der Steckverbinder auf den Stromstecker (25) der Fettpresse weist.
- 4 Die Schraube (24) in die Seite des Bluetooth-Moduls (5b) eindrehen und festziehen.
- 5 Die Telefonhalterung (14) oben auf das Bluetooth-Modul (5b) aufsetzen.
- 6 Die Schraube (15) durch die Telefonhalterung (14) drehen und am Bluetooth-Modul (5b) befestigen.

## HINWEIS

Die Lüftungsschlitze in Werkzeug und Ladegerät regelmäßig mit einer weichen Bürste oder einem trockenen Tuch reinigen.

Das Motorgehäuse regelmäßig mit einem feuchten Tuch reinigen.

# Wartung

Dieses Produkt ist auf einen vieljährigen Betrieb bei einem minimalen Wartungsaufwand ausgelegt.

Ein durchwegs zufriedenstellender Betrieb hängt von der richtigen Pflege des Werkzeugs und regelmäßigen Reinigungen ab.

Abgesehen von einer regelmäßigen Reinigung muss das Ladegerät nicht weiter gewartet werden.

# Taschenlampe

Zum einschalten (**ON**) der Taschenlampe einmal die Rücksetztaste antippen. Wenn der LCD-Bildschirm nicht bereits einschaltet (**ON**) ist, muss die Taschenlampe zum einschalten (**ON**) zweimal angetippt werden.

Zum ausschalten (**OFF**) der Taschenlampe die Rücksetztaste einmal antippen. Die Taschenlampe schaltet sich nach 20 Sekunden automatisch aus (**OFF**), außer wenn zum Abgeben von Schmierfett der Abzug betätigt wird. Wenn zum Betätigen der Presse der Abzug gedrückt wird, bleibt die Taschenlampe nach dem Loslassen des Abzugs 20 Sekunden lang einschaltet (**ON**).

## ⚠ ACHTUNG

Vor Durchführung von Wartungsarbeiten an der Fettpresse den Akku entfernen.



Das Ladegerät vor dem Reinigen vom Netz nehmen.

Ein Missachten dieses Hinweises kann schwere oder tödliche Verletzungen verursachen.



## Fehlerbehebung

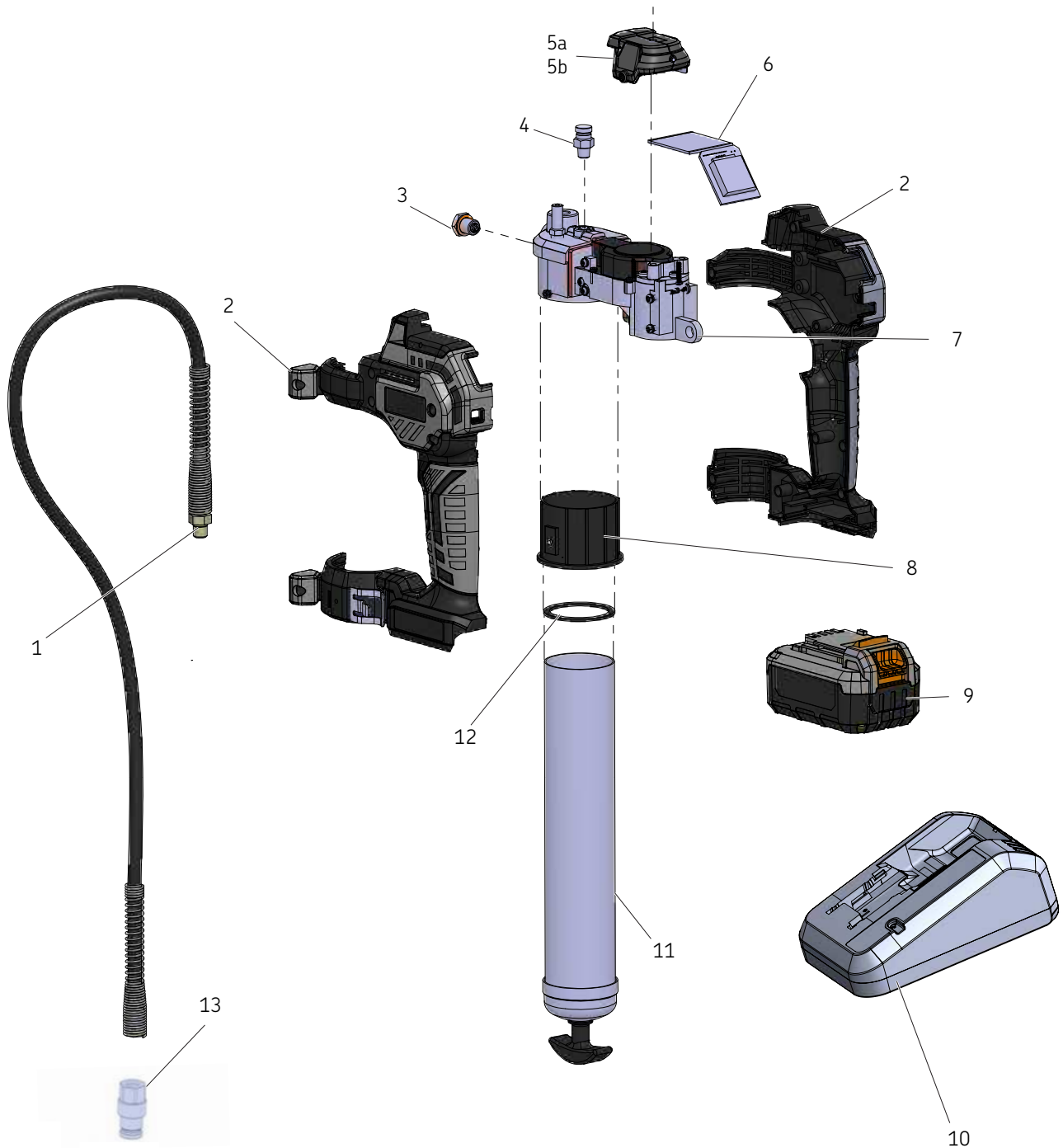
Zustand	Mögliche Ursache	Korrekturmaßnahme
Fettpresse gibt kein Schmierfett ab.	Kein Fett in Fettrohreinheit mehr.	Prüfen, ob sich in der Fettrohreinheit Fett befindet
	Verlust der Vorfüllung.	Vorfüllverfahren wiederholen.
	Kugelrückschlagventil (23) funktioniert nicht.	Kugelrückschlagventil, ausbauen, reinigen und Kugelsitzbereich (23) inspizieren.
	Verstopfte Schlauchpeitsche.	Schlauchpeitsche reinigen oder ersetzen.
Display blinkt wegen Motorüberlastung rot.	Blockierter Schmiernippel.	Blockierungen entfernen.
	Verstopfte Schlauchpeitsche.	Schlauchpeitsche reinigen oder ersetzen.
Fettpresse verliert weiterhin an Vorfülldruck.	Nach einer Mengenbefüllung ist evtl. an mehreren Stellen im Behälter Luft eingeschlossen.	Fettrohreinheit leeren, wieder auffüllen und Vorfüllverfahren nach Anleitung wiederholen.
	Kolben steckt in Fettrohreinheit fest.	Fettrohreinheit auseinanderbauen und reinigen. Sicherstellen, dass der Kolben richtig in die Fettkartusche eingeführt wird.  Prüfen, ob der Kolben am Rand der Fettkartusche feststeckt.  Fettrohreinheit, falls beschädigt, ersetzen.
	Kugelsitz (23) und Kugelventil sind verschmutzt.	Kugelventil und Kugelventilsitz (23) reinigen.
Akku hält die Ladung nicht.	Ladegerät wird nicht mit Strom versorgt.	Prüfen, ob an der Steckdose Strom anliegt.
	Akku ist evtl. defekt.	Akku ersetzen.
	Akku muss geladen werden.	Akku aufladen.
Motor nicht ausgeführt.	Fehlerhafte Verdrahtung zum Motor.	Akku herausnehmen, Griff auseinanderbauen und Anschlüsse an Klemme, Abzugsschalter und Motor prüfen.

### Ersatzteil-/Teilesatzliste

Teilnummer	Beschreibung
TLGB 21-1	Rückschlagventil (TLGB)
TLGB 21-2	Batterie SKF Lithium 20V 2.5 Ah
TLGB 21-3	1219 mm langer Schlauch mit Kupplung
TLGB 21-4	Schlauchsatz einfetten (TLGB)
TLGB 21-5	Ladegerät SKF 2A 230 V AC / 20V 
TLGB 21-6	Ladegerät SKF 2A 120 V AC / 20V 
TLGB 21-9	Batterie SKF Lithium 20V 4.0 Ah

### Ersatzteil

Artikel	Beschreibung
1	Schlauchleitung einfetten
2	Gehäuse (Griff)
3	Rückschlagventil
4	Entlüftungsventil
5a	Staubkappe (TLGB 21)
5b	Bluetooth-Modul (TLGB 40-10)
6	Display/Leiterplatte
7	Pumpe
8	Fettrohr-Abstandshalter mit Schraube
9	Batterie, 20 V  2.5Ah Batterie, 20 V  4.0Ah
10	Ladegerät Akku (120 V AC / 60 Hz) Ladegerät Akku (230 V AC / 50 Hz)
11	Zylinderbaugruppe einfetten
12	Dichtung
13	Fettkupplung
14	Telefonhalter
15	Schraube



## Ausführliche Bedienungsanleitung

Eine ausführliche Bedienungsanleitung finden Sie unter diesem Link  
-> [qr.skf.com/lm/Lub-tools/TLGB-21/](https://qr.skf.com/lm/Lub-tools/TLGB-21/)  
oder kontaktieren Sie Ihre SKF Niederlassung oder Ihren SKF Vertragshändler.



## Gewährleistung

Die Anleitung enthält keine Aussagen zur Gewährleistung. Diese entnehmen Sie unseren Allgemeinen Geschäftsbedingungen auf [www.skf.com/Schmierung](https://www.skf.com/Schmierung).



[skf.com](https://www.skf.com)

© SKF ist eine eingetragene Marke der SKF Gruppe.

© SKF Group 2024  
Nachdruck, auch auszugsweise, nur mit unserer vorherigen schriftlichen Genehmigung gestattet.  
Die Angaben in dieser Druckschrift wurden mit größter Sorgfalt auf ihre Richtigkeit hin überprüft.  
Trotzdem kann keine Haftung für Verluste oder Schäden irgendwelcher Art übernommen werden,  
die sich mittelbar oder unmittelbar aus der Verwendung der hier enthaltenen Informationen ergeben.

Oktober 2024 · Bilden MP5499DE Version 2



# Pistola engrasadora accionada por batería

Modelos TLGB 21/230V, TLGB 21/110V



Fecha de publicación **octubre 2024**

Número de formulario **MP5499**

Versión **2**

# Contenido

<b>Declaración de conformidad</b> . . . . .	<b>3</b>
<b>Señales de seguridad</b> . . . . .	<b>6</b>
<b>Instrucciones de seguridad</b> . . . . .	<b>7</b>
Advertencias de seguridad generales para herramientas eléctricas . . . . .	7
Seguridad de otros . . . . .	8
Seguridad específica . . . . .	8
Riesgos residuales . . . . .	9
Vibration . . . . .	9
Etiquetas en cargador de batería . . . . .	9
Protección del medio ambiente . . . . .	10
Instrucciones de seguridad para la batería y el cargador . . . . .	11
Baterías . . . . .	11
Cargador . . . . .	11
Seguridad eléctrica . . . . .	12
Batería y el cargador . . . . .	13
Instrucciones de seguridad para la batería y el cargador . . . . .	13
<b>Descripción</b> . . . . .	<b>14</b>
Especificaciones . . . . .	14
Modelo de ventas . . . . .	16
Función de luces rojas y verdes en el cargador . . . . .	17
Operación del cargador . . . . .	17
Deje la batería en el cargador . . . . .	17
Pantalla LED . . . . .	17
<b>Uso y cuidado de las herramientas</b> . . . . .	<b>18</b>
Cargar pistola engrasadora . . . . .	18
Cargar cartucho . . . . .	18
Carga de succión . . . . .	18
Bomba del cargador . . . . .	19
Cebado . . . . .	19
Cebado forzado . . . . .	19
Operación . . . . .	20
Selección de velocidad . . . . .	20
Funciones LCD . . . . .	20
Linterna . . . . .	21
Mantenimiento . . . . .	21
<b>Resolución de problemas</b> . . . . .	<b>22</b>
<b>Lista de piezas/juegos de servicio</b> . . . . .	<b>23</b>
<b>Piezas de repuesto</b> . . . . .	<b>24</b>
<b>Instrucciones detalladas</b> . . . . .	<b>28</b>
<b>Garantía</b> . . . . .	<b>28</b>



## Declaración de conformidad

DOCUMENTO  
MP5499.Doc

**Nombre/Dirección del fabricante:**

**SKF MPT**

Meidoornkade 14, 3992  
AE Houten, Los países bajos

TEL: +1 (31) 610136775

CORREO ELECTRÓNICO: [andrea.gondova@skf.com](mailto:andrea.gondova@skf.com) URL: [www.skf.com](http://www.skf.com)



Esta Declaración de conformidad se usa bajo responsabilidad exclusiva del fabricante. SKF MPT declara por el siguiente que la maquinaria parcialmente completada indicada abajo:

Nombre: Pistola de engrase  
Números de pieza: TLGB 21  
Descripción: Pistola engrasadora accionada por batería  
Números de pieza: TLGB 40-10  
Descripción: Módulo Bluetooth  
Año de la marca CE: 2022

En su uso previsto, cumplen con la legislación de armonización pertinente de la Unión Europea:

Directiva de máquinas 2006/42/UE

Compatibilidad electromagnética 2014/30/UE (CEM)

Sustancias peligrosas 2011/65/UE (RoHS2)

Y cumple con las siguientes normas armonizadas:

EN 55014-1:2017+A11:2020  
Compatibilidad electromagnética - Requisitos para electrodomésticos, herramientas eléctricas y aparatos similares - Parte 1: Emisión

EN 55014-2:2015  
Compatibilidad electromagnética - Requisitos para electrodomésticos, herramientas eléctricas y aparatos similares - Parte 2: Inmunidad - Norma de familia de productos

EN 62841-1:2015  
Herramientas manuales, herramientas transportables y maquinaria para césped y jardín accionadas por motor eléctrico. Seguridad. Parte 1: Requisitos generales.

EN CEI 63000:2018  
Documentación técnica para la evaluación de productos eléctricos y electrónicos con respecto a la restricción de sustancias peligrosas

EN 301 489-17 :2020  
estándar de compatibilidad electromagnética (EMC) para equipos y servicios de radio; Parte 17: Condiciones específicas para Sistemas de Transmisión de Datos de Banda Ancha; Norma Armonizada de Compatibilidad Electromagnética

EN 301 489-1 :2019  
estándar de compatibilidad electromagnética (EMC) para equipos y servicios de radio; Parte 1: Requisitos técnicos comunes; Norma Armonizada de Compatibilidad Electromagnética

EN 62479: 2010  
Evaluación del cumplimiento de los equipos eléctricos y electrónicos de baja potencia con las restricciones básicas relacionadas con la exposición humana a campos electromagnéticos

El fabricante mantiene un archivo de construcción técnico que contiene informes de prueba y documentación del producto:

Nº de hoja de resumen de archivo técnico: RAMP5499XX

RoHS2 -Nº de hoja de resumen de archivo técnico: RoHSMP5499XX

Yo, el abajo firmante de SKF, por la presente declaro que el equipo especificado anteriormente, en su uso previsto, cumple con los requisitos de las normas armonizadas anteriores.

Andrea Gondova  
Gerente de cumplimiento de productos  
AE Houten, Los países bajos  
2022/06/17

# Señales de seguridad

## NOTA

Hace hincapié en recomendaciones útiles así como en información para una operación eficiente y sin problemas.

## PRECAUCIÓN

Indica una situación peligrosa que puede ocasionar lesiones personales leves o daños materiales si no se toman medidas de precaución.

## ADVERTENCIA

Indica una situación peligrosa que puede ocasionar lesiones personales graves o leves si no se toman medidas de precaución.

## PELIGRO

Indica una situación peligrosa que puede ocasionar lesiones personales graves o la muerte si no se toman medidas de precaución.

## ADVERTENCIA

No opere los equipos sin leer ni entender completamente las advertencias e instrucciones de seguridad.



De no seguir las instrucciones y las precauciones de seguridad se pueden producir lesiones mortales o graves.

## PRECAUCIÓN

No opere los equipos sin equipos protectores personales puestos.

Lleve protectores para los ojos. Los equipos protectores como la máscara contra el polvo, los zapatos de seguridad antideslizantes, el casco o los protectores de oídos usados para condiciones apropiadas reducirán las lesiones personales.

El incumplimiento puede resultar en lesiones personales leves.



## ADVERTENCIA



Asegúrese de que ninguna parte del cuerpo quede atrapada por los dispositivos.

Las piezas del cuerpo pueden quedar atrapadas en los subconjuntos durante el funcionamiento.

De no cumplir con esto se podrían producir lesiones personales graves o la muerte.

## ADVERTENCIA



No permita que el líquido se derrame al piso cuando opere el equipo. Si se produce un derrame, limpie cualquier líquido del piso antes de continuar con la operación.

De no cumplir con ello se pueden producir lesiones personales.

## ADVERTENCIA

No use este equipo para suministrar, transportar o almacenar sustancias y mezclas peligrosas según el anexo I parte 2-5 de la norma CLP (EG 1272/2008) o HCS 29 CFR 1910.1200 marcada con los pictogramas de peligro GHS01, GHS06 y GHS08 mostrados:



# Instrucciones de seguridad

## Advertencias de seguridad generales para herramientas eléctricas

### ⚠ ADVERTENCIA

Lea todas las advertencias e instrucciones de seguridad. De no seguir las advertencias e instrucciones se puede producir una descarga eléctrica, un incendio o lesiones graves.



Guarde todas las advertencias e instrucciones como referencia. El término herramienta eléctrica en las advertencias se refiere a su herramienta eléctrica enchufada (con cordón) u operada con baterías (sin cordón).

### 1 Seguridad en el área de trabajo

- 1.1 Mantenga el área de trabajo limpia y bien iluminada.** Las áreas abarrotadas u oscuras son propicias a accidentes.
- 1.2 No opere las herramientas eléctricas en atmósferas explosivas, como en presencia de líquidos inflamables, gases o polvo.** Las herramientas eléctricas producen chispas que pueden inflamar el polvo o los vapores.
- 1.3 Mantenga alejados a los niños y espectadores mientras se esté operando una herramienta eléctrica.** Las distracciones pueden hacer que pierda el control.

### 2 Seguridad eléctrica

- 2.1 Los enchufes de las herramientas eléctricas deben corresponder con la toma de corriente. No modifique nunca el enchufe de ninguna manera. No use ningún enchufe adaptador con las herramientas eléctricas conectadas a tierra.** Los enchufes sin modificar y las tomas correspondientes reducirán el riesgo de descarga eléctrica.
- 2.2 Evite el contacto del cuerpo con las superficies conectadas a tierra, como tubos, radiadores, hornillos de cocina y refrigeradores.** Hay un mayor riesgo de descarga eléctrica si su cuerpo está conectado a tierra.
- 2.3 No exponga las herramientas eléctricas a la lluvia o condiciones húmedas.** La entrada de agua en una herramienta eléctrica aumentará el riesgo de descarga eléctrica.
- 2.4 No abuse el cordón. No use nunca el cordón para llevar, tirar ni desenchufar la herramienta eléctrica. Mantenga alejado el cordón de lugares calientes, aceite, bordes afilados o piezas móviles.** Los cordones dañados o enredados aumentan el riesgo de descarga eléctrica.
- 2.5 Al operar una herramienta eléctrica al aire libre, use un cordón de alargamiento adecuado para usar al aire libre.** El empleo de un cordón adecuado para uso al aire libre reduce el riesgo de descarga eléctrica.
- 2.6 Si la operación de una herramienta eléctrica en una ubicación húmeda no se puede evitar, use un suministro protegido por dispositivo de corriente residual (RCD).** El uso de un RCD reduce el riesgo de descarga eléctrica.

### 3 Seguridad personal

- 3.1 Esté alerta, observe lo que está haciendo y use el sentido común al operar una herramienta eléctrica. No use una herramienta eléctrica si está cansado o bajo la influencia de drogas, alcohol o medicamentos.** Un momento de falta de atención durante la operación de las herrami-

entas eléctricas puede producir lesiones personales graves.

- 3.2 Use equipos de protección personal. Lleve siempre protectores en los ojos.** Los equipos protectores como máscaras contra el polvo, zapatos de seguridad antirresbaladizos, casco o protectores para los oídos usados para las condiciones apropiadas, reducirán las lesiones personales.
- 3.3 Impida los arranques no intencionados. Asegúrese de que el interruptor esté en la posición de apagado antes de conectar a la fuente de alimentación o al grupo de baterías, recogiendo o transportando la herramienta.** El transporte de herramientas eléctricas con el dedo en el interruptor o la activación de herramientas eléctricas que tienen el interruptor pueden provocar accidentes.
- 3.4 Quite cualquier llave antes de encender la herramienta.** Una llave dejada sujeta a la pieza en movimiento de la herramienta eléctrica puede provocar lesiones personales.
- 3.5 No extienda el brazo demasiado. Mantenga una postura y un equilibrio adecuados en todo momento.** Esto permite un mejor control de la herramienta eléctrica en situaciones inesperadas.
- 3.6 Vístase de forma apropiada. No lleve ropa holgada o artículos de joyería.** Mantenga el cabello, la ropa y los guantes alejados de las piezas móviles. La ropa holgada, los artículos de joyería o el cabello largo pueden quedar atrapados en las piezas móviles.
- 3.7 Si se proporcionan dispositivos para la conexión de instrucciones de extracción y recogida de polvo, asegúrese de que estén conectados y debidamente usadas.** El uso de dispositivos de recogida de polvo puede reducir los peligros relacionados con el polvo.

#### 4 Uso y cuidado de las herramientas eléctricas

- 4.1 No fuerza la herramienta eléctrica. Use la herramienta eléctrica correcta para su aplicación.** La herramienta eléctrica correcta hará el trabajo mejor y de forma más segura a la velocidad para la que se ha diseñado.
- 4.2 No use la herramienta eléctrica si el interruptor no se enciende ni se apaga.** Cualquier herramienta eléctrica que no pueda controlarse con el interruptor es peligrosa y debe repararse.
- 4.3 Desconecte el enchufe de la fuente de alimentación y el grupo de baterías de la herramienta eléctrica antes de hacer cualquier ajuste, cambiar accesorios o guardar herramientas eléctricas.** Dichas medidas de seguridad de prevención reducen el riesgo de arrancar la herramienta eléctrica por accidente.
- 4.4 Guarde las herramientas eléctricas fuera del alcance de los niños y no deje que las personas no familiarizadas con la herramienta eléctrica o estas instrucciones operen la herramienta eléctrica.** Una herramienta eléctrica es peligrosa en manos de usuarios sin capacitar.
- 4.5 Efectúe el mantenimiento de las herramientas eléctricas.** Compruebe si hay piezas móviles desalineadas o atascadas, piezas rotas y cualquier otra condición que pueda afectar la operación de la herramienta eléctrica. Si se daña la herramienta eléctrica, se debe reparar antes de usar. Muchos accidentes son debidos a un mantenimiento indebido de las herramientas eléctricas.
- 4.6 Mantenga las herramientas de corte afiladas y limpias.** Es menos probable que las herramientas de corte debidamente mantenidas y afiladas se adhieran y sean más fáciles de controlar.
- 4.7 Use la herramienta eléctrica, los accesorios y las brocas de las herrami-**

entas, etc., según estas instrucciones y de la manera para la que se diseñó este tipo particular de herramienta eléctrica, teniendo en cuenta las condiciones de trabajo y el trabajo que se vaya a efectuar. El uso de la herramienta eléctrica para operaciones diferentes para las que se diseñó podría resultar en una situación peligrosa.

#### 5 Uso y cuidado de herramientas para baterías

- 5.1 Recargue solo el cargador de baterías especificado por el fabricante.** Un cargador adecuado para un tipo de grupo de baterías puede crear un riesgo de incendio cuando se use con otro grupo de baterías.
- 5.2 Use herramientas eléctricas solo con grupos de baterías diseñados específicamente.** El uso de cualquier otro grupo de baterías puede crear riesgos de lesiones o incendios.
- 5.3 Cuando no se use el grupo de baterías, no lo acerque a otros objetos de metal, como sujetapapeles, monedas, llaves, clavos, tornillos o cualquier otro objeto de metal pequeño, que pueda hacer una conexión de un terminal a otro.** El cortocircuito de terminales de la batería puede causar quemaduras o incendios.
- 5.4 En condiciones abusivas, puede expulsarse líquido de la batería; evite el contacto.** Si se produce un contacto por accidente, enjuague con agua. Si el líquido hace contacto adicional con los ojos, acuda a un médico. El líquido expulsado de la batería puede causar irritaciones o quemaduras.

#### 6 Servicio

- 6.1 Un técnico de reparación capacitado debe efectuar el servicio de la herramienta eléctrica usando solamente piezas de repuesto idénticas.** Esto permitirá mantener la seguridad de la herramienta eléctrica.

## Seguridad de otros

No está previsto que este aparato sea utilizado por personas (incluidos niños) con capacidades sensoriales o mentales reducidas, o falta de experiencia y conocimientos, a menos que se les supervise o se les dé instrucciones sobre el uso del aparato por parte de una persona responsable de su seguridad.

Se debe supervisar a los niños para asegurarse de que no jueguen con el aparato.

## Seguridad específica

Las lesiones de inyección de engrase son muy graves. Sujete la manguera solo por el área del protector de resorte. Evite el arranque por accidente. Asegúrese de que el interruptor no esté pulsado al insertar el paquete de baterías. Reemplace la manguera cuando vea los primeros indicios de desgaste, retorceduras o daños en el recubrimiento exterior. No doble manguera para que no se retuerza.

No adopte posturas forzadas. Mantenga una postura apropiada en todo momento. La postura apropiada permite controlar mejor la herramienta en situaciones inesperadas.

Use equipos de seguridad. Lleve siempre protectores de ojos.

Se debe usar una máscara contra el polvo, zapatos de seguridad antirresbaladizos, casco o protectores de oídos para condiciones apropiadas.

La pistola usa lubricantes, que puede ser inflamable y venenosa si se ingiere. No use la pistola cerca de llamas u otros peligros de incendio. No use grasas inflamables con esta pistola de engrase.

Las grasas se distribuyen a menudo en el mercado como resistentes a las altas temperaturas porque deben mantener sus propiedades de lubricación en áreas calientes, pero los lubricantes pueden ser inflamables si la temperatura es demasiado alta. Lea las advertencias sobre lubricantes antes de usar esta pistola. No use grasas inflamables con esta pistola de engrase.

### ⚠ ADVERTENCIA

No use ninguna manguera que no haya sido aprobada por SKF. La presión extrema puede causar la extensión de la boquilla o hacer que reviente la manguera flexible.

Reemplace la manguera cuando se produzcan los primeros indicios de desgaste, retorceduras o daños en el recubrimiento exterior.

Siga las instrucciones y advertencias de la manguera flexible. De no cumplir con esto se pueden producir lesiones graves o la muerte.

### ⚠ ADVERTENCIA

Use gafas y guantes de seguridad como protección durante la operación. Mantenga las manos alejadas de la parte de caucho expuesta de la manguera.

De no cumplir con esto se pueden producir lesiones graves o la muerte.

## Riesgos residuales

Pueden producirse riesgos adicionales al usar la herramienta que tal vez no se indiquen en las advertencias de seguridad incluidas. Estos riesgos pueden deberse al uso indebido, uso prolongado, etc.

Incluso con la aplicación de las reglas de seguridad pertinentes y la implementación de dispositivos de seguridad, no se pueden evitar ciertos riesgos residuales. Entre estos se incluyen

- Lesiones causadas al tocar cualquier pieza giratoria / móvil.
- Lesiones causadas al cambiar piezas o accesorios.
- Lesiones causadas por el uso prolongado de una herramienta. Al usar cualquier herramienta durante períodos prolongados, asegúrese de tomarse descansos regulares.
- Deterioro del oído.
- Peligros de salud causados al inhalar polvo producido al usar esta herramienta (ejemplo:- al trabajar con madera, especialmente roble, haya y tableros de madera de densidad intermedia).

### ⚠ ADVERTENCIA

El valor de las emisiones de vibraciones durante el uso real de la herramienta eléctrica puede diferir del valor declarado dependiendo de las formas en que se vaya a usar la herramienta. El nivel de vibraciones puede aumentar por encima el nivel indicado.

ciones reales de uso y la forma en que se usa la herramienta, incluido tener en cuenta todas las piezas del ciclo de operación como las veces en el interruptor de la herramienta está en apagado y cuando está en funcionamiento en vacío además del tiempo de activación.

## Etiquetas en cargador de batería

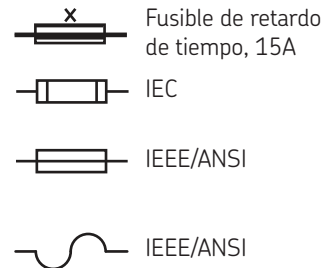
Los siguientes símbolos se muestran en la herramienta:

### ⚠ ADVERTENCIA

No opere esta pistola de engrase sin leer el manual de instrucciones.



De no cumplir con esto se pueden producir lesiones graves o la muerte.



## Vibration

Los valores de las emisiones de vibraciones declarados indicados en los datos técnicos y la declaración de conformidad se han medido según un método de prueba estándar proporcionado por EN 62841 y pueden usarse para comprar una herramienta con otra.

El valor de las emisiones de vibraciones declaradas también puede usarse en una evaluación preliminar de la exposición.

Al evaluar la exposición para determinar las medidas de seguridad según 2002/44/EC para proteger a personas regularmente usando herramientas eléctricas en empleo, se debe tener en cuenta una estimación de la exposición a las vibraciones, las condi-

# Protección del medio ambiente

Si un día considera necesario reemplazar su producto SKF, o si ya no le sirve, no lo eche a la basura con sus desechos caseros.

Ponga este producto a disposición para una recogida separada.

## AVISO

La recogida separada de productos y empaques usados permite reciclar y volver a usar los materiales.



La reutilización de materiales reciclados ayuda a impedir la contaminación medioambiental y reduce la demanda de materias primas.

## AVISO

Recogida separada. Este producto no debe desecharse con la basura normal de la casa.



## AVISO

Haga funcionar la batería hasta que se agote y después quítela de la herramienta.



Las baterías de NiCd, NiMH y de iones de litio son reciclables. Llévelas a cualquier agente de reparación autorizado o de reciclaje local.



# Instrucciones de seguridad para la batería y el cargador

Este manual contiene instrucciones importantes de seguridad y operación para cargadores de baterías.

## ⚠ PELIGRO

No pruebe con objetos conductores. Riesgo de descarga eléctrica 120 a 230 VCA presentes en los terminales de carga.

De no cumplir con esto, se pueden provocar lesiones graves o la muerte.

## Baterías

- No intente nunca abrir el grupo de baterías por ningún motivo.
- No exponga la batería al agua.
- No almacene en lugares donde la temperatura pueda superar los 40 °C como cobertizos exteriores o edificios de metal en el verano.
- Cargue solamente a temperaturas ambiente entre 10 °C y 40 °C.
- Cargue solamente usando el cargador proporcionado con la herramienta.
- Al desechar baterías, siga las instrucciones indicadas en la sección *Protección del medio ambiente*.

## AVISO

No cargue la batería dañada. Reemplácela de inmediato.



## AVISO

No exponga la batería al fuego.



## ⚠ PELIGRO

No exponga la batería a chispas o llamas. El líquido de la batería puede producir quemaduras.

No salpique ni sumerja la batería en agua u otros líquidos. Esto puede provocar la falla de elemento prematura.

De no cumplir se puede provocar lesiones graves o la muerte.

## ⚠ PELIGRO

No intente nunca abrir el grupo de baterías por ningún motivo.

Si la caja de plástico del grupo de baterías se rompe o agrieta, devuélvelo a un centro de servicio para reciclar.

De no cumplir con esto se pueden provocar lesiones graves o la muerte.

## ⚠ PRECAUCIÓN

No cargue los paquetes de baterías de con cualquier otro cargador.

Para reducir los riesgos de lesiones, los cargadores deben usarse solamente para cargar los paquetes de baterías.

Otros tipos de baterías pueden estallar. De no cumplir con esto se pueden producir lesiones graves o la muerte.

# Cargador

- Antes de usar un cargador de baterías, lea todas las instrucciones y marcas de precaución en el cargador de batería, el grupo de baterías y el producto que usa la batería.
- No exponga el cargador a la lluvia, la nieve o la escarcha.
- No abuse el cordón. No lleve nunca el cargador por el cordón ni tire de él para desconectarlo del receptáculo. Tire del enchufe en lugar del cordón para desconectar el cargador. Reemplace de inmediato el cordón eléctrico si está dañado o desgastado y el aliviador de tensión del cordón. No intente reparar el cordón de alimentación.
- Asegúrese de que el cordón esté ubicado de modo que no se pise, se tropiece con él o quede sometido a daños o fatiga.
- No use un cordón de alargamiento a menos que sea absolutamente necesario. El uso de un cordón de alargamiento podría producir un riesgo de incendio y descarga eléctrica.
- No haga funcionar el cargador si ha recibido un golpe seco, se ha dejado caer o se ha dañado de otro modo; llévelo a un centro de servicio competente.
- No desarme un cargador o grupo de baterías. Llévelo a un centro de servicio competente cuando necesite servicio o reparación. El rearmado incorrecto puede resultar en un riesgo de descarga eléctrica o un incendio.
- Desenchufe el cargador de la toma antes de intentar cualquier limpieza para reducir el riesgo de descarga eléctrica.
- Cargue el grupo de baterías en un lugar bien ventilado; no cubra el cargador y la batería con nada mientras se carga.
- No almacene el cargador o los grupos de baterías en lugares donde la temperatura pueda alcanzar o sobrepasar los 50 °C como un cobertizo, o un automóvil en verano, lo que puede producir el deterioro de la batería de almacenamiento.

- No cargue el grupo de baterías cuando la temperatura se inferior a 5 °C o superior a 40 °C. Esto es muy importante para su operación apropiada.
- No incinere el grupo de batería. Puede reventar en un incendio.
- No cargue la batería en lugares húmedos o mojados.
- No cortocircuite entre terminales del grupo de baterías. Las temperaturas muy altas podrían causar lesiones personales o un incendio.
- Este aparato no está previsto que sea usado por personas (incluidos niños) con capacidades físicas, sensoriales o mentales reducidas.
- Estas baterías deben recic-larse o desecharse de forma apropiada. Devuelva los grupos de batería desgasta-dos a su vendedor al por menor de baterías de repuesto local o a su centro de reciclaje.

#### AVISO

Lea el manual de instrucciones antes del uso.



#### AVISO

El cargador está doblemente aislado, por lo que no se necesita un cable de conexión a tierra. Compruebe siempre que el voltaje de la red corresponda con el voltaje de placa de valores nominales. No trate nunca de reemplazar la unidad del cargador por un enchufe normal de la red.



## Seguridad eléctrica

- Si el cordón de suministro está dañado, debe ser reemplazado por el fabricante o un centro de servicio autorizado de Lincoln para evitar un peligro.

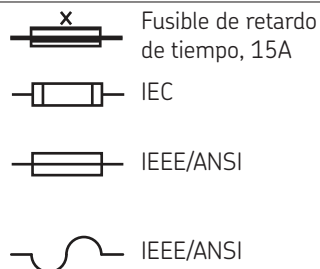
#### AVISO

El cargador es para uso interior solamente.



## Etiquetas en cargador de batería

Los siguientes símbolos se muestran en la herramienta:



# Batería y el cargador

## Instrucciones de seguridad para la batería y el cargador

Este manual contiene instrucciones importantes de seguridad y operación para cargadores TLGB 21-2, TLGB 21-9 y baterías TLGB 21-5, TLGB 21-6.

### ⚠ ADVERTENCIA

Antes de usar este cargador de baterías, lea todas las instrucciones y marcas de precaución en el cargador de la batería (10), la batería (9) y productos que usan la batería.

No se debe usar el cordón de alargamiento a menos que sea absolutamente necesario. El uso de un cordón de alargamiento indebido podría producir un riesgo de incendio y descarga eléctrica. Si

se debe usar un cordón de alargamiento, asegúrese de que sea del calibre 18. Compru;

ebe para asegurarse de que todas las clavijas del enchufe del cordón de alargamiento sean del mismo número, tamaño y forma que las del enchufe del cargador. Asegúrese de que el cordón de alargamiento esté debidamente conectado y en buenas condiciones eléctricas.

No incinere la batería, aun cuando esté muy dañada o completamente desgastada. La batería puede estallar e incendiarse.

Si el cordón de suministro está dañado, debe ser reemplazado por el fabricante, un agente de servicio o personas capacitadas de forma similar para evitar el peligro.

De no cumplir con esto se pueden producir lesiones personales o la muerte.

### ⚠ PRECAUCIÓN

- No exponga el cargador a la lluvia, nieve o escarcha.
- Asegúrese de que el cordón esté ubicado de modo que no se pise, no se tropiece con él ni se someta a daños o esfuerzos.
- No haga funcionar el cargador con un cordón o un enchufe dañados. Reemplace de inmediato.
- No opere el cargador si ha recibido un impacto fuerte, se ha dejado caer o se ha dañado de alguna forma.
- No desarme el cargador.
- El cargador está diseñado para operar con corriente eléctrica estándar del hogar. No trate de usarlo con cualquier otro voltaje.
- Las cargas consecutivas pueden causar recalentamiento. Si tiene que recargar la batería de forma consecutiva, espere unos 15 minutos para dejar que se enfríe el cargador.
- No inserte materiales extraños en la ranura para la batería en el apoyo del cargador.
- No desarme la batería.
- No guarde el conjunto de pistola y batería en lugares donde la temperatura pueda llegar o exceder los 104 °F (40 °C).
- No cortocircuite la batería.
- No ponga el cargador en una área que esté a temperaturas extremas. Funciona mejor a una temperatura ambiente normal.

# Descripción

Las pistolas de engrase modelos TLGB 21/230V y TLGB 21/110V están diseñadas para distribuir grasas derivadas del petróleo (NLGI 1/ NLGI 2) para aplicaciones de lubricación generales. Cada pistola de engrase está equipada con un motor eléctrico que posee tres etapas de reducción de engranajes, así como un mecanismo de manivela y yugo que impulsa la bomba de pistones alternativa. El motor es impulsado por un grupo de baterías recargable de iones de litio de 20 voltios. Se incluyen con la pistola de engrase una manguera flexible de alta presión de 48 pulg (1.22 m), un acoplador de engrase de servicio pesado, un cargador y estuche moldeado. También hay una linterna LED integrada, una transmisión electrónica de dos velocidades y una pantalla LCD con iluminación de fondo. La pantalla LCD dispone de un indicador de nivel de batería, un indicador de nivel de grasa, y un medidor de grasa, así como advertencias indicando pérdida de cebado y calado.

La pistola de engrase puede comunicarse de forma inalámbrica con teléfonos móviles usando la aplicación SKF por medio del módulo Bluetooth (BT) (TLGB 40-10, se vende por separado). El módulo BT (TLGB 40-10) debe estar instalado en la parte de arriba de la grasera, en vez de en la cubierta desmontable contra el polvo.

El enchufe (5) está cubierto por una tapa contra el polvo durante el uso general.

Cada modelo de pistola está diseñado para una carga de 3 vías; cartucho, succión y bomba de cargador.

Las pistolas de engrase están cebadas por resorte e incluyen una válvula de purga de aire para contribuir al cebado.

Tabla 1

## Especificaciones


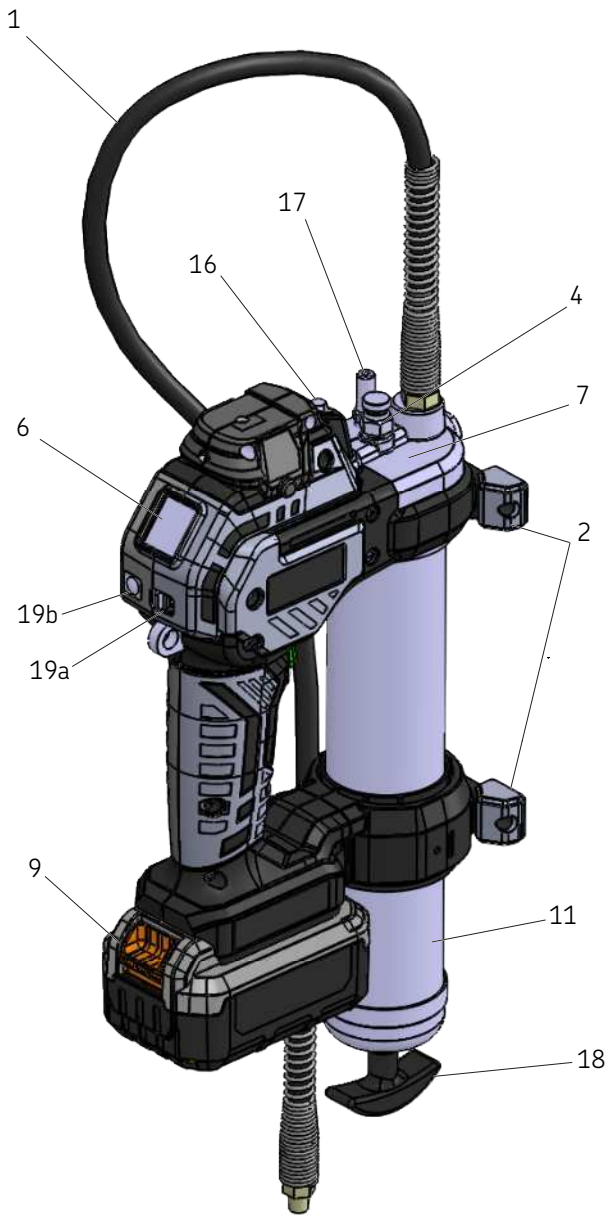
Capacidad del depósito de grasa	
Granel	454 g (16 oz)
Tamaño del cartucho	397 g (14 oz)
Ensamblado de la manguera	
Presión nominal	689 bar (10 000 psi)
Longitud de la manguera	122 cm (48 in)
Corriente de operación	14.5 to 20 V 
Peso	2.9 kg (6.3 lbs)
Presión pico máxima	689 bar (10 000 psi)
Presión de operación máxima	413 bar (6 000 psi)
Tasa de flujo <sup>1)</sup>	
Salida alta	170 g/min (6 oz/min)
Salida baja	113 g/min (4 oz/min)
Precisión del medidor <sup>1) 2)</sup>	
Alta velocidad	±3%
Baja velocidad	±4%
Rango del medidor	0 hasta 999 g (0.0 hasta 999 oz)
Presión acústica (LpA) 71.5 dB(A), incertidumbre (K) 3 dB(A). Potencia acústica (LwA) 82.5 dB(A), incertidumbre (K) 3 dB(A) Valor de las emisiones de las vibraciones (Ah) 0.9 m/s <sup>2</sup> , incertidumbre (K) 1.5 m/s <sup>2</sup> .	
<sup>1)</sup> Grasa de litio NLGI 2 EP (peso específico 0.92) a 75 °F (24 °C) distribuida por el conjunto de manguera incluido con acoplador de engrase y contra 150 psi (10 bares) de presión adicional (simula una grasera con bola de retención).	
<sup>2)</sup> La precisión del medidor es válida para usar con grasa de litio NLGI 2 EP (peso específico 0.92) a 75 °F (24 °C).	



Fig. 1

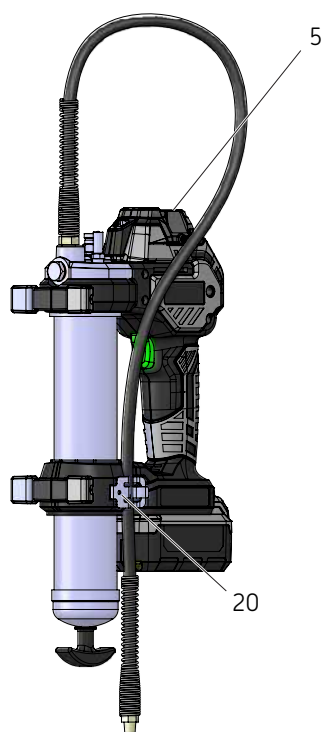


Artículos	Descripción	Artículos	Descripción
1	Hose	11	Conjunto de tubo de grasa
2	Soporte	16	Luz LED
4	Válvula de ventilação	17	Válvula de granel
6	Pantalla	18	Manija del seguidor
7	Conjunto de bomba	19a	Interruptor deslizando
9	Batería	19b	Botón de reinicio

Modelo de ventas

Modelo	Descripción	Cargador de baterías	Caja
TLGB 21/230V	Pistola engrasadora accionada por batería 20V	220 VAC/20V  -50/60 Hz	Si
TLGB 21/110V	Pistola engrasadora accionada por batería 20V	110 VAC/20V  -50/60 Hz	Si

Fig. 2



TLGB 21 - Estándar  
(sin módulo Bluetooth)

Artículos	Descripción
5	Cubierta contra el polvo
20	Soporte de manguera

## Función de luces rojas y verdes en el cargador

Cuando el cargador está encendido, la luz verde parpadeará una vez.

## Operación del cargador





Verifique que el voltaje del circuito de alimentación sea el mismo que el mostrado en la placa de especificaciones del cargador. Asegúrese de que la batería se conecte debidamente con los contactos del cargador.

La batería se puede calentar ligeramente al tacto mientras se carga. Esta es una condición normal, y no indica un problema.

## Deje la batería en el cargador

La batería se puede dejar conectada en el cargador con el LED verde brillando de forma indefinida. El cargador tiene una modalidad de afinado automático que permite que funcione a la capacidad máxima. Afine las baterías semanalmente o cuando la batería deje de efectuar la misma cantidad de trabajo. Para usar las modalidades de afinado automático, coloque una batería en el cargador durante un mínimo de 8 horas.

Tabla 3

Pantalla LED	
Luz LED	Descripción
Verde intermitente 	La batería se está cargando
Verde continua 	Se ha completado la carga
La luz roja destella a 4 Hz 	Mal estado de la batería. El cargador ha detectado una batería debilitada o dañada. Deje de cargar la batería. Devuélvala a un centro de servicio o a un lugar de recogida para su reciclado (luz roja intermitente a 4 Hz).
La luz roja destella a 1 Hz/5 Hz 	El cargador ha detectado una batería excesivamente caliente o fría. Inicia automáticamente una demora de paquete caliente/frío, suspendiendo la carga hasta que se normalice la temperatura de la batería. Una vez que la batería esté a una temperatura entre 40 °F (4 °C) y 104 °F (40 °C), el cargador cambia automáticamente a la modalidad de carga. El recalentamiento de la batería puede atribuirse a lo siguiente: <ul style="list-style-type: none"><li>• Largo funcionamiento continuo</li><li>• Temperatura ambiente alta</li><li>• Una o más celdas son dañadas</li></ul>

# Uso y cuidado de las herramientas

## Almacenamiento

- Lugar seco sin polvo
- Sala bien ventilada
- Tiempo de caducidad: Máximo 24 meses
- Humedad relativa <75 %
- Temperatura de almacenamiento: +10 °C a +40 °C (+50 °F a +104 °F)
- No exponga a la luz solar directa ni a la radiación UV
- Protección contra fuentes próximas de calor o frío.

## Transporte

El producto debe transportarse en el recipiente original del fabricante por todos los medios de transporte, sea cual sea la distancia.

Los productos deben empacarse en recipientes usando materiales que protejan contra los daños y las pérdidas, a fin de garantizar su seguridad durante la recarga, el transporte y el almacenamiento.

## Cargar pistola engrasadora

### NOTA

Consulte la lista de piezas, **página 23**, para identificar los componentes en los siguientes procedimientos.

## Cargar cartucho

- 1 Desenroscar el cilindro de grasa (11) de pistola engrasadora (→ Fig. 3).
- 2 Jale la varilla (18) del seguidor y enganche la ranura en la varilla con la muesca de la tapa del cilindro (21).
- 3 Retire la tapa plástica del cartucho.
- 4 Aplique grasa a la superficie interior del cartucho. Esto solo es necesario para una pistola engrasadora nueva.
- 5 Inserte el cartucho en el cilindro (11).
  - 5.1 Retire el sello de la lengüeta de anillo del cartucho.
- 6 Enrosque el cilindro de grasa (11) en la pistola de engrase.

7 Desenganche la varilla (18) del seguidor de la tapa del cilindro (21).

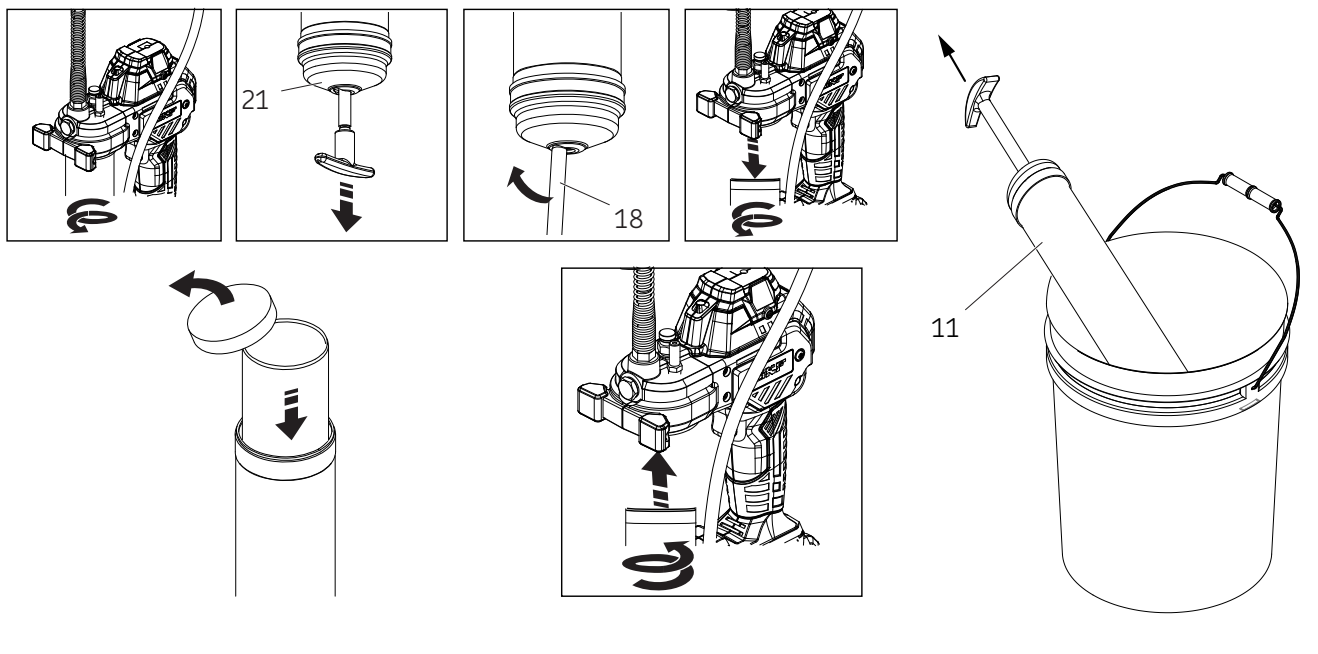
7.1 Empújela la varilla (18) en el cilindro (11).

## Carga de succión

- 1 Desenrosque el cilindro de grasa (11) de la pistola (→ Fig. 3).
- 2 Inserte el extremo abierto del cilindro (11) debajo de la superficie de la grasa.
- 3 Tire de la varilla del émbolo (18) para separarla de la tapa del cilindro (21) hasta que la ranura sea visible.
- 4 Luego enganche la ranura en la varilla (18) con la muesca en la tapa del cilindro (21).
- 5 Enrosque el cilindro de grasa (11) en la pistola de engrase.
- 6 Desenganche la varilla (18) del seguidor de la tapa del cilindro (21).
  - 6.1 Empuje la varilla del seguidor (18) en el cilindro de grasa (11).

Fig. 3

### Cargar cartucho y carga de succión





## Bomba del cargador

- 1 Tire de la varilla del seguidor (18) y conecte el seguidor girando la varilla (→ Fig. 3, página 18).
- 2 Asiente la conexión del cargador en el acoplador del cargador.
  - 2.1 Empuje hacia abajo para retener la válvula del acoplador abierta.
- 3 Opere la bomba y observe el movimiento de la varilla del seguidor (18).
- 4 Descontinúe la operación de la bomba una vez que sea visible la muesca en la varilla del seguidor (18).
- 5 Desenganche la varilla del seguidor (18) del seguidor girando la manija del seguidor.
- 6 Empuje la varilla del seguidor (18) en el cilindro (11).

### NOTA

La conexión del cargador en la pistola debe corresponder con el acoplador del cargador. Es posible que la bomba no funcione si los componentes no son compatibles.

## Cebado

En la mayoría de los casos, la pistola se cebará simplemente operando el gatillo varias veces. Si no aparece la grasa, se debe purgar aire.

## Cebado forzado

Este proceso ayuda manualmente al descargar el aire de la válvula de purga.

- 1 Jale la varilla del seguidor hacia fuera y luego gírela para enganchar la varilla en el seguidor (→ Fig. 3, page 18).
- 2 Abra la válvula de descarga desenroscando el vástago aproximadamente dos vueltas.
- 3 Empuje la varilla del seguidor (18).
- 4 Una vez eliminado el aire, apriete el vástago de la válvula de descarga.
- 5 Opere la pistola varias veces.
- 6 Una vez que aparezca grasa, desconecte del seguidor la varilla del seguidor (18) y empújela hacia el interior del cilindro de grasa (11).

## Contaminación de la válvula de retención

La válvula de retención de salida puede mantenerse abierta si no se ceba la pistola. Quite el tapón (22), limpie la bola (23) y el asiento de la cabeza (→ Fig. 4).

## Operación

La batería (9) se envía de forma intencionada con una carga baja. Cargue la batería antes de usarla.

- Consulte los detalles de la sección de operación del cargador de la batería.

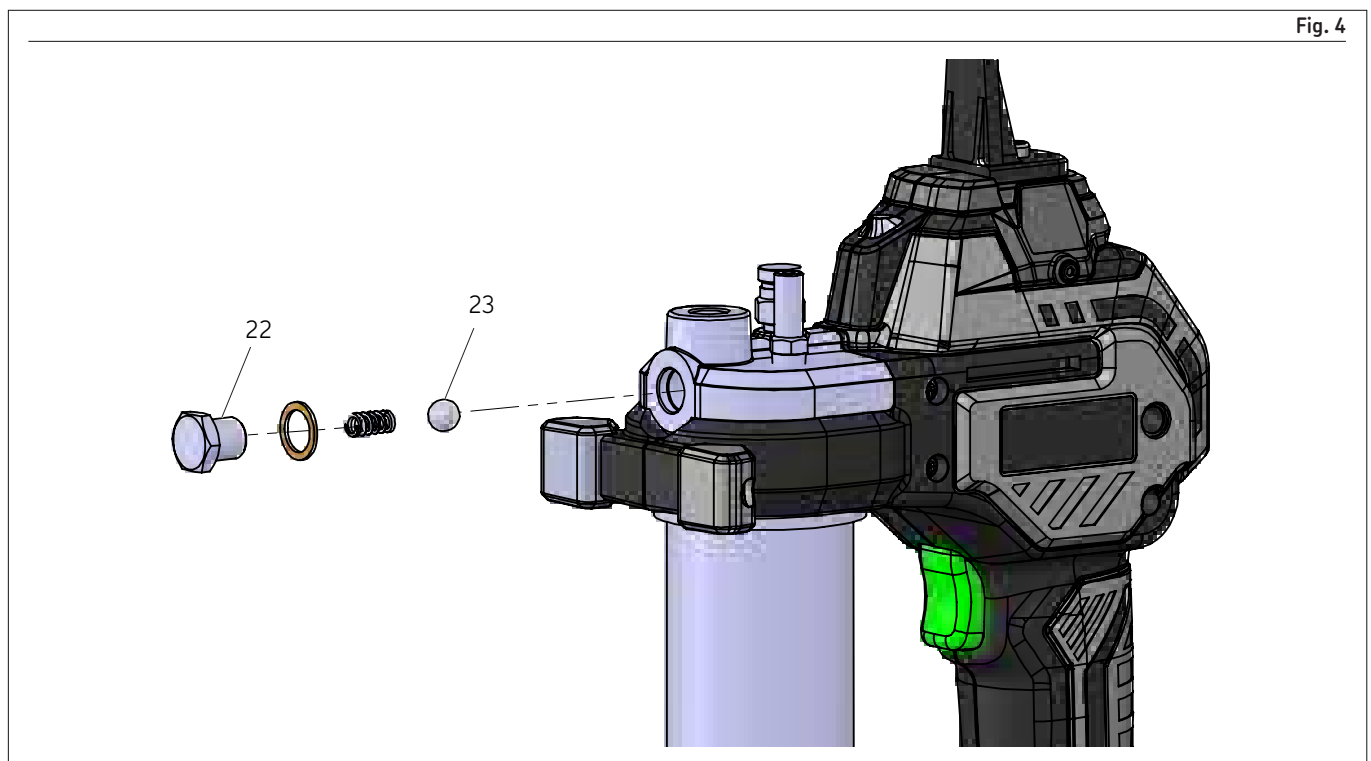


Fig. 4

#### NOTA

La pistola de engrase está equipada con software para proteger el motor. El software cortará la corriente al motor y la LCD se iluminará con una luz trasera roja continua cuando el cojinete, la línea o la grasea bloqueados cale la pistola. Suelte el gatillo de inmediato si ocurre esto.

No opera con la pistola calada para prolongar al máximo la vida útil del motor.

De no cumplir con ello se pueden producir daños importantes.

#### NOTA

La pistola de engrase producirá unas 483 bares (7000 psi) antes de que el software se detenga y corte la corriente al motor. La pistola de engrase se calará durante 3 segundos antes de que vuelva a llegar corriente al motor.

La pistola de engrase se calará una vez más si el gatillo se mantiene apretado continuamente para producir 586 a 724 bares (8500 a 10500 psi).

Suelte el gatillo para dejar enfriar durante 3 segundos antes de volver a operar.

## Selección de velocidad

La pistola está equipada con una transmisión electrónica de dos velocidades para proporcionar un caudal alto y bajo. Consulte las especificaciones para obtener el rendimiento a cada velocidad. Alta velocidad es cuando se muestre **2** en el interruptor deslizante (**19a**) (→ Fig. 5). La presión máxima se pueden obtener a alta velocidad **2** y baja velocidad **1**.

#### NOTA

La pistola de engrase cambiará automáticamente de baja velocidad **1** a alta velocidad **2** alrededor de 241 bares (3 500 psi) para obtener una presión más alta.

## Funciones LCD

La pantalla de cristal líquido (LCD) (**6**) dispone de un medidor de engrase electrónico, indicador de nivel de grasa e indicador del nivel de la batería. Para encender la LCD, oprima el botón de reajuste (**19b**) una vez (→ Fig. 5).

Para entrar en la modalidad de reajuste, oprima sin soltar el botón de reajuste (**19b**). Después de 2 segundos, los dígitos del medidor de grasa y las unidades de medida del nivel del cilindro de engrase (onzas/g) empiezan a destellar.

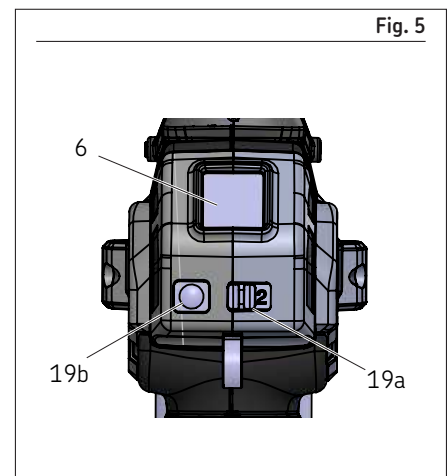
Al soltar el botón de reajuste (**19b**) cuando el dígito del medidor de grasa está destellando se reajustará el medidor a cero. Al soltar el botón (**19b**) mientras los segmentos del nivel de cilindro de engrase están destellando se restablecerá el medidor a lleno. Al soltar el botón (**19b**) mientras destella la unidad de medición se cambiará la unidad de medición.

## Indicación de calado

Durante la condición de calado (en caso de una conexión o una línea obstruidas) la pistola dejará de bombear grasa y la pantalla LCD (**6**) se iluminará con una luz roja trasera. Si se produce la condición, suelte de gatillo de inmediato. Inspeccione, limpie y repare el conducto de grasa antes de tratar de distribuir grasa al sistema.

## Indicación de pérdida de cebado

Se produce una pérdida de cebado cuando haya aire en la grasa o cuando el cilindro de engrase esté vacío. Cuando ocurra esto, la pantalla LCD destellará de color rojo para indicar que la pistola no está bombeando grasa. Durante la pérdida de grasa de cebado el medidor no cuenta las emboladas del pistón vacío.



## Linterna

Para encender (**ON**) la linterna, oprima el botón de reajuste una vez. Si la pantalla LCD aún no está encendida (**ON**), se requieren dos pulsaciones del botón de reajuste para encender (**ON**) la linterna.

Para apagar (**OFF**) la linterna, oprima el botón de reajuste una vez. La linterna se apagará (**OFF**) automáticamente después de 20 segundos a menos que se haga funcionar el gatillo para distribuir grasa. Si el gatillo se oprime una vez para hacer funcionar la pistola, la luz permanecerá encendida (**ON**) hasta 20 segundos después de haber soltado el gatillo.

### ADVERTENCIA

No realice el mantenimiento de esta pistola de engrase con la batería incluida. No limpie el cargador mientras esté enchufado a una toma de corriente eléctrica.

De no cumplir con esto se pueden producir.

### NOTA

Limpie regularmente las ranuras de ventilación en la herramienta y el cargador usando un cepillo de cerdas suaves o un trapo seco.

Limpie regularmente la caja del motor usando un trapo humedecido. No use ningún limpiador abrasivo o basado en disolvente.

## Mantenimiento



Diseñada para operar durante un tiempo largo, con un mínimo de mantenimiento. La operación satisfactoria continua depende del cuidado apropiado y de la limpieza regular de la herramienta.

Su cargador no requiere ningún mantenimiento además de la limpieza regular.



## Resolución de problemas

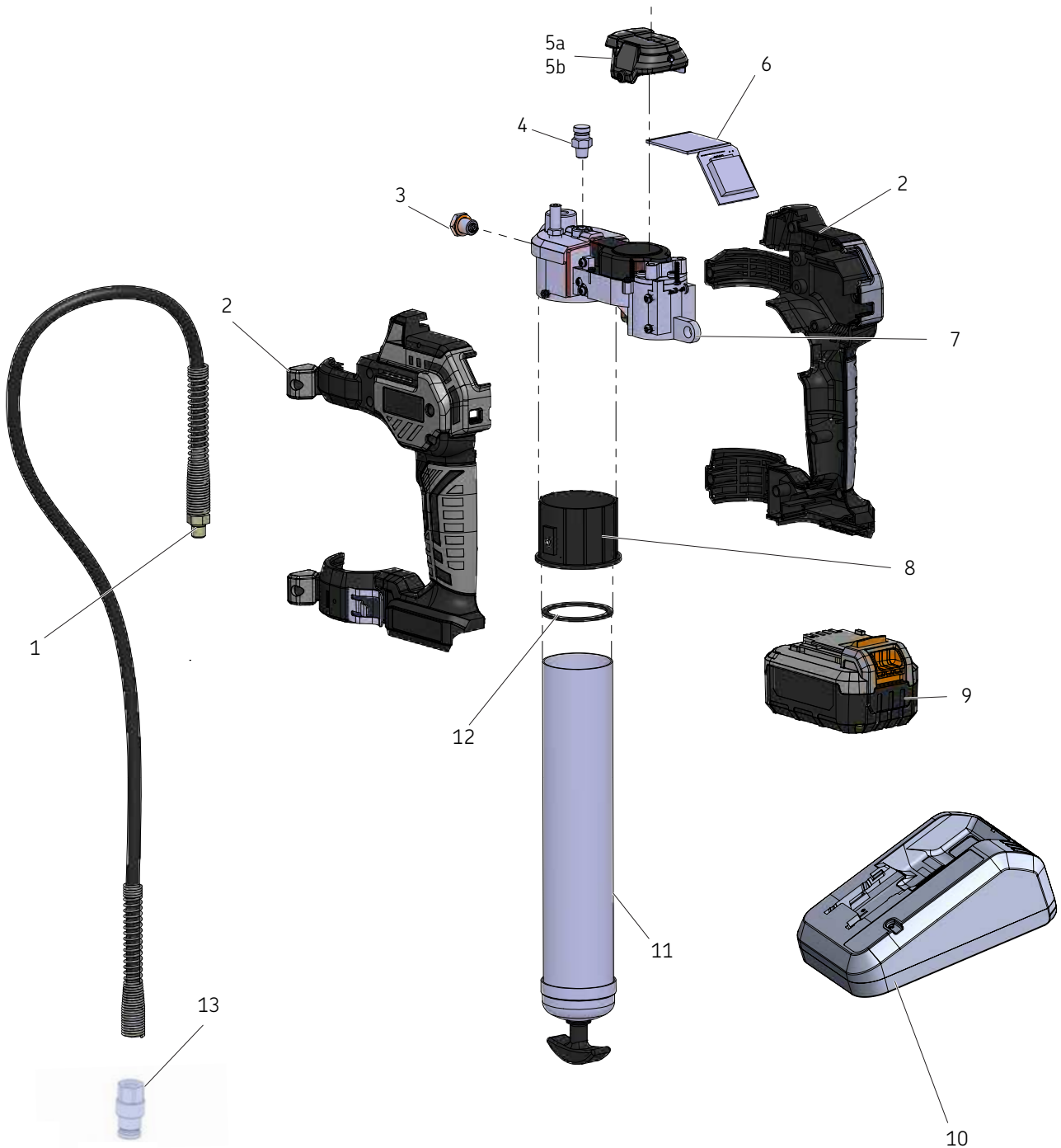
Condición	Causa posible	Acción correctora
La pistola de engrase no distribuye grasa.	El conjunto del tubo de engrase no tiene grasa.	Compruebe si tiene grasa el conjunto de tubo de engrase.
	Pérdida de cebado.	Repita la operación de cebado.
	La válvula de retención de bola (23) no funciona.	Eliminar retención de bola (23), limpie e inspeccione la zona de asiento de bola.
	Manguera flexible obstruida.	Limpie o reemplace la manguera flexible.
Pantalla intermitente roja debido a sobrecarga del motor.	Punto de lubricación bloqueado.	Elimine los bloqueos.
	Manguera flexible obstruida.	Conjunto de tubo de grasa de vacío , rellenar y repetir las instrucciones de cebado.
La pistola de engrase sigue perdiendo grasa.	Puede haber aire atrapado en varios lugares en un recipiente después del llenado a granel.	Vacíe el conjunto de tubo de grasa, vuelva a llenar y repita las instrucciones de cebado.
	El seguidor se atasca en el conjunto de tubo de engrase.	Desarme el conjunto del tubo de engrase y límpielo. Asegúrese de que el seguidor se haya introducido en el cartucho de engrase.  Verifique que el seguidor no esté atascado en el borde del cartucho de engrase.  Reemplace el conjunto de tubo de engrase (11) si está dañado
	Compruebe el asiento de la bola (23) y si está sucia la bola.	Limpie la bola (23) de retención y compruebe el asiento de la bola.
La batería no se carga.	No llega corriente al cargador.	Compruebe que haya corriente en el receptáculo.
	Es posible que la batería sea defectuosa.	Reemplace la batería.
	Se debe cargar la batería.	Recargue la batería.
El motor falla al ejecutar.	Cableado defectuoso al motor.	Quite la batería, desarme la manija y compruebe si hay una conexión aflojada en el cableado.

### Lista de piezas/juegos de servicio

Número de pieza	Descripción
TLGB 21-1	Correa para el hombro (TLGB)
TLGB 21-2	Batería de litio SKF 20V 2.5 Ah
TLGB 21-3	Manguera de 1219 mm de largo con acoplador
TLGB 21-4	Kit de manguera de grasa (TLGB)
TLGB 21-5	Cargador SKF 2A 230 V AC / 20V 
TLGB 21-6	Cargador SKF 2A 120 V AC / 20V 
TLGB 21-9	Battery SKF Lithium 20V 4.0 Ah

### Piezas de repuesto

Artículo	Descripción
1	Conjunto de manguera de engrase
2	Caja (manija)
3	Válvula de retención
4	Válvula de descarga
5a	Tapa contra el polvo (TLGB 21)
5b	Módulo Bluetooth (TLGB 40-10)
6	Pantalla/PCB
7	Bomba
8	Espaciador de tubo de engrase con
9	Batería de 20 V,  2,5 Ah Batería de 20 V,  4,0 Ah
10	Cargador de baterías (120 VCA / 60 Hz) Cargador de baterías (230 VCA / 50 Hz)
11	Conjunto de cilindro de engrase
12	Empaquetadura
13	Acoplador de engrase
14	Soporte para teléfono
15	Tornillo



## Instrucciones detalladas

Para obtener instrucciones de uso detalladas, vaya a este enlace

→ [gr.skf.com/Im/Lub-tools/TLGB-21/](https://gr.skf.com/Im/Lub-tools/TLGB-21/)

o comuníquese con su distribuidor u oficina local de SKF.



## Garantía

Estas instrucciones no hacen afirmaciones ningunas referente a la garantía. Para más informaciones sobre la garantía rogamos miren nuestras Condiciones Generales en [www.skf.com](https://www.skf.com).



[skf.com](https://www.skf.com)

© SKF es una marca registrada del Grupo SKF.

© SKF Group 2024

El contenido de esta publicación es propiedad de los editores y no puede reproducirse (incluso parcialmente) sin autorización previa por escrito. Se ha tenido el máximo cuidado para garantizar la exactitud de la información contenida en esta publicación, pero no se acepta ninguna responsabilidad por pérdidas o daños, ya sean directos, indirectos o consecuentes, que se produzcan como resultado del uso de dicha información.

octubre 2024 · Formulario MP5499ES Versión 2

# Pompe à graisse manuelle sur batterie

Modèles TLGB 21/230V, TLGB 21/110V



Date de publication **octobre 2024**

Document numéro **MP5499**

Version **2**



# Matières

<b>Déclaration de conformité</b> . . . . .	<b>3</b>
<b>Signaux de sécurité</b> . . . . .	<b>6</b>
<b>Consignes de sécurité</b> . . . . .	<b>7</b>
Consignes générales de sécurité pour l'outillage électrique . . . . .	7
Sécurité des autres . . . . .	8
Consignes particulières de sécurité . . . .	8
Risques résiduels . . . . .	9
Vibrations . . . . .	9
Étiquettes sur chargeur de batterie . . . .	9
Protection de l'environnement . . . . .	10
Instructions de sécurité relatives au chargeur et aux batteries . . . . .	11
Batteries . . . . .	11
Chargeur . . . . .	11
Sécurité électrique . . . . .	12
Chargeur et batterie . . . . .	13
Instructions de sécurité relatives au chargeur et aux batteries . . . . .	13
<b>Description</b> . . . . .	<b>14</b>
Caractéristiques techniques . . . . .	14
Modèle commercialisé . . . . .	16
Fonction des voyants rouges et verts sur le chargeur . . . . .	17
Fonctionnement du chargeur . . . . .	17
Laisser la batterie dans le chargeur . .	17
Affichage LED . . . . .	17
<b>Utilisation et entretien de l'outil</b> . . . .	<b>18</b>
Chargement . . . . .	18
Cartouche . . . . .	18
Succion . . . . .	18
Pompe de remplissage . . . . .	19
Amorçage . . . . .	19
Amorçage forcé . . . . .	19
Fonctionnement . . . . .	20
Sélection de débit . . . . .	20
Fonctions LCD . . . . .	20
Lampe de poche . . . . .	21
Entretien . . . . .	21
<b>Dépannage</b> . . . . .	<b>22</b>
<b>Liste des pièces détachées et kits de pièces</b> . . . . .	<b>23</b>
<b>Des pièces de rechange</b> . . . . .	<b>24</b>
<b>Instructions d'utilisation détaillées</b> . .	<b>28</b>
<b>Garantie</b> . . . . .	<b>28</b>



## Déclaration de conformité

DOCUMENT NUMBER  
MP5499.Doc

### Nom/adresse du fabricant :

**SKF MPT**

Meidoornkade 14, 3992  
AE Houten, Les Pays-Bas

TEL: +1 (31) 610136775

EMAIL: [andrea.gondova@skf.com](mailto:andrea.gondova@skf.com) WEBSITE: [www.skf.com](http://www.skf.com)



Cette déclaration de conformité est émise sous la responsabilité exclusive du fabricant. SKF MPT déclare aux présentes que la machinerie achevée partiellement indiquée ci-dessous :

Nom : Pistolet à graisse  
Numéro(s) de pièce(s) : TLGB 21  
Description : Pompe à graisse manuelle sur batterie  
Numéro(s) de pièce(s) : TLGB 40-10  
Description : Module Bluetooth  
Année du marquage CE : 2022

dans son usage prévu, est conforme à la législation d'harmonisation pertinente de l'Union :

Directive Machines 2006/42/UE

Compatibilité électromagnétique 2014/30/UE (CEM)

Substances dangereuses 2011/65/EU (RoHS2)

et est conforme aux normes harmonisées suivantes :

EN 55014-1:2017+A11:2020  
Compatibilité électromagnétique - Exigences pour les appareils électrodomestiques, outils électriques et appareils similaires - Partie 1 : Émission

EN 55014-2:2015  
Compatibilité électromagnétique - Exigences pour les appareils électrodomestiques, outillages électriques et appareils similaires - Partie 2 : Immunité - Norme de famille de produits

EN 62841-1:2015  
Outils portatifs à moteur électrique, outils transportables et machines pour pelouses et jardins - Sécurité - Partie 1 : Exigences générales

EN CEI 63000:2018  
Documentation technique pour l'évaluation des produits électriques et électroniques par rapport à la restriction des substances dangereuses

EN 301 489-17 :2020  
Norme de compatibilité électromagnétique (CEM) pour les équipements et services radio ; Partie 17 : Conditions spécifiques aux systèmes de transmission de données à large bande ; Norme harmonisée de compatibilité électromagnétique

EN 301 489-1 :2019  
Norme de compatibilité électromagnétique (CEM) pour les équipements et services radio ; Partie 1 : Exigences techniques communes ; Norme harmonisée de compatibilité électromagnétique

EN 62479 : 2010  
Évaluation de la conformité des équipements électroniques et électriques de faible puissance aux restrictions de base liées à l'exposition humaine aux champs électromagnétiques

Le fabricant conserve un fichier de construction technique contenant les rapports de tests et la documentation sur le produit :

Numéro de fiche de récapitulatif de fichier technique : RAMP5499XX

RoHS2 - Numéro de fiche de récapitulatif de fichier technique : RoHSMP5499XX

Je, de SKF, déclare par la présente que l'équipement spécifié ci-dessus est, dans son utilisation prévue, conforme aux exigences des normes harmonisées susmentionnées.

Andrea Gondova  
Responsable de la conformité des produits  
AE Houten, Les Pays-Bas  
2022/06/17

## Signaux de sécurité

### REMARQUE

Met l'accent sur des conseils et recommandations utiles ainsi que sur les informations pour un fonctionnement efficace et sans problèmes.

### ATTENTION

Indique une situation dangereuse qui pourrait entraîner des blessures légères ou des dommages matériels si les mesures de précaution sont ignorées.

### AVERTISSEMENT

Indique une situation dangereuse qui peut entraîner des blessures graves ou légères si les mesures de précaution sont ignorées.

### DANGER

Indique une situation dangereuse qui peut entraîner la mort ou des blessures graves si les mesures de précaution sont ignorées.

### AVERTISSEMENT

Ne pas faire fonctionner cet équipement sans avoir lu et entièrement compris les instructions et avertissements concernant la sécurité.



Le non-respect des avertissements et instructions pourrait entraîner des blessures graves.

### REMARQUE

Ne pas utiliser cet équipement sans porter du matériel de protection individuelle.

Porter une protection des yeux. Un équipement de protection comme un masque anti-poussière, des chaussures de sécurité antidérapantes ou des protecteurs auditifs utilisés pour les conditions appropriées réduira les blessures.

Le non-respect peut entraîner des blessures corporelles légères.



### AVERTISSEMENT



Ne laisser aucune partie du corps se coincer dans l'équipement.

Les parties du corps peuvent être écrasées par les sous-ensembles pendant le fonctionnement.

Le non-respect des directives peut entraîner la mort ou des blessures physiques graves.

### AVERTISSEMENT



Ne laissez pas le liquide couler sur le sol lors de l'utilisation de l'équipement. En cas de déversement, essuyez tout liquide sur le sol avant de continuer.

Le non-respect des directives peut entraîner des blessures.

### AVERTISSEMENT

Ne pas utiliser cet équipement pour fournir, transporter ou entreposer des substances et mélanges dangereux conformément à l'annexe I section 2-5 de la réglementation CLP (EG 1272/2008) ou HCS 29 CFR 1910.1200 marqués avec les pictogrammes de danger GHS01, GHS06 et GHS08 indiqués :



# Consignes de sécurité

## Consignes générales de sécurité pour l'outillage électrique

### ⚠ ATTENTION

Lire toutes les consignes et instructions de sécurité. Leur inobservation risque d'entraîner une électrocution, un incendie et/ou des blessures graves.



Conserver toutes les consignes et instructions pour pouvoir s'y référer à l'avenir. Le terme outil électrique mentionné dans les consignes se réfère à un outil branché sur secteur (à fil) ou alimenté par batterie (sans fil).

### 1 Sécurité des lieux de travail

- 1.1 **Maintenir les lieux de travail propres et bien éclairés.** Les lieux encombrés ou sombres invitent les accidents.
- 1.2 **Ne pas utiliser d'outils électriques dans les atmosphères explosibles, par exemple en présence de liquides, gaz ou poussière inflammables.** Les outils électriques produisent des étincelles pouvant enflammer la poussière ou les vapeurs.
- 1.3 **Ne pas laisser des enfants ni des spectateurs s'approcher lorsqu'on se sert d'un outil électrique.** Les distractions peuvent causer une perte de contrôle.

### 2 Sécurité électrique

- 2.1 **La fiche d'un outil électrique doit s'adapter à la prise. Ne jamais modifier la fiche en quoi que ce soit. N'utiliser aucun adaptateur avec les outils électriques à mise à la terre.** Les fiches et prises correspondantes non modifiées réduiront le risque d'électrocution.
- 2.2 **Éviter tout contact du corps avec les surfaces mises à la terre telles que celles des canalisations, radiateurs, cuisinières et réfrigérateurs.** Il y a un risque accru d'électrocution en cas de mise à la terre du corps.
- 2.3 **Ne pas exposer les outils électriques à la pluie ni à l'humidité.** La pénétration d'eau dans un outil électrique accroîtra le risque d'électrocution.
- 2.4 **Ne pas maltraiter le cordon. Ne jamais se servir du cordon pour transporter, tirer ou débrancher l'outil électrique. Ne pas approcher le cordon d'une source de chaleur, de l'huile, des arêtes vives ou de pièces mobiles.** Un cordon endommagé ou emmêlé accroît le risque d'électrocution.
- 2.5 **Lorsqu'on se sert d'un outil électrique à l'extérieur, utiliser un cordon prolongateur conçu à cet effet.** L'utilisation d'un tel cordon réduit le risque d'électrocution.
- 2.6 **Si on ne peut éviter d'utiliser un outil électrique dans un endroit humide, employer une alimentation protégée par dispositif différentiel résiduel (DDR).** L'utilisation d'un DDR réduit le risque d'électrocution.

### 3 Sécurité personnelle

- 3.1 **Rester vigilant, faire attention à ce qu'on fait et faire preuve de bon sens quand on utilise un outil électrique. Ne pas se servir d'un outil électrique quand on est fatigué ou sous l'influence de drogues, de l'alcool ou de médicaments.** Un moment d'inattention pendant l'utilisation d'outils électriques peut entraîner des blessures graves.
- 3.2 **Utiliser un équipement de protection individuelle.** Toujours porter des

lunettes de protection. L'utilisation d'un équipement de protection, tel que masque antipoussière, chaussures de sécurité à semelle antidérapante, casque de chantier ou protecteurs d'oreilles, adapté aux conditions réduira le risque de blessures.

- 3.3 **Empêcher une mise en marche intempestive. S'assurer que le commutateur est en position d'arrêt avant de raccorder l'outil au secteur et/ou à une batterie, de le saisir ou de le transporter.** Le transport d'outils électriques avec le doigt sur le commutateur ou leur mise sous tension quand le commutateur est en position de marche invite les accidents.
- 3.4 **Retirer toute clé de réglage avant de mettre l'outil en marche.** Laisser une clé attachée à une pièce rotative de l'outil électrique peut entraîner des blessures.
- 3.5 **Ne pas trop se pencher en avant. Garder un bon équilibre en permanence.** Cela permet de garder un meilleur contrôle de l'outil électrique dans des situations imprévues.
- 3.6 **Porter une tenue appropriée. Ne pas porter de vêtements amples ni de bijoux. Ne pas approcher les cheveux, les vêtements ni les gants des pièces en mouvement.** Les vêtements amples, les bijoux ou les cheveux longs peuvent se prendre dans les pièces en mouvements.
- 3.7 **Si des dispositifs sont prévus pour le raccordement de systèmes de dépoussiérage, veiller à les raccorder et à les utiliser correctement.** Le dépoussiérage peut réduire les dangers présentés par la poussière.

### 4 Utilisation et entretien d'un outil électrique

- 4.1 Ne pas forcer un outil électrique. Utiliser un outil électrique convenant au travail à effectuer.** Un outil électrique approprié effectuera le travail mieux et avec davantage de sécurité à la vitesse pour laquelle il a été étudié.
- 4.2 Ne pas utiliser un outil électrique si son interrupteur ne fonctionne pas.** Un outil qui ne peut pas être contrôlé au moyen de son interrupteur est dangereux, et doit obligatoirement être réparé.
- 4.3 Débrancher la fiche de la prise et/ou la batterie de l'outil avant d'effectuer tout réglage, de changer d'accessoire ou de ranger des outils électriques.** De telles mesures préventives de sécurité réduisent le risque de mise en marche intempestive de l'outil électrique.
- 4.4 Ranger les outils électriques inactifs hors de la portée des enfants et ne laisser personne qui n'est pas familiarisé avec l'outil ou ces instructions s'en servir.** L'outil électrique est dangereux dans les mains des utilisateurs non formés à leur emploi.
- 4.5 Entretenir les outils électriques. Vérifier les pièces mobiles pour voir si elles sont désaxées ou grippées, les autres pièces pour voir si elles sont cassées ou dans tout autre état susceptible d'affecter le fonctionnement de l'outil.** Si l'outil électrique est endommagé, le faire réparer avant de s'en resservir. De nombreux accidents sont causés par des outils électriques mal entretenus.
- 4.6 Maintenir les outils de coupe bien aiguisés et propres.** Des outils de coupe entretenus correctement et ayant des arêtes bien aiguisées sont moins susceptibles au grippage et sont plus faciles à contrôler.
- 4.7 Utiliser les outils, accessoires, embouts, etc., conformément aux présentes instructions, et de la manière prévue pour le type d'outil à moteur considéré, en tenant compte des conditions de travail et de la tâche à effectuer.** L'emploi d'un outil électrique pour un usage différent de celui pour lequel il est prévu risque de causer une situation dangereuse.

## 5 Utilisation et entretien d'un outil à batterie

- 5.1 Ne recharger la batterie qu'à l'aide du chargeur spécifié par le fabricant.** Un chargeur adapté à un type de batterie peut créer un risque d'incendie quand il est utilisé avec une autre batterie.
- 5.2 N'utiliser les outils électriques qu'avec les batteries spécifiées.** L'emploi de toute autre batterie peut créer un risque de blessures et d'incendie.
- 5.3 Lorsqu'une batterie n'est pas en service, ne pas l'approcher d'objets métalliques tels que trombones, pièces de monnaie, clés, clous, vis ou autres petits objets métalliques pouvant relier une borne à une autre.** La mise en court-circuit des bornes de la batterie peut entraîner des brûlures ou un incendie.
- 5.4 Si la batterie est maltraitée, du liquide peut en être expulsé ; éviter tout contact. En cas de contact fortuit, rincer à l'eau. Si du liquide touche les yeux, consulter un médecin.** Le liquide expulsé de la batterie peut causer une irritation ou des brûlures.

## 6 Réparation

- 6.1 Faire réparer l'outil électrique par un réparateur qualifié n'utilisant que des pièces de rechange identiques à celles d'origine.** Cela garantira le maintien de la sécurité d'utilisation de l'outil électrique.

# Consignes particulières de sécurité

Les blessures par injection de graisse sont très graves. Ne tenir le flexible que par le ressort de protection. Éviter les démarrages accidentels. S'assurer que l'interrupteur n'est pas enfoncé lors de l'insertion du bloc-batterie.

Remplacer le flexible au premier signe d'usure, de pincement ou de dommage à sa gaine externe. Ne pas courber le flexible au point qu'il soit pincé.

Ne pas trop se pencher en avant. Garder un bon équilibre en permanence. Cela permet un meilleur contrôle de l'outil dans les situations imprévues.

Utiliser un équipement de sécurité. Toujours porter des lunettes de protection.

Porter un masque antipoussière, des chaussures de sécurité à semelle antidérapante, un casque de chantier ou des protecteurs d'oreilles adaptés aux conditions.

Le pistolet utilise des lubrifiants qui peuvent être inflammables et toxiques en cas d'ingestion. Ne pas se servir du pistolet près d'une flamme nue ni de quoi que soit d'autre susceptible de présenter des risques d'incendie. L'emploi de graisses inflammables avec ce graisseur est interdit.

# Sécurité des autres

Cet appareil n'est pas conçu pour être utilisé par des personnes (y compris les enfants) inexpérimentées ou dont les capacités physiques, sensorielles ou mentales sont réduites, sauf si elles sont sous la surveillance ou ont reçu les instructions d'utilisation appropriées de la personne responsable de leur sécurité.

Les enfants doivent être surveillés afin de s'assurer qu'ils ne jouent pas avec l'appareil.

Les graisses sont souvent commercialisées comme convenant aux hautes températures parce qu'elles doivent conserver leurs propriétés lubrifiantes dans les endroits chauds mais les lubrifiants peuvent être inflammables si la température est trop élevée. Lire toutes les mises en garde figurant sur les contenants de lubrifiant avant de se servir de ce pistolet. Ne pas utiliser des graisses inflammables avec ce pistolet graisseur.

#### ⚠ AVERTISSEMENT

N'utiliser aucun flexible non agréé par SKF. Une pression très élevée risque d'entraîner l'éclatement de la rallonge de buse ou du flexible court.

Remplacer le flexible au premier signe d'usure, de pincement ou d'endommagement de la gaine extérieure. Suivre les instructions et les consignes concernant le flexible court. L'inobservation de cette consigne peut entraîner des blessures graves, voire mortelles.

#### ⚠ AVERTISSEMENT

Porter des lunettes de sécurité et des gants pour se protéger pendant l'utilisation. Ne pas approcher les mains de la partie dénudée en caoutchouc du flexible.

L'inobservation de cette consigne peut entraîner des blessures graves, voire mortelles.

## Risques résiduels

D'autres risques résiduels, dont il se peut qu'ils ne soient pas mentionnés dans les mises en garde de ce manuel, peuvent se présenter quand on se sert de l'outil. Ces risques peuvent résulter d'une utilisation incorrecte, prolongée, etc. Même si les règlements de sécurité applicables sont respectés et les dispositifs de sécurité mis en œuvre, certains risques résiduels ne peuvent être évités, parmi lesquels on peut citer les suivants:

- Blessures causées par un contact avec toute pièce en rotation/mouvement.
- Blessures occasionnées lors du remplacement de toute pièce ou accessoire.
- Blessures causées par l'utilisation prolongée d'un outil. Lorsqu'on se sert d'un outil pendant des périodes prolongées, veiller à faire des pauses régulières.
- Troubles auditifs.
- Risques pour la santé causés par l'inhalation de la poussière dégagée lors de l'utilisation de l'outil (par exemple, travail sur du bois, le chêne, le hêtre et les fibres à densité moyenne en particulier).

#### ⚠ AVERTISSEMENT

La valeur d'émission vibratoire enregistrée pendant l'utilisation de l'outil peut différer de la valeur déclarée suivant la façon dont l'outil est utilisé. Le niveau de vibrations peut s'élever au-dessus du niveau déclaré.

les conditions effectives d'utilisation de l'outil et la façon dont il est utilisé, y compris tenir compte de toutes les phases du cycle d'utilisation telles que les périodes d'arrêt et de fonctionnement à vide de l'outil en plus du temps des marche.

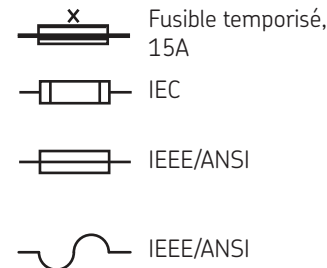
## Étiquettes sur chargeur de batterie

Les symboles suivants sont affichés sur l'outil:

#### ⚠ AVERTISSEMENT

Ne pas faire fonctionner ce graisseur sans avoir lu le manuel d'utilisation.

Le non-respect de cette obligation peut causer des blessures graves ou la mort.



## Vibrations

Les valeurs d'émission vibratoire indiquées dans les caractéristiques techniques et la déclaration de conformité ont été mesurées en appliquant une méthode d'essai standard prévue par la norme européenne 62841 et permettant de comparer un outil à un autre. La valeur d'émission vibratoire déclarée peut également être utilisée dans une première évaluation d'impact.

Lorsqu'on évalue l'impact des vibrations pour déterminer les mesures de sécurité que la directive 2002/44/EC exige pour la protection des personnes utilisant régulièrement des outils électriques professionnellement, une estimation de l'impact des vibrations doit prendre en considération

# Protection de l'environnement

S'il apparaît un jour que ce produit Lincoln a besoin d'être remplacé ou arrive à la fin de sa vie utile, ne pas le jeter avec les ordures ménagères. Préparer ce produit pour un enlèvement séparé.

Les règlements locaux peuvent prévoir un enlèvement séparé des appareils électrodomestiques dans les décharges municipales ou par le revendeur lors de l'achat d'un produit neuf.

## REMARQUE

Collecte séparée. Ce produit ne doit pas être ajouté aux ordures ménagères normales.



## REMARQUE

L'enlèvement séparé de produits et emballages usagés permet le recyclage et la réutilisation de leurs matières.



La réutilisation des matières recyclées aide à empêcher la pollution de l'environnement et réduit la demande de matières premières.

## REMARQUE

Décharger complètement la batterie puis la retirer de l'outil.



Les batteries NiCd, NiMH et Li-Ion sont recyclables. Les apporter chez tout réparateur agréé ou à tout établissement local de recyclage.

# Instructions de sécurité relatives au chargeur et aux batteries

Ce manuel contient d'importantes instructions de sécurité et d'utilisation concernant le chargeur de batterie.

## ⚠ DANGER

Ne pas tester avec des objets conducteurs. Ne pas charger une batterie endommagée. Remplacer la batterie immédiatement. Risque d'électrocution: du courant alternatif de 120 à 230 est présent aux bornes du chargeur.

Leur inobservation peut entraîner des blessures graves, voire mortelles.

## Batteries

- Ne jamais essayer de les ouvrir pour quelque raison que ce soit.
- Ne pas exposer la batterie à l'eau.
- Ne pas les entreposer dans des endroits où la température peut dépasser 40 °C tels que les appentis ou bâtiments métalliques en été.
- Ne les charger qu'à des températures ambiantes de 10 à 40 °C.
- Ne les charger qu'à l'aide du chargeur fourni avec l'outil.
- Lors de la mise au rebut de batteries, suivre les instructions données dans la section *Protection de l'environnement*.

## REMARQUE

Ne pas essayer de recharger des batteries endommagées.



## REMARQUE

Ne pas exposer une batterie au feu.



## ⚠ DANGER

Ne pas exposer une batterie au feu. Ne pas éclabousser ou plonger dans l'eau ou d'autres liquides. Cela peut provoquer une défaillance cellulaire prématurée.

L'inobservation de cette consigne peut entraîner des blessures graves, voire mortelles.

## ⚠ DANGER

Ne jamais essayer d'ouvrir la batterie pour une raison quelconque. Si le boîtier en plastique de la batterie se casse ou se fêle, la faire recycler dans un centre de réparation.

L'inobservation de cette consigne peut entraîner des blessures graves, voire mortelles.

## ⚠ AVERTISSEMENT

Ne charger les batteries avec aucun autre chargeur.

Afin de limiter les risques de blessures, n'utiliser que des chargeurs pour charger la batterie. Les autres types de batteries risqueraient d'éclater.

## Chargeur

- Avant de se servir d'un chargeur de batterie, lire toutes les instructions et conseils de prudence figurant sur le chargeur, la batterie et le produit utilisant celle-ci.
- Ne pas exposer un chargeur à la pluie, à la neige ni au gel.
- Ne pas maltraiter le cordon. Ne jamais transporter le chargeur en le tenant par le cordon ni tirer dessus pour le débrancher. Tirer sur la fiche plutôt que sur le cordon pour débrancher le chargeur. Faire remplacer immédiatement un cordon d'alimentation et dispositif de décharge de traction endommagés ou usés. Ne pas essayer de réparer un cordon d'alimentation.
- S'assurer que le cordon se trouve à un endroit où personne ne marchera ni ne trébuchera dessus et où il ne risquera pas d'être endommagé ni soumis à des contraintes.
- Ne pas se servir d'un cordon prolongateur, sauf en cas de nécessité absolue. L'emploi d'un cordon prolongateur ne convenant pas pourrait faire courir un risque d'incendie et d'électrocution.
- Ne pas se servir d'un chargeur dont le cordon ou la fiche est endommagé. Le remplacer immédiatement pour éviter tout risque. Ne pas essayer de réparer un cordon d'alimentation.
- Ne pas se servir d'un chargeur s'il a été frappé violemment, est tombé ou est autrement endommagé; l'apporter dans un centre de réparation qualifié.
- Débrancher le chargeur de la prise avant de le nettoyer pour limiter le risque d'électrocution.
- Charger la batterie dans un endroit bien aéré; ne pas couvrir le chargeur et la batterie avec quoi que ce soit pendant la charge.
- Ne pas ranger le chargeur ni les batteries dans des endroits où la température risque d'atteindre ou de dépasser 50 °C tels qu'une remise métallique ou une voiture en été, ce qui peut conduire à une détérioration de la batterie.



- Ne pas recharger une batterie lorsque la température est inférieure à 5 °C ou supérieure à 40 °C. Cela est très important pour un fonctionnement correct.
- Ne pas incinérer une batterie. Elle peut exploser dans un feu.
- Ne pas charger une batterie dans des endroits humides ou mouillés.
- Ne pas faire de court-circuit entre les bornes de la batterie. Des températures très élevées pourraient entraîner des blessures ou un incendie.
- Cet appareil n'est pas conçu pour être utilisé par des personnes (y compris les enfants) présentant des capacités physiques, sensorielles ou mentales réduites ou un manque d'expérience et de connaissances.
- Mettre les batteries épuisées au rebut correctement. La batterie contient des piles lithium-ion rechargeables qui doivent être recyclées ou mises au rebut comme il convient. Déposer les batteries épuisées au revendeur de batteries de rechange ou centre de recyclage local.

#### REMARQUE

Lire le manuel d'instructions avant de s'en servir.



#### REMARQUE

Le chargeur dispose d'une isolation double et n'exige par conséquent pas de fil de terre.



Toujours vérifier que la tension du secteur correspond à celle indiquée sur la plaque signalétique.

Ne jamais essayer de remplacer le raccordement au chargeur par celui à une prise de courant ordinaire.

## Sécurité électrique

- Si le cordon d'alimentation est endommagé, il doit être remplacé par le fabricant ou un centre de réparation agréé SKF afin d'éviter un risque quelconque.

## Étiquettes sur chargeur de batterie

Les symboles suivants sont affichés sur l'outil :

#### REMARQUE

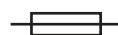
Le chargeur est conçu pour être utilisé à l'intérieur uniquement.



Fusible temporisé,  
15A



IEC



IEEE/ANSI



IEEE/ANSI

# Chargeur et batterie

## Instructions de sécurité relatives au chargeur et aux batteries

Ce manuel contient d'importantes instructions de sécurité et d'utilisation concernant le chargeur TLGB 21-2, TLGB 21-9 et batterie TLGB 21-5, TLGB 21-6.

### ⚠ AVERTISSEMENT

Avant d'utiliser le chargeur de batterie, lire toutes les instructions et mises en garde sur le chargeur de batterie (10), la batterie (9), et les produits qui utilisent la batterie.

Ne pas utiliser de rallonge, sauf si absolument nécessaire. L'utilisation d'une rallonge inadéquate peut créer un risque d'incendie et de choc électrique. S'il est nécessaire d'utiliser une rallonge, s'assurer qu'elle est de calibre 18. Vérifier que le nombre, la taille et la forme des broches de la prise de la rallonge sont identiques à ceux de la prise se trouvant sur le chargeur. S'assurer que la rallonge est câblée correctement et dans un bon état électrique.

Ne pas incinérer la batterie, même si elle est gravement endommagée ou entièrement usée. La batterie pourrait exploser dans un feu.

Si le cordon d'alimentation est endommagé, il doit être remplacé par le fabricant, un agent d'entretien ou des personnes de qualification similaire afin d'éviter des risques éventuels.

Le non-respect des directives peut entraîner la mort ou des blessures graves.

### ⚠ MISE EN GARDE

- Ne pas exposer le chargeur à la pluie, à la neige, ou au gel.
- S'assurer que le cordon est positionné de manière à ce que personne ne puisse marcher ou trébucher dessus, et qu'il ne risque pas de subir des dommages ou une contrainte.
- Ne pas faire fonctionner le chargeur si le cordon ou la prise sont endommagés. Remplacer immédiatement.
- Ne pas faire fonctionner le chargeur s'il a subi un coup brusque, s'il a subi une chute, ou s'il a été endommagé d'une manière quelconque.
- Ne pas désassembler le chargeur.
- Le chargeur est destiné à fonctionner sur une alimentation électrique domestique standard. Ne pas essayer de l'utiliser sur une tension électrique différente.
- Une charge consécutive pourrait créer une surchauffe. S'il est nécessaire de recharger la batterie de manière consécutive, attendre 15 minutes environ pour laisser le chargeur se refroidir.
- Ne pas introduire de corps étranger dans la fente destinée à la batterie dans le stand du chargeur.
- Ne pas désassembler la batterie.
- Ne pas ranger l'ensemble pistolet et batterie dans des endroits où la température pourrait atteindre ou dépasser 40 °C (104 °F).
- Ne pas faire court-circuiter la batterie.
- Ne pas placer le chargeur dans un endroit subissant une chaleur ou un froid extrêmes. Elle fonctionne le mieux à une température ambiante normale.

# Description

Les pistolets modèles TLGB 21/230V et TLGB 21/110V sont destinés à distribuer des graisses à base de pétrole (NLGI 1/ NLGI 2) pour des applications de graissage d'ordre général. Chaque pistolet graisseur est doté d'un moteur électrique ayant trois étapes de réduction d'engrenage, ainsi que d'un mécanisme à bielle et à mandrin qui entraîne la pompe à piston alternatif. Le moteur est alimenté par un bloc-batterie au lithium-ion de 20 volts rechargeable. Le pistolet graisseur est accompagné d'un flexible court haute pression de 1,22 m, d'un coupleur de graissage extra-robuste, d'un chargeur, et d'une mallette moulée. Une lampe à diodes électroluminescentes intégrée (LED), une transmission électronique à deux vitesses et un affichage à cristaux liquides (LCD) rétroéclairé font également partie de l'ensemble. L'affichage LCD est doté d'un indicateur de niveau de la batterie, d'une jauge de niveau de graisse, d'un compteur de graisse, et d'indicateurs qui alertent l'utilisateur en cas de perte d'amorçage et de désamorçage.

Le pistolet graisseur peut communiquer sans fil avec des téléphones mobiles en utilisant l'application SKF par le biais du module Bluetooth (BT) (TLGB 40-10, vendue séparément).

Le module BT (TLGB 40-10) doit être installé sur le dessus du pistolet, et non pas sur le couvercle antipoussière amovible.


La prise est couverte (5) par un couvercle antipoussière lors d'un usage courant.

Chaque modèle de pistolet est conçu pour être chargé de trois manières: par cartouche, succion, et pompe de remplissage.

Les pistolets graisseurs sont amorcés par ressort et comprennent une soupape de purge d'air pour faciliter l'amorçage.

Tableau 1

## Caractéristiques techniques

Capacité du réservoir de graisse	
En vrac	454 g (16 oz)
Taille de la cartouche	397 g (14 oz)
Ensemble de tuyau	
Pression acoustique	689 bar (10 000 psi)
Longueur du flexible	122 cm (48 in)
Intensité de fonctionnement	14.5 to 20 V 
Poids	2,9 kg (6.3 lbs)
Pression de pointe maximale	689 bar (10 000 psi)
Pression maximum de fonctionnement	413 bar (6 000 psi)
Débit <sup>1)</sup>	
Bas débit	170 g/min (6 oz/min)
Haut débit	113 g/min (4 oz/min)
Précision du compteur <sup>1) 2)</sup>	
Haute vitesse	±3%
Faible vitesse	±4%
Plage de compteur	0 à 999 g (0.0 à 999 oz)

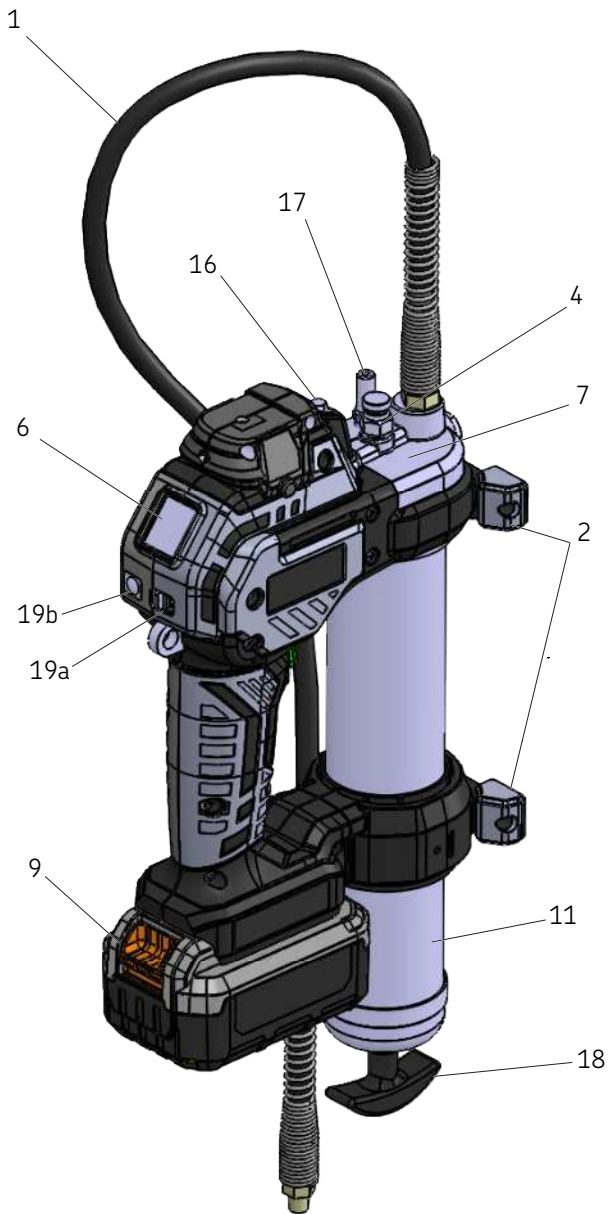
Pression sonore (LpA) 71,5 dB(A), incertitude (K) 3 dB(A). Puissance acoustique (LpA) 82,5 dB(A), incertitude (K) 3 dB(A). Valeur des émissions de vibrations (ah) 0,9 m/s<sup>2</sup>, incertitude (K) 1,5 m/s<sup>2</sup>.

<sup>1)</sup> Graisse au lithium NLGI 2 EP (densité relative 0,92) à 24 °C distribuée à travers l'ensemble de tuyau inclus avec un coupleur de graissage et contre l'ajout d'une pression de 150 psi (10 bar) (stimule le raccord de graissage avec un clapet à bille).

<sup>2)</sup> La précision de dosage est valide pour être utilisée avec la graisse au lithium NLGI 2 EP (densité relative 0,92) à 24 °C.



Fig. 1

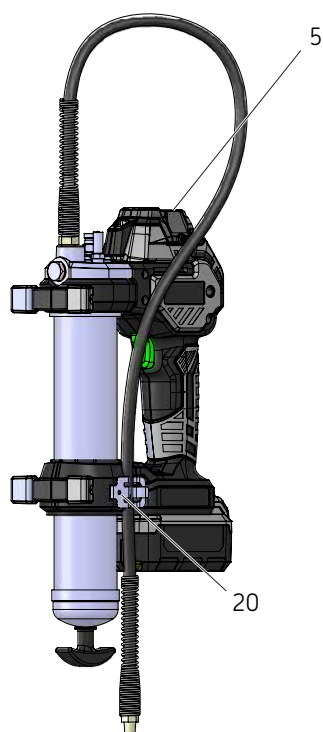


Article	Description	Article	Description
1	Flexible	11	Cylindre à graisse complet
2	Support	16	LED d'éclairage
4	Clapet de mise à l'air libre	17	Clapet de remplissage
6	Écran	18	Tige suiveuse
7	Pompe	19a	Bouton de commande
9	Batterie	19b	Poussoir

## Modèle commercialisé

Modèle	Description	Chargeur	Boîtier
TLGB 21/230V	Pompe à graisse manuelle sur batterie 20V	220 VAC/20V  -50/60 Hz	Oui
TLGB 21/110V	Pompe à graisse manuelle sur batterie 20V	110 VAC/20V  -50/60 Hz	Oui

Fig. 2



TLGB 21 - Standard  
(sans module Bluetooth)

Article	Description
5	Couvercle antipoussière
20	Support de tuyau

## Fonction des voyants rouges et verts sur le chargeur

Lorsque le chargeur est sous tension, le voyant vert clignote une fois.

## Fonctionnement du chargeur





Vérifier que la tension du circuit électrique est la même que celle indiquée sur la plaque de spécifications du chargeur. Assurer que la batterie s'engage correctement avec les contacts du chargeur.

La batterie deviendra légèrement chaude au toucher pendant qu'elle est chargée. Cela est normal et n'indique pas la présence d'un problème.

## Laisser la batterie dans le chargeur

La batterie peut être laissée connectée dans le chargeur avec le voyant LED vert illuminé sur une période indéterminée. Le chargeur fournit un mode de mise au point automatique qui permet de le faire fonctionner à sa capacité de pointe. Mettre les batteries au point toutes les semaines ou lorsqu'elles ne fournissent plus le même niveau de fonctionnement. Pour utiliser les modes de mise au point automatique, mettre la batterie dans le chargeur pendant 8 heures au minimum.

Tableau 3

Affichage LED	
Lumière LED	Description
Vert clignotant 	La batterie est en cours de charge
Vert fixe 	La charge est complète
Voyant rouge clignotant à 4 Hz 	Mauvais état de la batterie. Le chargeur a détecté une batterie faible ou endommagée. Arrêter de recharger la batterie. Retourner le produit à un centre de service ou à un site de collecte pour qu'il soit recyclé (voyant rouge clignotant à 4 Hz).
Voyant rouge clignotant à 1 Hz/5 Hz 	Le chargeur a détecté une batterie trop chaude ou froide. Il déclenche automatiquement une temporisation pour batterie trop chaude ou froide, suspendant la charge jusqu'à ce que la température de la batterie soit redevenue normale. Lorsque la batterie a atteint une température comprise entre 4 °C (40 °C) et 40 °C (104 °C), le chargeur passe automatiquement en mode de charge. Une surchauffe de la batterie peut provenir des raisons suivantes: <ul style="list-style-type: none"><li>• Fonctionnement continu sur une longue période</li><li>• Température ambiante chaude</li><li>• Une ou plusieurs cellules sont endommagées</li></ul>

# Utilisation et entretien de l'outil

## Stockage

- Endroit sec sans poussière
- Pièce bien ventilée
- Durée de stockage : 24 mois maximum
- Humidité relative : <75 %
- Température de stockage : +10 à +40 °C (-50 à +104 °F)
- Pas de lumière solaire directe et pas de rayonnement UV
- Protection contre les sources alentour de chaud ou froid

## Transport

Le produit doit être transporté dans le conteneur d'origine en provenance du fabricant au cours de tous les modes de transport, quelle que soit la distance.

Les produits doivent être emballés dans des conteneurs utilisant des matériaux qui protègent contre les dommages et/ou pertes, afin d'assurer leur sécurité pendant le rechargement, le transport et le stockage.

## Chargement

### REMARQUE

Reportez-vous à la **liste des pièces**, page 23, pour l'identification des composants dans les procédures suivantes.

## Cartouche

- 1 Dévisser le cylindre à graisse (11) du pistolet graisseur (→ Fig. 3).
- 2 Tirer sur le fouloir (18) et enclencher la rainure sur la tige du fouloir avec la fente dans le bouchon du cylindre (21).
- 3 Enlever le bouchon en plastique de la cartouche.
- 4 Appliquez de la graisse à l'intérieur de la cartouche Ceci n'est nécessaire que pour un nouveau pistolet graisseur.
- 5 Introduire la cartouche dans le cylindre (11).
  - 5.1 Enlever la bague d'étanchéité du cylindre.
- 6 Visser le cylindre (11) dans le pistolet graisseur.

7 Dégager la tige du fouloir (18) du bouchon du cylindre (21).

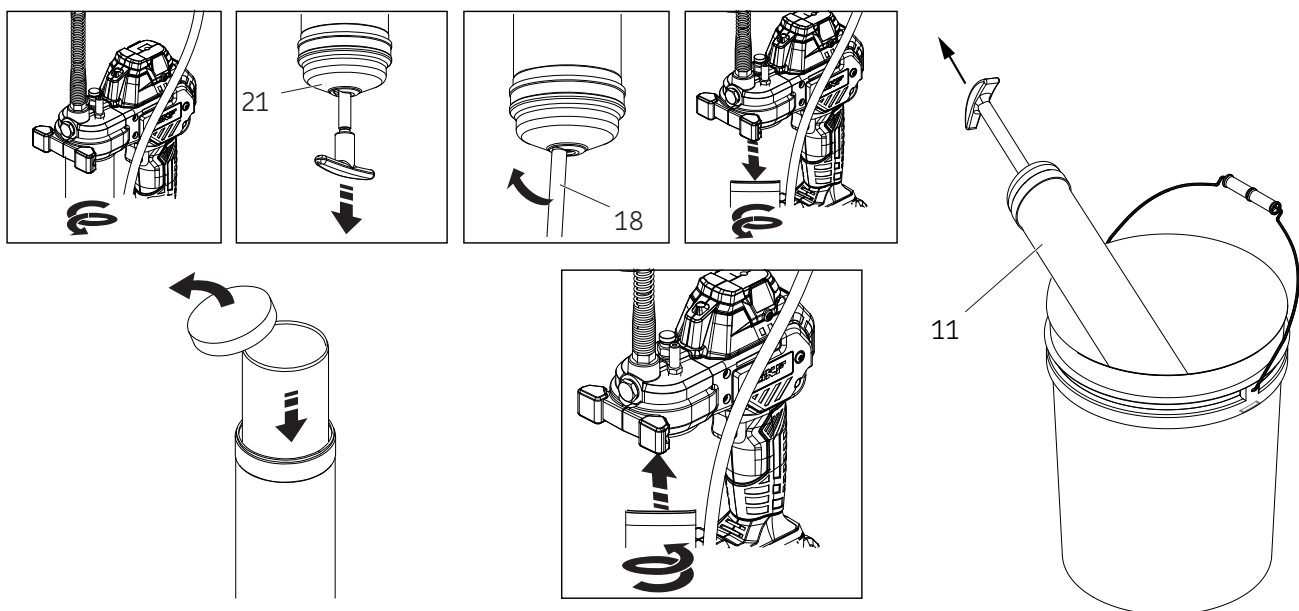
7.1 Pousser la tige du fouloir (18) dans le cylindre (11).

## Succion

- 1 Dévisser le cylindre (11) de la culasse (→ Fig. 3).
- 2 Introduire l'extrémité ouverte du cylindre (11) sous la surface de la graisse.
- 3 Tirer la tige du piston (18) hors du bouchon du cylindre (21) jusqu'à ce que la rainure soit visible.
- 4 Enclencher la rainure (18) sur la tige avec la fente dans le bouchon du cylindre (21).
- 5 Visser le cylindre (11) dans le pistolet graisseur.
- 6 Dégager la tige du fouloir (18) du bouchon du cylindre (21).
  - 6.1 Pousser la tige du fouloir (18) dans le cylindre (11).

Fig. 3

### Charger la cartouche et suction



## Pompe de remplissage

- 1 Tirer la tige du fouloir (18) et engager le fouloir par la tige tournante (→ Fig. 3, page 18).
- 2 Asseoir le raccord du chargeur dans le coupleur du chargeur.
  - 2.1 Appuyer pour maintenir la vanne du coupleur ouverte.
- 3 Faire fonctionner la pompe et observer le mouvement de la tige du fouloir (18).
- 4 Arrêter de faire fonctionner la pompe une fois que la tige du fouloir (18) est visible.
- 5 Dégager la tige suiveuse (18) du suiveur.
- 6 Pousser la tige suiveuse (18) dans la graisse cylindre (11).

### REMARQUE

Le raccord du chargeur situé sur le pistolet doit correspondre au coupleur du chargeur. La pompe risque de ne pas fonctionner si les composants ne sont pas compatibles.

## Amorçage

Dans la plupart des cas, le pistolet est simplement amorcé en faisant fonctionner la gâchette à plusieurs reprises. Si la graisse n'apparaît pas, il sera nécessaire de purger l'air.

## Amorçage forcé

Cette procédure aide à relâcher de l'air manuellement de la vanne de purge.

- 1 Tirer sur le fouloir (18) puis faire tourner jusqu'à verrouillage de la tige sur le fouloir (→ Fig. 3, page 18).
- 2 Ouvrir la vanne de mise à l'air libre en dévissant la tige de deux tours environ.
- 3 Appuyer sur la tige du fouloir (18).
- 4 Lorsque l'air est éliminé, resserrer la tige de la vanne de mise à l'air libre.
- 5 Faire fonctionner le pistolet à plusieurs reprises.
- 6 Lorsque de la graisse apparaît, désengager la tige de fouloir (18) du fouloir et la pousser dans le cylindre à graisse (11).

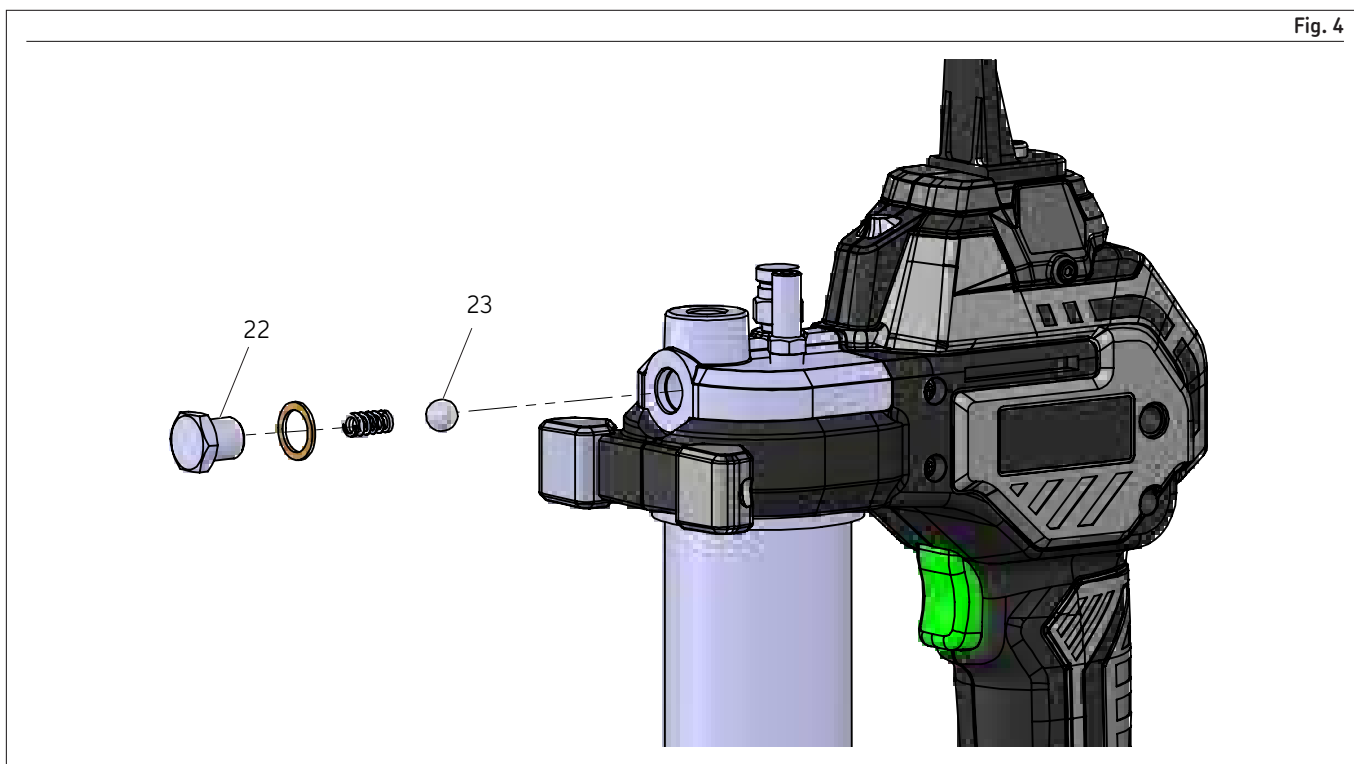
## Contamination du clapet de non-retour

Le clapet de non-retour peut être maintenu ouvert si le pistolet ne s'amorce pas. Retirer le bouchon (22), nettoyer la bille (23), et le siège de la tête (→ Fig. 4).

## Fonctionnement

La batterie (9) est expédiée intentionnellement avec une charge basse. Charger la batterie avant de l'utiliser.

- Se référer à la section sur le fonctionnement du chargeur de batterie pour de l'information détaillée.





### REMARQUE

Le pistolet graisseur est muni d'un logiciel pour protéger le moteur. Le logiciel coupe l'alimentation au moteur et l'écran LCD s'allume avec un rétroéclairage rouge fixe lorsqu'un palier, un engrenage, une ligne ou un raccord graisseur crée un désamorçage du pistolet. Relâcher immédiatement la gâchette si cette situation se produit.

Pour assurer une durée de vie maximale du moteur, ne pas faire fonctionner le dispositif s'il est désamorcé.

Le non-respect des directives peut entraîner des dommages matériels.

### REMARQUE

Le pistolet graisseur se développera à plus ou moins 483 bar (7 000 psi) avant que le logiciel n'entre en mode de blocage et coupe l'alimentation au moteur. Le pistolet restera en mode de blocage pendant 3 secondes avant que le moteur soit remis sous tension.

Le pistolet se bloquera une nouvelle fois si le déclencheur est maintenu continuellement pour développer 586 à 724 bar (8 500 à 10 500 psi).

Relâcher le déclencheur pour permettre un refroidissement pendant 3 secondes avant de réutiliser le dispositif.

## Sélection de débit

Le pistolet est doté d'une transmission électronique à deux vitesses destinée à fournir un débit élevé et un débit bas. Se référer aux caractéristiques techniques en ce qui concerne la performance à chaque vitesse. Une vitesse élevée a lieu lorsque le chiffre **2** est indiqué sur l'interrupteur à glissière (**19a**) (→ Fig. 5). Une pression maximale peut être obtenue à vitesse élevée **2** et à vitesse basse **1**.

### REMARQUE

Le pistolet à graisse passera automatiquement de la petite vitesse **1** à la grande vitesse **2** autour de 241 bar (3 500 psi) pour obtenir une pression plus élevée.

## Fonctions LCD

L'écran à cristaux liquides (LCD) (**6**) comprend un compteur de graisse électronique, une jauge de niveau de graisse, et un indicateur de niveau de la batterie. Pour mettre l'écran LCD en **ON** (MARCHE), taper une fois sur le bouton de réinitialisation (**19b**) (→ Fig. 5).

Pour entrer le mode de réinitialisation, appuyer de façon prolongée sur le bouton de réinitialisation (**19b**). Au bout de 2 secondes, les chiffres du compteur de graisse et les unités de niveau du cylindre à graisse (oz/g) commencent à clignoter.

Le compteur de réinitialisation (**19b**) se remet à zéro lorsque le bouton de réinitialisation (**19b**) est relâché alors que le chiffre du compteur de graisse clignote. La jauge est restaurée au niveau plein lorsque le bouton est relâché alors que les segments de niveau du cylindre à graisse clignotent. Le relâchement du bouton (**19b**) alors que l'unité de mesure clignote change l'unité de mesure.

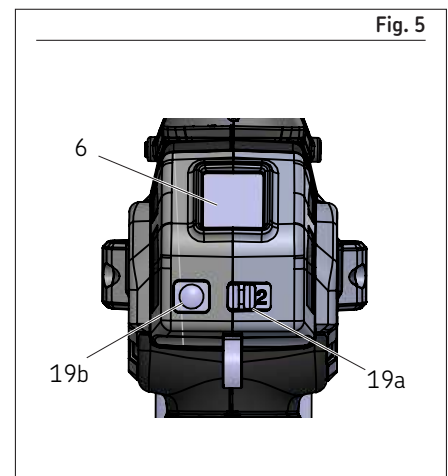
## Indication de désamorçage

Lors d'un état de désamorçage (en cas de ligne ou de raccord bouchés), le pistolet s'arrête de pomper de la graisse et l'écran LCD (**6**) s'allume avec un rétroéclairage rouge. Si cet état se produit, relâcher immédiatement la gâchette. Inspecter, nettoyer, et/ou réparer le passage de graisse avant d'essayer de distribuer de la graisse dans le système.

## Perte d'indication d'amorçage

Une perte d'amorçage a lieu lorsque de l'air est présent dans la graisse ou lorsque le cylindre à graisse est vide. Lorsque cela se produit, l'écran LCD clignote en rouge pour indiquer que le pistolet ne pompe pas de graisse. Pendant la perte d'amorçage, le compteur de graisse ne compte pas les coups de piston vides.

7



## Lampe de poche

Pour allumer (**ON**) la lampe de poche, appuyer une fois sur le bouton de réinitialisation. Si l'écran LCD n'est pas encore activé (**ON**), il est nécessaire d'appuyer deux fois sur le bouton de réinitialisation pour allumer (**ON**) la lampe de poche.

Pour éteindre (**OFF**) la lampe de poche, appuyer une fois sur le bouton de réinitialisation. La lampe de poche s'éteint (**OFF**) automatiquement au bout de 20 secondes, à moins que la gâchette ne soit activée pour distribuer de la graisse. Si l'on appuie sur la gâchette pour faire fonctionner le pistolet, la lampe reste allumée (**ON**) jusqu'à 20 secondes après le relâchement de la gâchette.

### **AVERTISSEMENT**

N'effectuer aucune intervention d'entretien sur ce graisseur avec la batterie installée. Ne pas nettoyer un chargeur branché à une prise de courant.

Le non-respect de cette obligation peut causer des blessures graves ou la mort.

### **REMARQUE**

Nettoyer régulièrement les fentes d'aération de l'outil et du chargeur à l'aide d'une brosse à poils doux ou d'un chiffon sec.

Nettoyer régulièrement la carcasse du moteur à l'aide d'un chiffon humide  
N'utiliser aucun nettoyeur abrasif ni à base de solvant.

## Entretien



Étudié pour fonctionner pendant de longues durées en ne nécessitant qu'un entretien minime. Une satisfaction constante d'utilisation dépend d'un entretien correct de l'outil et d'un nettoyage régulier.

Le chargeur n'exige aucun entretien en dehors d'un nettoyage régulier.



## Dépannage

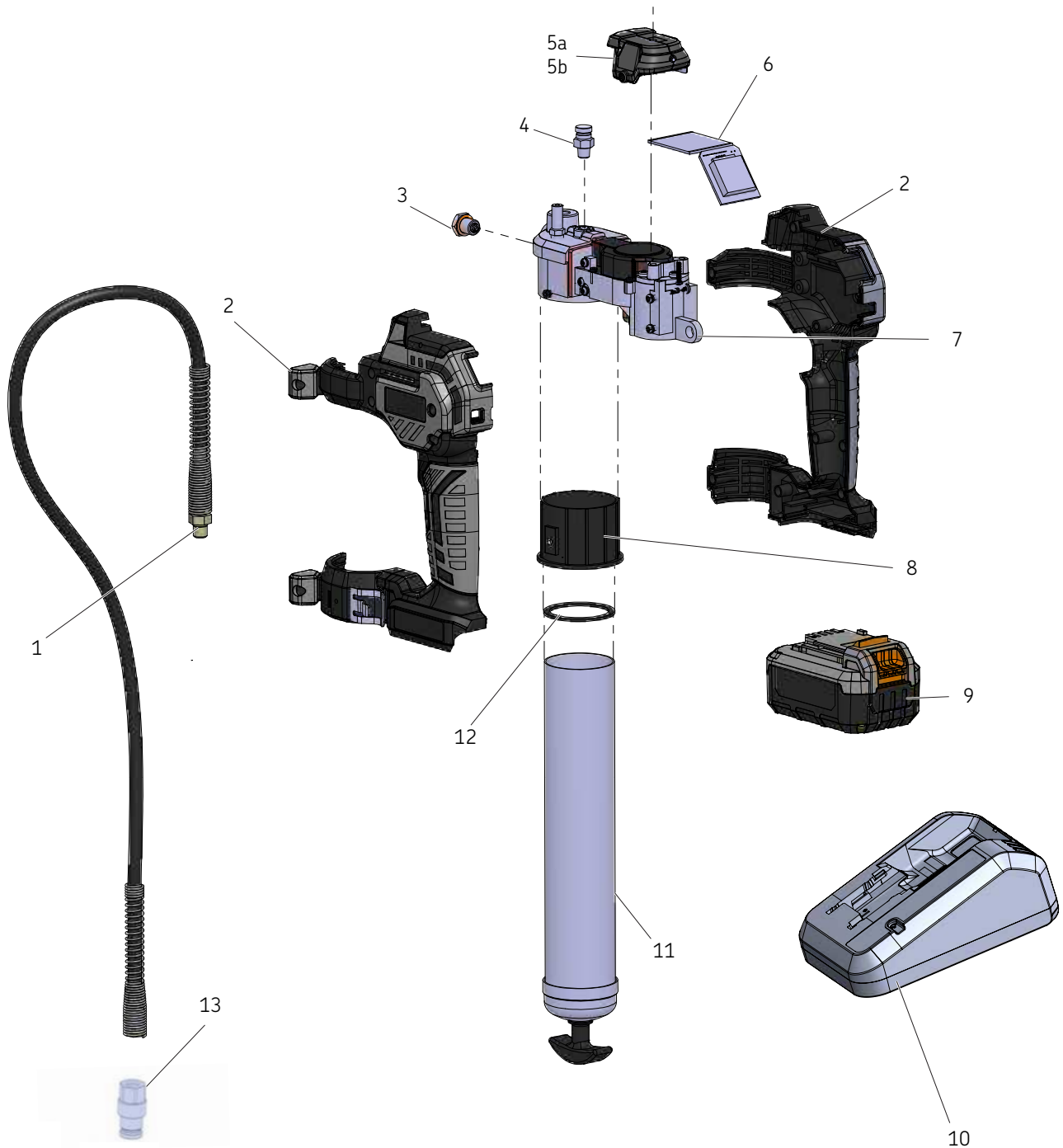
Situation	Cause possible	Mesures correctrices
Le Graisseur ne distribue aucune graisse.	Le tube de graisse est vide.	Vérifier que le tube contient de la graisse.
	Loss of prime.	Répéter l'amorçage.
	Clapet (23) de surpression défectueux.	Déposer le clapet (23), le nettoyer et vérifier l'état de la bille et examiner son siège.
Clignotement en rouge de l'affichage dû à une surcharge du moteur	Flexible court bouché.	Nettoyer ou remplacer le flexible court
	Point de graissage obstrué.	Éliminer les obstructions.
La perte d'amorçage du Graisseur continue.	Flexible court bouché	Nettoyer ou remplacer le flexible court.
	Il se peut que de l'air soit prisonnier dans plusieurs emplacements du contenant après remplissage à partir d'un grand réservoir.	Vider le tube de graisse, le remplir et répéter l'amorçage.
	Poussoir bloqué dans le cylindre à graisse.	Démonter le tube de graisse et le nettoyer. S'assurer que le piston a pénétré correctement dans la cartouche.  Vérifier que le piston n'est pas accroché sur le rebord de la cartouche de graisse.  Remplacer le tube de graisse s'il est endommagé.
La batterie ne se recharge pas.	Le siège et la bille du clapet (23) sont encrassés.	Nettoyer la bille de contrôle et vérifier le siège de la bille.
	Chargeur non alimenté.	Vérifier que la prise est sous tension.
	La batterie peut être défectueuse.	Remplacer la batterie.
Le moteur ne tourne pas.	La batterie a besoin d'être rechargée.	Recharger la batterie.
	Fils défectueux reliés au moteur.	Enlever la batterie, démonter la poignée et vérifier les fils pour voir si les branchements sont desserrés.

### Liste des pièces détachées et kits de pièces

Numéro de pièce	Description
TLGB 21-1	Sangle, épaulement (TLGB)
TLGB 21-2	Batterie SKF Lithium 20V 2.5 Ah
TLGB 21-3	Tuyau long 1219 mm lg avec coupleur
TLGB 21-4	Kit tube de graisse (TLGB)
TLGB 21-5	Chargeur SKF 2A 230 V AC / 20V 
TLGB 21-6	Chargeur SKF 2A 120 V AC / 20V 
TLGB 21-9	Batterie SKF Lithium 20V 4.0 Ah

### Des pièces de rechange

Article	Description
1	Ensemble de tuyau, graisse
2	Boîtier (poignée)
3	Clapet anti-retour
4	Clapet de mise à l'air libre
5a	Godet à poussière (TLGB 21)
5b	Module Bluetooth (TLGB 40-10)
6	Affichage/PCB
7	Pompe
8	Espaceur de tube à graisse avec vis
9	Batterie, 20 V  2,5 Ah Batterie, 20 V  4,0 Ah
10	Chargeur, batterie (120 V c.a./60 Hz) Chargeur, batterie (230 V c.a./50 Hz)
11	Ensemble de cylindre, graisse
12	Joint d'étanchéité
13	Coupleur, graisse
14	Support de téléphone
15	Vis



## Instructions d'utilisation détaillées

Pour obtenir des informations détaillées, utilisez ce lien  
→ [gr.skf.com/lm/Lub-tools/TLGB-21/](https://gr.skf.com/lm/Lub-tools/TLGB-21/)  
sinon contactez votre interlocuteur SKF habituel ou votre distributeur SKF.



## Garantie

Ces instructions ne contiennent aucune information quant à la garantie. Celles-ci sont consultables dans les Conditions Générales de Vente disponibles sur le site Internet: [www.skf.com/lubrification](https://www.skf.com/lubrification).



[skf.com](https://www.skf.com)

© SKF est une marque déposée du Groupe SKF

© SKF Group 2024

Le contenu de cette publication est soumis au copyright de l'éditeur et sa reproduction, même partielle, est interdite sans autorisation écrite préalable. Le plus grand soin a été apporté à l'exactitude des informations données dans cette publication mais SKF décline toute responsabilité pour les pertes ou dommages directs ou indirects découlant de l'utilisation du contenu du présent document.

octobre 2024 · Form MP5499FR Version 2

# Pistola a batteria per grasso

Modelli TLGB 21/230V, TLGB 21/110V



Data di emissione **ottobre 2024**

Numero di codice **MP5499**

Versione **2**

# Indice

<b>Dichiarazione di conformità</b> . . . . .	<b>3</b>
<b>Avvertenze per la sicurezza</b> . . . . .	<b>6</b>
<b>Istruzioni di sicurezza</b> . . . . .	<b>7</b>
Avvertenze generali di sicurezza per gli attrezzi elettrici . . . . .	7
Sicurezza degli altri . . . . .	8
Sicurezza specifica . . . . .	8
Rischi residui . . . . .	9
Vibrazioni . . . . .	9
Etichette su caricabatterie . . . . .	9
Protezione dell'ambiente . . . . .	10
Istruzioni di sicurezza per batteria e caricabatteria . . . . .	11
Batterie . . . . .	11
Caricabatteria . . . . .	11
Sicurezza elettrica . . . . .	12
Batteria e caricabatteria . . . . .	13
Regole di sicurezza per batterie e caricabatterie . . . . .	13
<b>Descrizione</b> . . . . .	<b>14</b>
Dati tecnici . . . . .	14
Modello di vendita . . . . .	16
Funzione di luci rosse e verdi sul caricatore . . . . .	18
Uso del caricabatteria . . . . .	18
Lascia la batteria nel caricatore . . . . .	18
Display a LED . . . . .	18
<b>Uso e cura degli attrezzi</b> . . . . .	<b>19</b>
Caricamento pistola per ingrassaggio . . . . .	19
Caricamento cartuccia . . . . .	19
Caricamento ad aspirazione . . . . .	19
Pompa caricatore . . . . .	19
Adescamento pompa . . . . .	19
Adescamento agevolato . . . . .	19
Funzionamento . . . . .	20
Selezione della velocità . . . . .	20
Funzioni LCD . . . . .	20
Torcia elettrica . . . . .	21
Manutenzione . . . . .	21
<b>Individuazione e soluzione dei problemi</b> . . . . .	<b>22</b>
<b>Distinta pezzi/kit di servizio</b> . . . . .	<b>23</b>
<b>Pezzi di ricambio</b> . . . . .	<b>24</b>
<b>Istruzioni dettagliate</b> . . . . .	<b>28</b>
<b>Garanzia</b> . . . . .	<b>28</b>





## Dichiarazione di Conformità

DOCUMENTO  
MP5499.Doc

### Nome/indirizzo del produttore:

**SKF MPT**

Meidoornkade 14, 3992  
AE Houten, Paesi Bassi

TEL: +1 (31) 610136775

EMAIL: andrea.gondova@skf.com SITIO WEB: [www.skf.com](http://www.skf.com)



La presente dichiarazione di conformità è emessa a sola responsabilità del produttore. Con la presente, SKF MPT dichiara che i macchinari parzialmente completati sotto:

Denominazione: Ingrassatore  
Numeri di modello: TLGB 21  
Descrizione: Pistola a batteria per grasso  
Numeri di modello: TLGB 40-10  
Descrizione: Modulo Bluetooth  
Anno di CE: 2022

usati come previsto, sono conformi alla normativa di armonizzazione dell'Unione in materia:

Direttiva Macchine 2006/42/UE

Compatibilità elettromagnetica  
2014/30/UE (EMC)

Sostanze pericolose 2011/65/UE (RoHS2)

e sono conformi alle seguenti norme armonizzate:

EN 55014-1:2017+A11:2020  
Compatibilità elettromagnetica - Requisiti per elettrodomestici, utensili elettrici e apparecchi simili - Parte 1: Emissione

EN 55014-2:2015  
Compatibilità elettromagnetica - Requisiti per elettrodomestici, utensili elettrici e apparecchi simili - Parte 2: Immunità - Standard per famiglie di prodotti

EN 62841-1:2015  
Utensili manuali a motore elettrico, attrezzi trasportabili e macchine per prato e giardino - Sicurezza - Parte 1: Requisiti generali

EN IEC 63000:2018  
Documentazione tecnica per la valutazione dei prodotti elettrici ed elettronici rispetto all' Restrizioni per sostanze pericolose

EN 301 489-17:2020  
Standard di compatibilità elettromagnetica (EMC) per apparecchiature e servizi radio; Parte 17: Condizioni specifiche per i sistemi di trasmissione dati a banda larga; Standard armonizzato per la compatibilità elettromagnetica

EN 301 489-1:2019  
Standard di compatibilità elettromagnetica (EMC) per apparecchiature e servizi radio; Parte 1: Requisiti tecnici comuni; Standard armonizzato per la compatibilità elettromagnetica

EN 62479: 2010  
Valutazione della conformità delle apparecchiature elettroniche ed elettriche di bassa potenza alle restrizioni di base relative all'esposizione umana ai campi elettromagnetici

Il produttore mantiene un file tecnico di fabbricazione che contiene relazioni di prova e documentazione di prodotto.

Numero del foglio riassuntivo del file tecnico: RAMP5499XX

RoHS2 -Numero del foglio riassuntivo del file tecnico: RoHSMP5499XX

Il sottoscrittore di SKF, con la presente dichiaro che il macchinario sopra specificato, utilizzato come previsto, è conforme alle direttive e agli standard armonizzati di cui sopra al momento dell'immissione sul mercato del suddetto prodotto.

Andrea Gondova  
Responsabile della conformità del prodotto  
AE Houten, Paesi Bassi  
2022/06/17

# Avvertenze per la sicurezza

## NOTA

Enfatizza suggerimenti e raccomandazioni utili nonché informazioni per prevenire danni alla proprietà e garantire operazioni efficienti e senza problemi.

## ⚠ ATTENZIONE

Indica una situazione pericolosa che può portare a lesioni personali leggere se le misure precauzionali vengono ignorate.

## ⚠ AVVERTIMENTO

Indica una situazione pericolosa che potrebbe portare alla morte o lesioni gravi se le misure precauzionali vengono ignorate.

## ⚠ PERICOLO

Indica una situazione pericolosa che porterà a morte o lesioni gravi se le misure precauzionali vengono ignorate.

## ⚠ AVVERTIMENTO

Non usare l'apparecchiatura senza avere letto e comprendere appieno le istruzioni e le avvertenze di sicurezza.



La mancata osservanza delle avvertenze e delle istruzioni può essere causa di lesioni gravi.

## ⚠ ATTENZIONE

Non utilizzare l'apparecchiatura senza equipaggiamento protettivo della persona. Indossare occhiali protettivi.

I dispositivi di protezione come maschere antipolvere, scarpe di sicurezza antiscivolo, elmetti o protezione acustica, in condizioni adatte, riducono le lesioni alla persona.

La mancata osservanza può causare lievi lesioni personali.



## ⚠ AVVERTIMENTO



Non lasciare che parti del corpo siano intrappolate dall'apparecchiatura.

Esse possono essere schiacciate dagli insiemi in funzione.

Il mancato rispetto crea il pericolo di lesioni gravi o letali.

## ⚠ AVVERTIMENTO



Non consentire versamenti di fluido sul pavimento quando si usa l'apparecchiatura. Se si verifica, pulire il versamento di fluido prima di continuare a usare l'apparecchiatura.

Se non lo si fa si corre il pericolo di lesioni gravi o letali.

## ⚠ AVVERTIMENTO

Non usare questa apparecchiatura per fornire, trasportare o conservare sostanze pericolose e miscele secondo l'allegato I parte 2-5 del regolamento sulla loro classificazione, etichettatura e imballaggio (EG 1272/2008) o HCS 29 CFR 1910.1200 contrassegnati dai sottostanti pittogrammi di pericolo GHS01, GHS06 e GHS08:



# Istruzioni di sicurezza

## Avvertenze generali di sicurezza per gli attrezzi elettrici

### ⚠ AVVERTIMENTO

Leggere tutte le istruzioni e avvertenze sulla sicurezza. La mancata osservanza delle avvertenze e delle istruzioni può causare scossa elettrica, incendio e/o lesioni gravi.



Conservare tutte le avvertenze e le istruzioni per riferimento futuro. Nelle avvertenze, il termine "attrezzo elettrico" si riferisce sia agli attrezzi elettrici alimentati da rete (con cordone di alimentazione) che quelli alimentati da batteria (senza cordone di alimentazione).

### 1 Sicurezza dell'area di lavoro

- 1.1 Mantenere l'area di lavoro pulita e ben illuminata.** Le aree di lavoro ingombre e poco illuminate favoriscono gli incidenti.
- 1.2 Non usare attrezzi elettrici in atmosfera potenzialmente esplosiva, come in presenza di liquidi, gas o polveri infiammabili.** Gli attrezzi elettrici creano scintilla che possono accendere polveri o vapori.
- 1.3 Quando si usa un attrezzo elettrico tenere lontani i bambini e gli astanti.** L'operatore può distrarsi e perdere controllo.

### 2 Sicurezza elettrica

- 2.1 La spina degli attrezzi elettrici deve corrispondere alla presa. Non modificare mai la spina in nessun modo. Non usare adattatori di spina con attrezzi elettrici a massa (a terra).** Spine non modificate e prese che si corrispondono ridurranno il rischio di scossa elettrica.
- 2.2 Evitare il contatto del corpo con superfici a massa o a terra, come tubazioni, radiatori, fornelli e frigoriferi.** Se il corpo è a massa o a terra vi è un maggior rischio di scossa elettrica.
- 2.3 Non esporre l'attrezzo elettrico alla pioggia e al bagnato.** Acqua che penetri in un attrezzo elettrico aumenterà il rischio di scossa elettrica.
- 2.4 Non fare cattivo uso del cordone. Non usare mai il cordone per sollevare, trasportare, collegare o scollegare l'attrezzo elettrico. Tenere il cordone lontano da fonti di calore, olio, bordi affilati e parti in movimento.** I cordoni danneggiati o aggrovigliati aumentano il rischio di scossa elettrica.
- 2.5 Quando si usa un attrezzo esterno all'aperto, usare una prolunga adatta per uso all'esterno.** L'uso di una prolunga per uso all'esterno riduce il rischio di scossa elettrica.
- 2.6 Se il funzionamento di un elettrotensile in un luogo umido è inevitabile, utilizzare un'alimentazione protetta da dispositivo a corrente residua (RCD).** L'uso di un interruttore differenziale riduce il rischio di scosse elettriche.

### 3 Sicurezza personale

- 3.1 Quando si usa un attrezzo elettrico, tenersi vigili, fare attenzione a ciò che si sta facendo e usare buon senso.** Non usare attrezzi elettrici quando si è stanchi o quando si sono assunte sostanze tossiche, bevande alcoliche o medicine. Un istante di disattenzione quando si usa l'attrezzo può causare lesioni gravi alla persona.
- 3.2 Usare attrezzature di protezione della persona. Indossare sempre occhiali protettivi.** Attrezzature di protezione come visiera, scarpe antiscivolo, cappello rigido o protezioni auricolari nelle condizioni adatte riducono il rischio di lesioni alla persona.
- 3.3 Evitare l'avvio involontario. Accertarsi che l'interruttore sia in posizione di spento prima di collegare l'alimentazione e/o la batteria e prima di sollevare e trasportare l'attrezzo.** Trasportare apparecchi elettrici con il dito sull'interruttore o mettere sotto tensione attrezzi dotati di interruttore favorisce il verificarsi di incidenti.
- 3.4 Prima di avviare l'attrezzo togliere eventuali chiavi di regolazione.** Le chiavi dimenticate attaccate alla parte ruotante dell'attrezzo elettrico possono causare lesioni alla persona.
- 3.5 Non cercare di raggiungere punti difficili. Tenersi ben saldi sui piedi ed equilibrati in ogni momento.** Così facendo si controlla meglio l'attrezzo in situazioni inaspettate.
- 3.6 Vestire in modo adatto. Non indossare roba larga o gioielleria.** Tenere capelli, vestiario e guanti lontano dalle parti in movimento. Roba larga, gioielleria o capelli lunghi possono essere afferrati dalle parti in movimento.
- 3.7 Se sono previsti dispositivi per il collegamento delle strutture di estrazione e raccolta della polvere, assicurarsi che siano collegati e utilizzati correttamente.** L'uso della raccolta della polvere può ridurre i rischi legati alla polvere.

### 4 Uso e cura degli attrezzi elettrici

- 4.1 Non sforzare l'attrezzo elettrico.** Usare l'attrezzo elettrico adatto per l'applicazione. L'attrezzo elettrico giusto è stato progettato per eseguire il lavoro meglio e in condizioni di maggiore sicurezza.
- 4.2 Non usare l'attrezzo elettrico se l'interruttore di accensione/spegnimento non funziona.** Qualsiasi attrezzo elettrico che non può essere controllato dall'interruttore è pericoloso e deve essere riparato.
- 4.3 Prima di eseguire delle regolazioni, cambiare accessori o riporre l'attrezzo elettrico, scollegare la spina dall'alimentazione e/o la batteria.** Questa misura di sicurezza preventiva riduce il rischio di avviare l'attrezzo accidentalmente.
- 4.4 Riporre attrezzi non in uso fuori della portata dei bambini e non consentire che persone che non sono familiari con le presenti istruzioni usino gli attrezzi elettrici.** Gli attrezzi elettrici sono pericolosi nelle mani di utenti non addestrati.
- 4.5 Tenere gli attrezzi elettrici in ordine.** Controllare che non ci siano parti non allineate, parti che legano o parti rotte e altre condizioni che possono influire sulla funzionalità dell'attrezzo. Se l'attrezzo è danneggiato, ripararlo prima dell'uso. Molti incidenti sono causati da manutenzione cattiva dell'attrezzo.
- 4.6 Mantenere gli attrezzi di taglio affilati e puliti.** Gli attrezzi di taglio ben mantenuti, con fili di taglio ben affilati, si incepano più difficilmente e sono più facili da controllare.
- 4.7 Usare l'attrezzo elettrico, gli accessori e le punte, ecc. seguendo le presenti istruzioni, e nel modo previsto per il tipo particolare di attrezzo, tenendo conto delle condizioni di lavoro e del lavoro da eseguire.** L'uso dell'attrezzo elettrico per operazioni diverse da quelle previste può risultare in condizioni pericolose.

## 5 Uso e cura degli attrezzi a batteria

- 5.1 Ricaricare il pacco batteria servendosi solo del caricabatteria specificato dal produttore.** Un caricabatteria adatto per un certo tipo di batteria può creare il rischio d'incendio se viene usato con un tipo di batteria diverso.
- 5.2 Usare gli attrezzi solo con il pacco batteria progettato specificamente per loro.** L'uso di un qualunque pacco batteria diverso può creare il rischio d'incendio o di lesioni.
- 5.3 Quando il pacco batteria non è in uso, tenerlo lontano da oggetti metallici come fermagli da carta, monete, chiavi, chiodi, viti o altri piccoli oggetti metallici che possono creare un collegamento tra un terminale e l'altro.** Un cortocircuito dei terminali della batteria può causare bruciate o incendio.
- 5.4 In condizioni di uso improprio, può venire espulso liquido dalla batteria; evitare il contatto.** Liquido espulso dalla batteria può essere causa di irritazione o bruciate. In caso di contatto accidentale, lavare a fondo con acqua. Se il liquido viene a contatto con gli occhi, rivolgersi al medico. Il liquido espulso dalla batteria può essere causa di irritazione o bruciate.

## 6 Riparazione

- 6.1 Incaricare delle riparazioni solo personale qualificato per tali interventi che usa parti di ricambio identiche.** Così facendo si garantirà che l'attrezzo elettrico continui a essere sicuro.

## Sicurezza degli altri

Questo apparecchio non è stato progettato per l'uso da parte di persone (compreso i bambini) con capacità fisiche, sensoriali o mentali ridotte, o che non hanno la necessaria esperienza e conoscenza, a meno che tale uso non sia fatto sotto la diretta supervisione e seguendo le istruzioni di una persona familiare con l'uso dell'apparecchio e responsabile per la loro sicurezza.

I bambini devono essere supervisionati per accertarsi che non giochino con l'apparecchio.

## Sicurezza specifica

Le lesioni molto gravi. Tenere la manichetta solo dall'area della protezione della molla. Evitare l'avvio accidentale. Prima di inserire il pacco batteria, accertarsi che l'interruttore non sia premuto.

Sostituire la manichetta non appena mostra segni di usura, difetto o danno sul rivestimento di protezione esterno. Non piegare la manichetta in modo da annodarla.

Non cercare di raggiungere punti difficili. Tenersi ben saldi sui piedi ed equilibrati in ogni momento. La posizione adatta e ben equilibrata permette di controllare l'attrezzo in situazioni inaspettate.

Usare attrezzature di sicurezza. Indossare sempre occhiali protettivi.

Per una condizione di lavoro giusta si devono usare visiera, scarpe antiscivolo, cappello rigido o protezione auricolare.

L'ingrassatore usa sostanze lubrificanti che possono essere infiammabili e velenose se ingerite. Non usare l'ingrassatore in vicinanza di fiamme vive o altri pericoli d'incendio. Non usare grasso infiammabile con questo ingrassatore.

Il grasso viene spesso commercializzato come sostanza ad alta temperatura perché deve conservare le proprietà lubrificanti in punti che diventano molto caldi, ma può diventare infiammabile se la temperatura è troppo alta. Prima di usare l'ingrassatore, leggere le avvertenze per il lubrificante. Non usare grasso infiammabile con questo ingrassatore.

#### ⚠ AVVERTENZA

Non usare nessuna manichetta che non sia stata approvata da SKF. La pressione eccessiva può far sì che l'ugello si rompa o la manichetta flessibile scoppi.

Sostituire la manichetta non appena mostra segni di usura, difetto o danno sul rivestimento di protezione esterno.

Osservare le istruzioni e le avvertenze della manichetta flessibile. La mancata osservanza può essere causa di lesioni gravi o morte.

#### ⚠ AVVERTENZA

Usare occhiali e guanti di protezione quando lo si usa. Tenere le mani lontane dalle parti in gomma esposte della manichetta.

La mancata osservanza può essere causa di lesioni gravi e/o morte.

## Rischi residui

Durante l'uso dell'attrezzo possono insorgere altri rischi residui che non sono elencati nelle avvertenze di sicurezza qui accluse. Questi sono rischi dovuti a cattivo uso, uso prolungato e così via.

Anche quando si osservano tutte le norme di sicurezza e si usano i dispositivi di sicurezza del caso, certi rischi residui non possono essere evitati. Essi comprendono:

- Lesioni causate dal contatto con parti ruotanti o in movimento.
- Lesioni causate quando si cambiano parti o accessori.
- Lesioni causate dall'uso prolungato dell'attrezzo. Fare delle soste quando si deve usare un attrezzo per un lungo periodo di tempo.
- Compromissione dell'udito.
- Pericoli per la salute dovuti all'inalazione della polvere sviluppata dall'uso dell'attrezzo (ad esempio: lavorando con il legno, specialmente quello di quercia, faggio e MDF).

#### ⚠ AVVERTENZA

Le vibrazioni emesse durante l'uso dell'attrezzo elettrico possono differire dal valore nominale dipendendo da come è usato l'attrezzo. Il livello di vibrazioni può risultare più alto di quello dichiarato.

utilizzato, compreso tutte le fasi del ciclo operativo, come tutte le volte in cui l'attrezzo è spento o in marcia o in attesa, oltre al tempo di lavoro effettivo.

## Etichette su caricabatterie

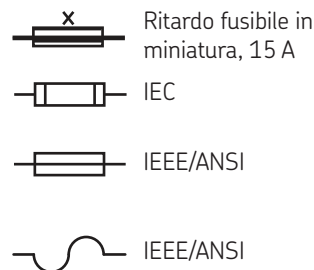
I seguenti simboli sono mostrati sullo strumento:

#### ⚠ AVVERTENZA

Non usare l'ingrassatore senza avere letto il manuale d'istruzione.



La mancata osservanza può essere causa di lesioni gravi e/o morte.



## Vibrazioni

Il valore nominale delle vibrazioni indicato nei dati tecnici e nella dichiarazione di conformità sono stati misurati secondo i metodi di test standard previsti dall'EN 62841 e possono essere usati per paragonare un attrezzo con un altro.

I valori nominali di vibrazione possono essere usati anche per una valutazione preliminare dell'esposizione.

Quando si valuta l'esposizione a vibrazioni per stabilire le misure di sicurezza richieste da 2002/44/EC per proteggere persone che usano normalmente attrezzi elettrici nel corso del loro impiego, la stima dell'esposizione alle vibrazioni dovrebbe prendere in considerazione il modo in cui l'attrezzo è

# Protezione dell'ambiente

Qualora venisse il momento di sostituirlo, o se esso non serve più, non eliminare il prodotto SKF collocandolo nei rifiuti domestici. Eliminare il prodotto a parte.

Le norme locali possono prevedere una raccolta dei prodotti elettrici separata dai rifiuti domestici, presso una discarica municipale o presso il rivenditore dove si è acquistato il prodotto quando era nuovo.

## NOTA

Raccolta a parte. Questo prodotto non deve essere eliminato con i rifiuti domestici.



## NOTA

La raccolta separata di prodotti usati, e confezioni che non servono, più consente il riciclaggio e il riutilizzo dei materiali.



Il riutilizzo di materiali riciclati aiuta a evitare l'inquinamento dell'ambiente e riduce il fabbisogno di materie prime.

## NOTA

Scaricare completamente la batteria e quindi toglierla dall'attrezzo.



Le batterie NiCd, NiMH e Li-Ion sono riciclabili. Portarle a un qualsiasi agente autorizzato o alla discarica di riciclaggio locale.

# Istruzioni di sicurezza per batteria e caricabatteria

Il presente manuale contiene importanti istruzioni di sicurezza e operative per il caricabatteria.

## ⚠ PERICOLO

Non sondare con oggetti conduttivi.

Non caricare una batteria danneggiata. Sostituire immediatamente.

Rischio di elettro-shock dovuto alla tensione di 120 V c.a. o 230 V c.a. sui terminali del caricatore.

Se non lo si fa si corre il pericolo di lesioni gravi o letali.

## Batterie

- Non tentare mai di aprire per una ragione qualsiasi.
- Non esporre la batteria all'acqua.
- Non riporre in luoghi in cui la temperatura può superare i 40 °C (105 °F) come in capanni esterni o fabbricati di metallo durante l'estate.
- Caricare solo in ambienti la cui temperatura sia tra 10 e 40 °C (50 e 104 °F).
- Caricare solo con il caricabatteria in dotazione all'attrezzo.
- Per smaltire le batterie, seguire le istruzioni fornite nella sezione "Protezione dell'ambiente".

## NOTA

Non cercare di caricare batterie danneggiate.



## NOTA

Non esporre la batteria al fuoco.



## ⚠ PERICOLO

Non esporre la batteria a scintille o fiamma viva.

Il liquido della batteria può ustionare.

Non spruzzare o immergere in acqua o altri liquidi. Così facendo si può causare un guasto prematuro delle celle.

Se non lo si fa si corre il pericolo di lesioni gravi o letali.

## ⚠ PERICOLO

Non tentare mai di aprire il pacco batteria per una ragione qualsiasi. Se la custodia di plastica si rompe o si incrina, mandare la batteria a un centro servizi perché sia riciclata.

Se non lo si fa si corre il pericolo di lesioni gravi o letali.

## ⚠ ATTENZIONE

Non caricare i pacchi batterie con caricabatterie diversi.

Non caricare altri tipi di batterie con il caricabatteria. Altri tipi di batterie possono esplodere.

Non pulire il caricabatteria quando è collegato alla presa di corrente.

La mancata osservanza di queste precauzioni può causare gravi lesioni personali.

## Caricabatteria

- Prima di usare il caricabatteria, leggere tutte le istruzioni e segnalazioni di avvertimento sul caricabatteria e sul prodotto che utilizza il pacco batteria.
- Non esporre il caricabatteria a pioggia, neve o brinate.
- Non fare cattivo uso del cordone. Non portare mai il caricabatteria tenendolo dal cordone e non tirare il cordone per scollarlo dalla presa. Quando si scollega il caricabatteria tirare dalla spina e non dal cordone. Sostituire immediatamente un cordone di alimentazione e serracavo che fossero danneggiati. Non tentare di riparare il cordone di alimentazione.
- Accertarsi che il cordone sia situato in modo da non essere calpestato, da potervi inciampare o da essere danneggiato in altro modo.
- Non usare una prolunga a meno che non sia strettamente necessario. L'uso di una prolunga inadatta può creare il rischio d'incendio o di scossa elettrica.
- Non usare il caricabatteria se ha subito un forte urto, se è caduto, o è stato danneggiato in qualunque altro modo; portarlo a un centro di servizio qualificato.
- Non smontare il caricabatteria o il pacco batteria. Se si rende necessario un intervento di servizio o riparazione, portare l'articolo a un centro di servizio qualificato. Il montaggio incorretto può creare il rischio di scossa elettrica o incendio.
- Per ridurre il rischio di scossa elettrica, scollegare il caricabatteria dalla presa prima di pulirlo.
- Caricare il pacco batteria in un luogo ben ventilato; non coprire in nessun modo il caricabatteria e la batteria durante la carica.
- Non riporre il caricabatteria o pacco batteria in un luogo in cui la temperatura può raggiungere o superare i 50 °C, come una baracca di metallo per attrezzi durante l'estate; ciò potrebbe deperire la batteria riposta.

- Non caricare il pacco batteria a temperature sotto 5 °C o sopra i 40 °C. Ciò è importantissimo per il funzionamento corretto.
- Non incenerire il pacco batteria. Potrebbe esplodere e incendiarsi.
- Non caricare la batteria in un luogo umido o bagnato.
- Questo apparecchio non è stato progettato per l'uso da parte di persone (compreso i bambini) con capacità fisiche, sensoriali o mentali ridotte.
- Questo attrezzo non è indicato per l'uso da parte di persone (compreso i bambini) con capacità fisiche, sensoriali o mentali ridotte o che non hanno esperienza e conoscenza.
- Queste batterie devono essere riciclate o eliminate in modo opportuno. Portare le batterie esaurite a un rivenditore o a un centro di riciclaggio locale.

#### NOTA

Leggere il manuale di istruzioni prima dell'uso.



#### NOTA

Non tentare di sostituire il caricabatterie con una normale spina principale.



Il caricabatterie è a doppio isolamento e non è richiesto alcun filo di terra.

Verificare che la tensione di rete corrisponda alla tensione sulla targhetta dei dati tecnici.

#### NOTA

Il caricabatteria è stato progettato solo per l'uso all'interno.



## Etichette accese caricabatterie

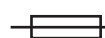
Sull'utensile sono visualizzati i seguenti simboli:



Ritardo fusibile in miniatura, 15 A



IEC



IEEE/ANSI



IEEE/ANSI

## Sicurezza elettrica

- Se il cavo di alimentazione è danneggiato, deve essere sostituito dal produttore o dal centro di assistenza SKF autorizzato evitare il pericolo.



# Batteria e caricabatteria

## Regole di sicurezza per batterie e caricabatterie

Il presente manuale contiene importanti istruzioni di sicurezza e operative per le batterie con numero di parte TLGB 21-2 e TLGB 21-9 e i caricabatterie con numero di parte TLGB 21-5 e TLGB 21-6.

### ⚠ AVVERTENZA

Prima di usare il caricabatteria, leggere le istruzioni e le marcature precauzionali apposte sul caricabatteria (10), sulla batteria (9) e sui prodotti che la usano.

Non si dovrebbe usare una prolunga a meno che non sia del tutto necessaria. L'uso di una prolunga inadatta può creare il rischio di incendio o elettro-shock. Qualora si renda necessario il suo uso, accertarsi che la prolunga sia di calibro 18. Controllare e accertarsi che i poli della spina della prolunga siano lo stesso numero, misura e forma di quelli del caricabatteria. Accertarsi che la prolunga sia cablata in modo corretto e in buone condizioni elettriche.

Non bruciare la batteria anche se gravemente danneggiata o completamente consumata. La batteria potrebbe esplodere incendiandosi.

Per evitare pericoli, i cordoni in dotazione danneggiati devono essere sostituiti dal produttore, da un rappresentante di servizio o da altra persona similmente qualificata.

Se non lo si fa si corre il pericolo di lesioni gravi o letali.

### ⚠ ATTENZIONE

- Non esporre il caricabatteria a pioggia, neve o gelo.
- Accertarsi che il cordone sia sistemato in modo da non essere calpestato, creare inciampi o sottoposto in altro modo a danneggiamento o sollecitazione.
- Non usare il caricabatteria se il cordone o la spina sono danneggiati. Sostituire immediatamente.
- Non usare il caricabatteria se ha subito un forte colpo, è caduto o è stato danneggiato in qualsiasi altro modo.
- Non smontare il caricabatteria.
- Il caricabatteria è progettato per essere usato con energia elettrica standard di ambiente domestico.
- Non cercare di usarlo con altre tensioni.
- Cariche consecutive possono causare surriscaldamento. Se lo si deve usare consecutivamente, lasciare che il caricabatteria si raffreddi per 15 minuti tra una carica e l'altra.
- Non inserire oggetti estranei nell'alloggiamento del caricabatteria sul suo supporto.
- Non smontare la batteria.
- Non riporre il gruppo della pistola e batteria in un luogo la cui temperatura possa raggiungere 40 °C (104 °F).
- Non cortocircuitare la batteria.
- Non mettere il caricabatteria in un posto di calore o freddo estremo. Le prestazioni migliori si ottengono a temperatura ambiente.

# Descrizione

Le pistole modello TLGB 21/230V e TLGB 21/110V sono progettate per distribuire grassi a base di petrolio (NLGI 1/ NLGI 2) per applicazioni di lubrificazione generali. Ogni pistola per ingrassaggio è dotata di motore elettrico con riduttore di ingranaggi a tre stadi e meccanismo biella-manovella che aziona la pompa a pistone alternativa. Il motore è alimentato da un pacco batteria agli ioni di litio ricaricabile da 20 V. Include nella pistola per ingrassaggio sono una manichetta d'alta pressione di 1,11 m (48 pollici), un raccordo del grasso molto resistente e una valigetta per il trasporto. Vi sono anche una torcia elettrica a LED incorporata, una trasmissione elettronica a due velocità e un display a cristalli liquidi retroilluminato (LCD). Il display LCD visualizza l'indicatore di carica della batteria e di livello del grasso, il misuratore del grasso e gli indicatori di avvertimento di perdita di adescamento e stallo.


La pistola per ingrassaggio è capace di comunicazioni wireless con i telefoni mobili usando l'applicazione SKF con il modulo Bluetooth (BT) (TLGB 40-10, venduto separatamente). Il modulo BT (TLGB 40-10) deve essere installato sulla pistola, e non sulla copertura antipolvere rimovibile.

Quando il modulo (TLGB 40-10) non è installato, la spina è coperta da un parapolvere (5).

Tutti i modelli sono progettati con tre modi di caricamento: cartuccia, ad aspirazione e pompa caricatore. Le pompe di ingrassaggio sono innescate a molla e comprendono una valvola di sfogo dell'aria per facilitare l'adescamento.

Tabella 1

## Dati tecnici

Capacità del serbatoio del grasso	
Quantità	454 g (16 oz)
Misura cartuccia	397 g (14 oz)
Gruppo manichetta	
Pressione nominale	689 bar (10 000 psi)
Lunghezza della manichetta	122 cm (48 in)
Corrente di funzionamento	14.5 to 20 V 
Peso	2,9 kg (6.3 lbs)
Massima pressione di picco	689 bar (10 000 psi)
Pressione di esercizio massima	413 bar (6 000 psi)
Tasso portata <sup>1)</sup>	
Erogazione minima	170 g/min (6 oz/min)
Erogazione massima	113 g/min (4 oz/min)
Precisione misuratore <sup>1) 2)</sup>	
Velocità alta	±3%
Velocità bassa	±4%
Campo del misuratore	0 a 999 g (0.0 a 999 oz)

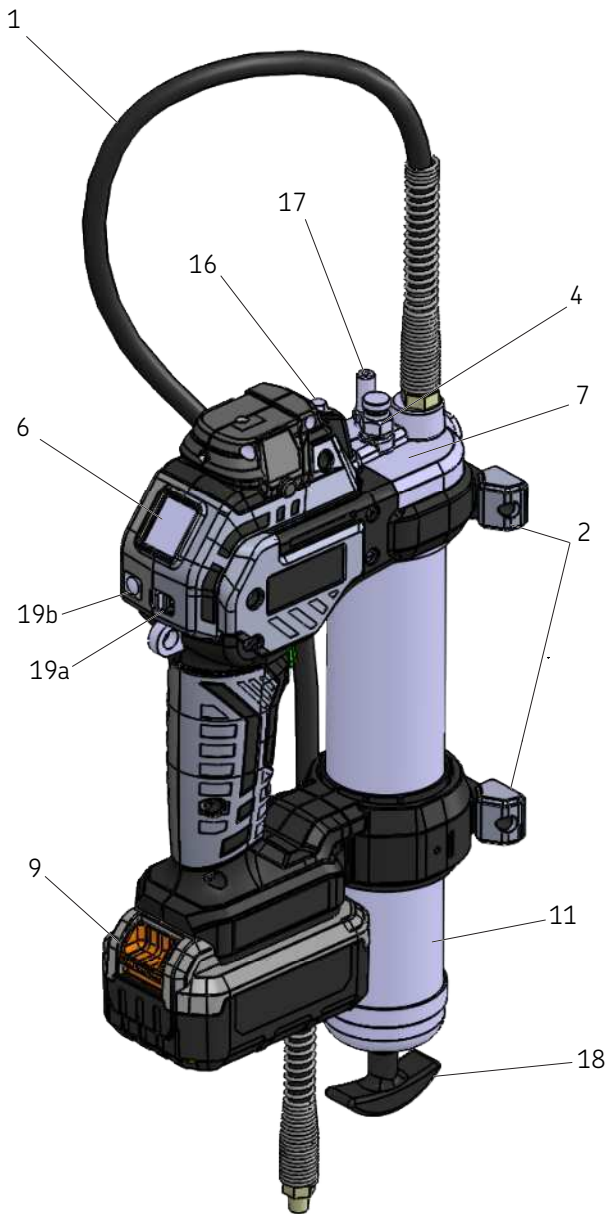
Pressione sonora (LpA) 71,5 dB(A), incertezza (K) 3 dB(A). Potenza acustica (LwA) 82,5 dB(A), incertezza (K) 3 dB(A). Valore di emissione vibrazioni (ah) 0,9 m/s<sup>2</sup>, incertezza (K) 1,5 m/s<sup>2</sup>.

<sup>1)</sup> Grasso al litio NLGI 2 EP (peso specifico 0,92) a 24 °C (75 °F) erogato attraverso il gruppo manichetta in dotazione con raccordo del grasso e resistenza di pressione supplementare di 10 bar (150 psi) che simula un raccordo con valvola di ritegno a sfera.

<sup>2)</sup> La precisione del misuratore è valida quando si usa grasso al litio NLGI 2 (peso specifico 0,92) a 24 °C (75 °F).



Fig. 1

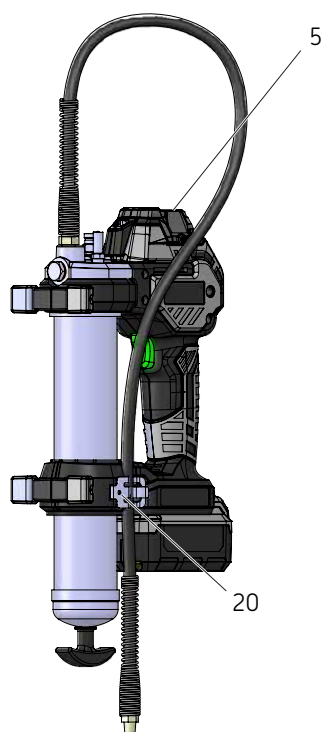


Articolo	Descrizione	Articolo	Descrizione
1	Manichetta	11	Gruppo del tubo del grasso
2	Supporto	16	Luce a LED
4	Valvola di sfiato	17	Valvola del contenitore
6	Schermo	18	Maniglia del cedente
7	Gruppo della pompa	19a	Interruttore a scorrimento
9	Batteria	19b	Pulsante di reset

Modello di vendita

Modello	Descrizione	Caricabatteria	Cassa
TLGB 21/230V	Pistola a batteria per grasso 20V	220 VAC/20V  -50/60 Hz	Sì
TLGB 21/110V	Pistola a batteria per grasso 20V	110 VAC/20V  -50/60 Hz	Sì

Fig. 2



TLGB 21 - Standard  
(senza modulo Bluetooth)

Articolo	Descrizione
5	Copertura antipolvere
20	Hose holder

## Funzione di luci rosse e verdi sul caricatore

Quando il caricabatterie è acceso, la luce verde lampeggia una volta.

## Uso del caricabatteria

Verificare che la tensione del circuito di alimentazione sia la stessa di quella indicata sulla targhetta dati del caricabatteria.

Accertarsi che la batteria faccia contatto con il caricabatteria.





La batteria sarà leggermente calda al tatto mentre si carica. La cosa è normale e non il sintomo di un problema.

## Lascia la batteria nel caricatore

La batteria può essere lasciata nel caricabatteria a tempo indeterminato quando il LED è verde. Il caricabatteria è dotato di modalità di messa a punto che gli permette di funzionare a capacità di picco. Eseguire la messa a punto settimanalmente o quando la prestazione della batteria diminuisce. Per usare le modalità di messa a punto automatiche, mettere la batteria nel caricabatteria per un minimo di 8 ore.

Tabella 3

### Display a LED

Luce a led	Descrizione
Verde lampeggiante 	Batteria in carica
Verde fisso 	Carica completa
La luce rossa lampeggia a 4 Hz 	Cattive condizioni della batteria. Il caricabatteria ha rilevato che la batteria è debole o danneggiata. Arrestare il caricamento della batteria. Mandare a un centro di servizio o a un centro di raccolta per riciclaggio (luce rossa lampeggiante a 4 Hz).
La luce rossa lampeggia a 1/5 Hz 	Il caricabatteria ha rilevato che la batteria è troppo calda o troppo fredda. Ritarda automaticamente l'inizio della carica per caldo/freddo fino a quando la temperatura della batteria non si è normalizzata. Quando la batteria raggiunge una temperatura tra 4 e 40 °C (40 e 104 °F), il caricabatteria si mette automaticamente in modalità di carica. La batteria può surriscaldarsi a causa di: <ul style="list-style-type: none"><li>• Lungo uso continuativo</li><li>• Alta temperatura ambientale</li><li>• Danneggiamento di una o più celle</li></ul>

# Uso e cura degli attrezzi

## Conservazione

- Luogo asciutto senza polvere
- Stanza ben ventilata
- Durata di conservazione: massima di 24 mesi
- Umidità relativa: <75 %
- Temperatura di conservazione: da +10 a +40 °C (da +50 a +104 °F)
- Nessuna esposizione a luce solare diretta o radiazione UV
- Protezione da fonti di calore e di freddo vicine.

## Trasporto

Il prodotto deve essere trasportato nel suo contenitore originale dal produttore con tutti i mezzi di trasporto, indipendentemente dalla distanza.

Per garantire la sicurezza durante il caricamento e scaricamento, trasporto e conservazione, il prodotto deve essere imballato in contenitori utilizzando materiali che lo proteggano da danni e/o perdita.

## Caricamento pistola per ingrassaggio

### NOTA

Per l'identificazione dei componenti nelle procedure seguenti, vedere la distinta parti, **pagina 23**.

## Caricamento cartuccia

- 1 Svitare il cilindro del grasso (11) dalla pistola per ingrassaggio (→ Fig. 3).
- 2 Estrarre l'asta del seguitore (18) e agganciare il suo incastro (18) nell'apertura del tappo del cilindro del grasso (21).
- 3 Togliere la copertura di plastica della cartuccia.
- 4 Applicare un velo di grasso sulla superficie interna esposta della cartuccia. Ciò è necessario solo per le pistole nuove.
- 5 Inserire la cartuccia nel cilindro del grasso (11).

5.1 Rimuovere la guarnizione a linguetta dalla cartuccia.

6 Avvitare il cilindro del grasso (11) alla pistola.

7 Sganciare l'asta del seguitore (18) dall'apertura nel tappo del cilindro del grasso (21).

7.1 Spingere l'asta del seguitore (18) nel cilindro del grasso (11).

## Caricamento ad aspirazione

1 Svitare il cilindro del grasso (11) dalla pistola (→ Fig. 3).

2 Immergere la testa del cilindro del grasso (11) sotto la superficie del grasso.

3 Estrarre lentamente l'asta del seguitore (18) fuori dal tappo del cilindro del grasso (21) finché non sia visibile l'incastro.

4 Agganciare l'asta del seguitore (18) all'apertura nel tappo del cilindro del grasso (21).

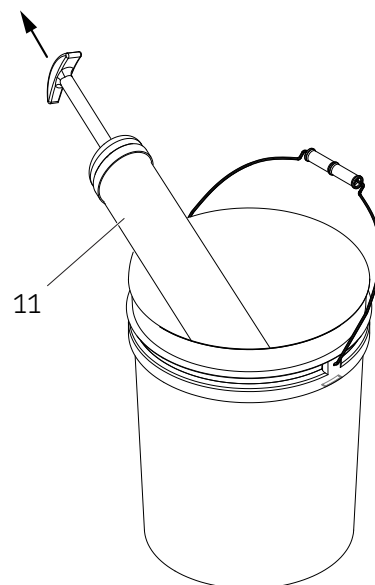
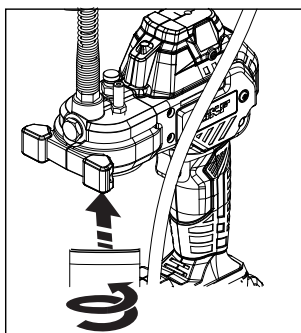
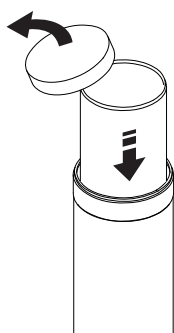
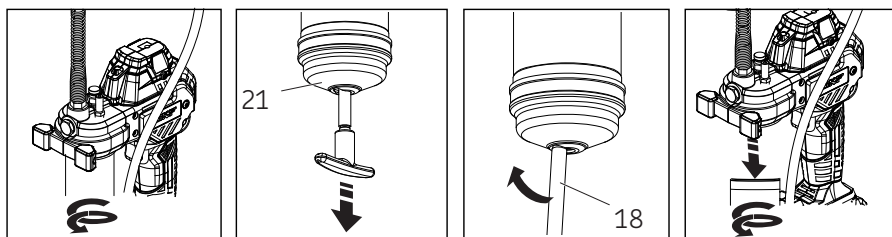
5 Avvitare il cilindro del grasso (11) alla pistola.

6 Sganciare l'asta del seguitore (18) dall'apertura nel tappo del cilindro del grasso (21).

6.1 Spingere l'asta del seguitore (18) nel cilindro del grasso (11).

Fig. 3

### Caricamento cartuccia e caricamento ad aspirazione



## Pompa caricatore

- 1 Estrarre l'asta del seguitore (18) e agganciarla ruotandola (→ Fig. 3, pagina 18).
- 2 Sistemare il raccordo del caricatore nell'accoppiatore dello stesso.
  - 2.1 Spingere in giù per tenere aperta la valvola dell'accoppiatore.
- 3 Fare andare la pompa e osservare il movimento dell'asta del seguitore (18).
- 4 Fermare la pompa una volta che sia visibile l'incastro dell'asta del seguitore (18).
- 5 Sganciare l'asta del seguitore (18) e spingerla nel cilindro del grasso (11).

### NOTA

Il raccordo del caricatore sulla pistola deve combaciare con l'accoppiatore del caricatore. La pompa potrà non funzionare se i componenti non sono compatibili.

## Adescamento pompa

In molti casi la pistola si adescherà semplicemente azionando più volte il grilletto. Se il grasso non appare, occorre spurgare l'aria.

## Adescamento agevolato

Questo procedimento manuale aiuta a eliminare l'aria dalla valvola di spurgo.

- 1 Estrarre l'asta del seguitore e agganciarla ruotandola (→ Fig. 3, pagina 18).
- 2 Aprire la valvola di sfiato svitandone il gambo di circa due giri.
- 3 Spingere l'asta del seguitore (18).
- 4 Serrare il gambo della valvola di sfiato una volta che l'aria sia stata eliminata.
- 5 Azionare la pistola più volte.
- 6 Quando il grasso appare, sganciare l'asta del seguitore (18) e spingerla nel cilindro del grasso (11).

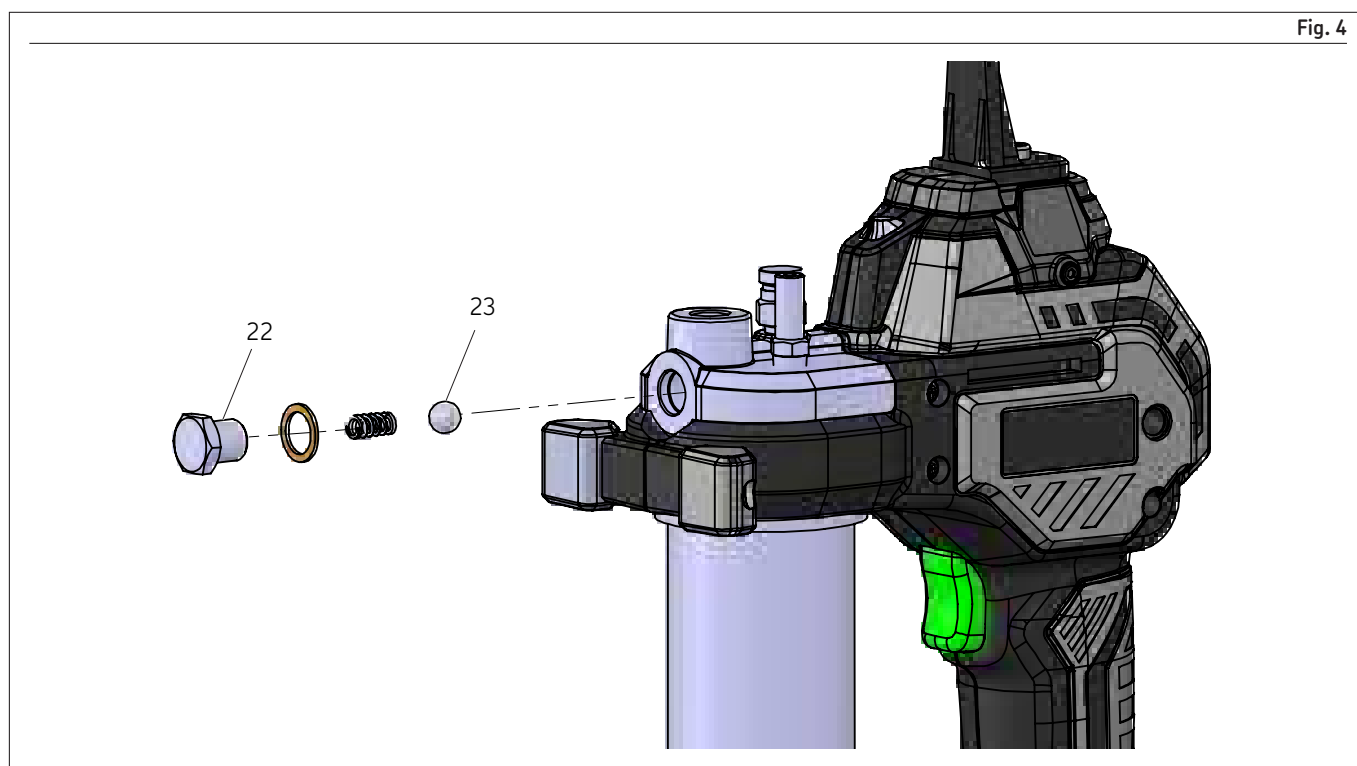
## Contaminazione della valvola di ritegno

Se la pistola non si adesca potrebbe esserci qualcosa che tiene aperto il ritegno di uscita. Togliere la spina (22), pulire la sfera (23) e la sede della testa (→ Fig. 4).

## Funzionamento

La batteria (9) è spedita intenzionalmente con poca carica. Caricare la batteria prima dell'uso.

- Per dettagli, vedere la sezione sul funzionamento del caricabatteria.



#### NOTA

La pistola per ingrassaggio è dotata di software che protegge il motore. Quando un bloccaggio dei cuscinetti, della linea o del raccordo del grasso causano uno stallo della pistola, il software toglie tensione al motore e la retroilluminazione del display LCD si accende in rosso fisso. Se ciò si verifica, rilasciare immediatamente il grilletto.

Per massimizzare la durata del motore, evitare di usare in caso di stallo.

Se non lo si fa si potrebbe danneggiare l'attrezzo.

#### NOTA

La pistola per grasso sviluppa sino a circa 483 bar (7 000 psi) prima che il software si blocchi e tolga l'alimentazione al motore. La pistola per grasso rimarrà bloccata per 3 secondi prima di poter alimentare il motore di nuovo.

La pistola per grasso si bloccherà nuovamente se si tiene premuto il grilletto per sviluppare da 586 a 724 bar (da 8 500 a 10 500 psi).

Prima di operare di nuovo rilasciare il grilletto per 3 secondi per il raffreddamento.

## Selezione della velocità

La pistola è dotata di trasmissione elettronica a due velocità con tasso di portata alto e basso. Per le prestazioni alle due velocità vedere i dati tecnici. La velocità alta si ha quando è visualizzato il numero **2** sull'interruttore a scorrimento (**19a**) (→ Fig. 5). Si può ottenere la pressione massima sia alla velocità alta **2** che alla velocità bassa **1**.

#### NOTA

La pistola per ingrassaggio passerà automaticamente dalla bassa velocità **1** all'alta velocità **2** a circa 241 bar (3 500 psi) per ottenere una pressione più elevata.

## Funzioni LCD

Il display a cristalli liquidi (LCD) (**6**) mostra il misuratore elettrico del grasso, l'indicatore di livello del grasso e l'indicatore di carica della batteria. Per **ON** il display LCD, toccare una volta il pulsante di reset (**19b**) (→ Fig. 5).

Per entrare in modalità di reset (**19b**), premere e tenere premuto il pulsante di reset. Dopo 2 secondi, le cifre dell'unità di misura di livello del cilindro del grasso (oz/g) cominciano a lampeggiare.

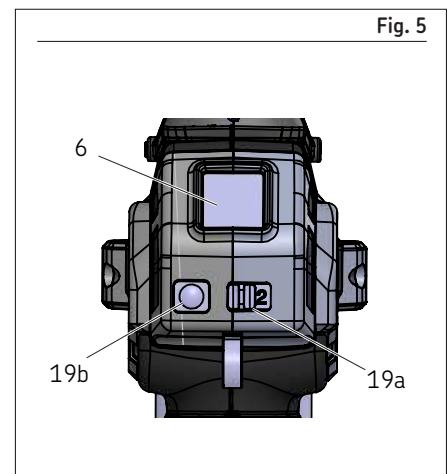
Quando si rilascia il pulsante di reset (**19b**) mentre le cifre del misuratore del grasso lampeggiano, il misuratore si resetta a zero. Rilasciando (**19b**) il pulsante mentre lampeggiano i segmenti del livello del cilindro del grasso, si ripristina l'indicatore su pieno. Rilasciando (**19b**) il pulsante mentre lampeggia l'unità di misura, si commuta l'unità di misura.

## Indicazione di stallo

In caso di stallo (raccordo o linea intasati) la pistola smette di pompare grasso e la retroilluminazione del display LCD (**6**) si accende in rosso. Se la condizione si verifica, rilasciare (**19b**) immediatamente il grilletto. Ispezionare, pulire e/o riparare il passaggio del grasso prima di tentare di erogare grasso nell'impianto.

## Indicazione di perdita di adescamento

La perdita di adescamento si verifica quando vi è aria nel grasso o quando il cilindro del grasso è vuoto. Se ciò si verifica, lo schermo del display LCD lampeggia in rosso per indicare che la pistola non pompa grasso. In condizione di perdita di adescamento, il misuratore del grasso con conta le corse di pistone a vuoto.





## Torcia elettrica

Per accendere (**ON**) la torcia elettrica toccare una volta il pulsante di reset. Se lo schermo del display LCD non è già acceso (**ON**), è necessario toccare il pulsante due volte per accendere (**ON**) la torcia elettrica.

Per spegnere (**OFF**) la torcia elettrica toccare una volta il pulsante di reset. La torcia elettrica si spegne (**OFF**) automaticamente dopo 20 secondi se il grilletto non è premuto per distribuire grasso. Se il grilletto è premuto per usare la pistola, la luce rimane accesa (**ON**) fino allo scadere di 20 secondi dopo il rilascio del grilletto.

### AVVERTENZA

Non eseguire interventi di manutenzione sull'ingrassatore con la batteria installata.

Non pulire il caricabatteria mentre è collegato a una presa di corrente.

La mancata osservanza può essere causa di lesioni gravi e/o morte.

### NOTA

Pulire regolarmente le fessure di ventilazione dell'attrezzo e del caricabatteria servendosi di una spazzola morbida o di un panno asciutto.

Pulire regolarmente la sede del motore servendosi di un panno umido. Non usare sostanze detergenti abrasive o a base di solvente.

## Manutenzione

L'attrezzo è stato progettato per essere usato a lungo con un minimo di manutenzione. L'uso soddisfacente dell'attrezzo per un lungo tempo dipende dalla sua cura e pulizia regolare.

Il caricabatteria non richiede nessun intervento di manutenzione, salvo la pulizia regolare.

## Individuazione e soluzione dei problemi

Condizione	Causa possibile	Azione correttiva
L'ingrassatore non distribuisce il grasso.	Non vi è grasso nel gruppo del tubo del grasso.	Controllare che ci sia grasso nel gruppo del tubo del grasso.
	Non vi è più adescamento.	Ripetere l'operazione di adescamento.
	Il ritegno a sfera (23) non funziona.	Rimuovere il ritegno a sfera (23), pulirlo e ispezionare la sua sede.
Il display lampeggia in rosso a causa di sovraccarico del motore.	Manichetta flessibile ostruita.	Pulire o sostituire la manichetta flessibile.
	Punto di lubrificazione bloccato.	Togliere l'ostruzione.
L'ingrassatore continua a perdere l'adescamento.	Manichetta flessibile ostruita.	Pulire o sostituire la manichetta flessibile.
	Sacche d'aria in più punti del contenitore dopo il riempimento.	Svuotare il gruppo del tubo del grasso, riempire e ripetere l'adescamento seguendo le istruzioni.
La batteria non si carica.	Il cedente lega nel gruppo del tubo del grasso.	Smontare il gruppo del tubo del grasso e pulire. Accertarsi che il cedente sia entrato nella cartuccia del grasso in modo corretto.
		Verificare che il cedente non si sia impigliato nel bordo della cartuccia del grasso.
		In caso di danneggiamento, sostituire il gruppo del tubo del grasso.
	Controllare la sede del ritegno e la sfera (23) non siano sporchi.	Pulire la sfera (23) di ritegno e la sua sede.
Motore non gira.	Non vi è tensione al caricabatteria	Controllare che ci sia corrente alla presa.
	La batteria può essere difettosa.	Sostituire la batteria.
	La batteria deve essere caricata.	Ricaricare la batteria.
	Il collegamento al motore è difettoso.	Togliere la batteria, smontare l'impugnatura e controllare i fili di collegamento ai terminali, alla levetta e al motore.

### Distinta pezzi/kit di servizio

Numero di parte    Descrizione





---

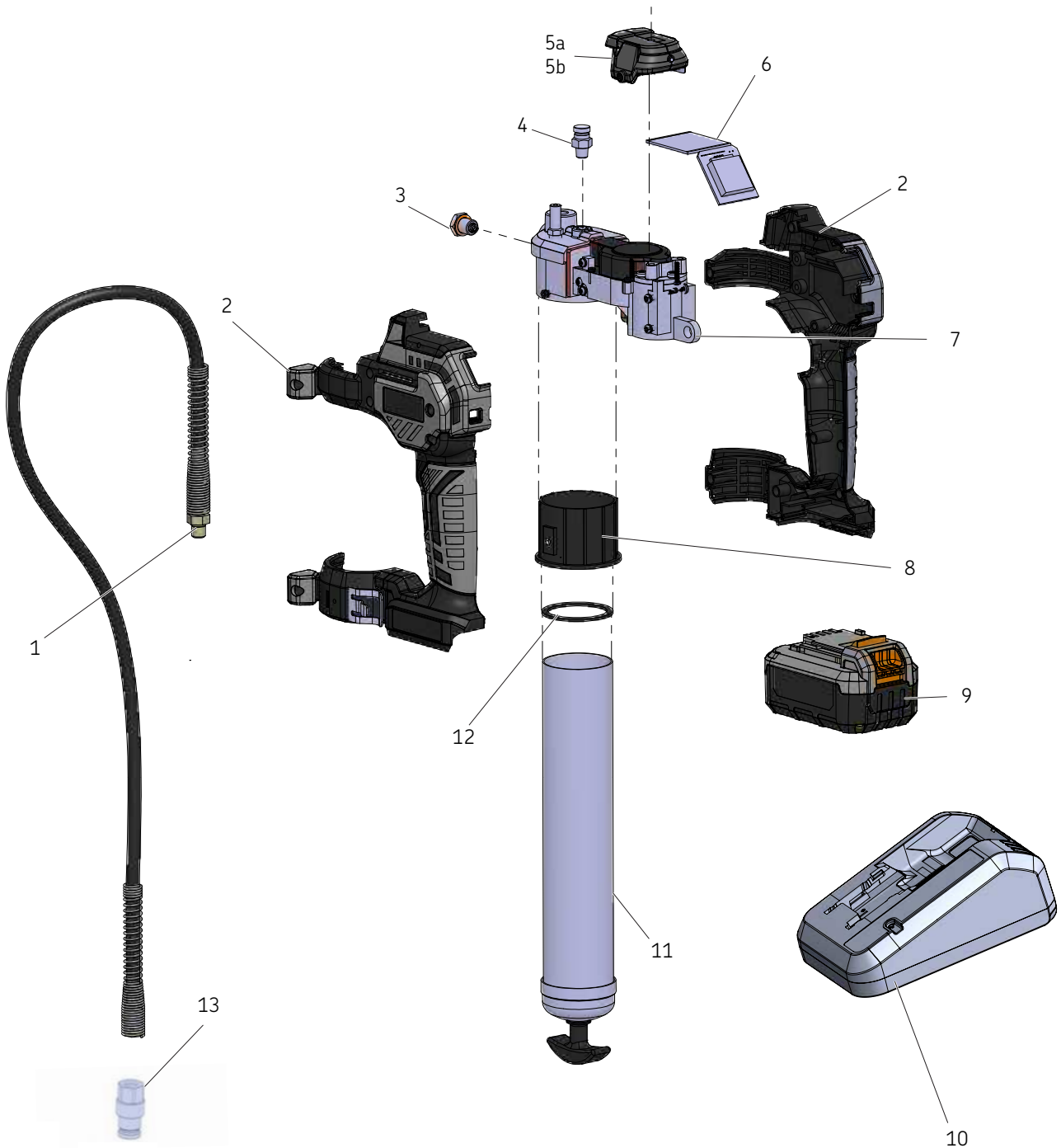
TLGB 21-1	Cinghia, spalla (TLGB)
TLGB 21-2	Batteria al litio SKF 20V 2,5 Ah
TLGB 21-3	Manichetta di 1.219 mm con accoppiatore
TLGB 21-4	Kit tubo grasso (TLGB)
TLGB 21-5	Caricabatteria SKF 2A 230 V  /20 V 
TLGB 21-6	Caricabatteria SKF 2A 120 V  /20 V 
TLGB 21-9	Batteria al litio SKF 20V 4,0 Ah

### Pezzi di ricambio

Articolo    Descrizione

---

1	Gruppo manichetta, grasso
2	Sede (maniglia)
3	Valvola di ritegno
4	Valvola di sfianto
5a	Coperchio antipolvere (TLGB 21)
5b	Modulo Bluetooth (TLGB 40-10)
6	Display/PCB
7	Pompa
8	Distanziatore tubo del grasso con vite
9	Batteria, 20 V  2.5 Ah Batteria, 20 V  4.0 Ah
10	Caricabatteria (120 V  / 60 Hz) Caricabatteria (230 V  / 50 Hz)
11	Gruppo cilindro, grasso
12	Guarnizione
13	Accoppiatore, grasso
14	Porta telefono
15	Vite



## Istruzioni dettagliate

Per delle istruzioni per l'uso dettagliate, segui questo link à

→ [gr.skf.com/Im/Lub-tools/TLGB-21/](https://gr.skf.com/Im/Lub-tools/TLGB-21/)

o contatta la sede locale SKF o il tuo concessionario di riferimento.



## Garanzia

Queste istruzioni non contengono alcuna informazione in ordine alla garanzia. È possibile prendere visione di tali informazioni nelle Condizioni generali di vendita sul sito [www.skf.com](https://www.skf.com).



[skf.com](https://www.skf.com)

© SKF è un marchio registrato del Gruppo SKF.

© Gruppo SKF 2024

La riproduzione, anche parziale, del contenuto di questa pubblicazione è consentita soltanto previa autorizzazione scritta della SKF. Nella stesura è stata dedicata la massima attenzione al fine di assicurare l'accuratezza dei dati, tuttavia non si possono accettare responsabilità per eventuali errori od omissioni, nonché per danni o perdite diretti o indiretti derivanti dall'uso delle informazioni qui contenute.

Ottobre 2024 · Form MP549IT Version 2

# Pistola de graxa acionada por bateria

Modelos TLGB 21/230V, TLGB 21/110V



Data de publicação	outubro 2024
Número de formulário	5499
Versão	2

# Sumário

<b>Declaração de conformidade</b> .....	<b>3</b>
<b>Explicações dos avisos de advertência de segurança</b> .....	<b>6</b>
<b>Instruções de segurança</b> .....	<b>7</b>
Alertas comuns de ferramentas elétricas .....	7
Segurança de terceiros .....	8
Segurança específica .....	8
Riscos residuais .....	9
Vibração .....	9
Etiquetas ativadas carregador de bateria .....	9
Proteção do meio ambiente .....	10
Instruções de segurança da bateria e do carregador .....	11
Baterias .....	11
Carregador .....	11
Segurança elétrica .....	12
Bateria e do carregador .....	13
Instruções de segurança da bateria e do carregador .....	13
<b>Descrição</b> .....	<b>14</b>
Especificações .....	14
Modelo de vendas .....	16
Função de luzes vermelhas e verdes no carregador .....	17
Operação do carregador .....	17
Deixe a bateria no carregador .....	17
Display LED .....	17
<b>Uso e cuidados com a ferramenta</b> ...	<b>18</b>
Carregar a pistola de graxa .....	18
Cartucho de carga .....	18
Sucção de carga .....	18
Bomba carregadora .....	19
Escorvar a pistola .....	19
Forçar a escorva .....	19
Operação .....	20
Seleção de velocidade .....	20
Funções LCD .....	20
Lanterna .....	21
Manutenção .....	21
<b>Solução de problemas</b> .....	<b>22</b>
<b>Lista de peça/kits de manutenção</b> ...	<b>23</b>
<b>Peças de reposição</b> .....	<b>24</b>
<b>Instruções detalhadas</b> .....	<b>28</b>
<b>Garantia</b> .....	<b>28</b>



## Declaração de Conformidade

DOCUMENTO NÚMERO  
MP5499.Doc

### Nome/endereço do fabricante:

**SKF MPT**

Meidoornkade 14, 3992  
AE Houten, Países Baixos

TEL: +1 (31) 610136775

EMAIL: [andrea.gondova@skf.com](mailto:andrea.gondova@skf.com) WEBSITE: [www.skf.com](http://www.skf.com)



Esta Declaração de Conformidade é emitida sob responsabilidade exclusiva do fabricante. A SKF MPT declara aqui que o maquinário abaixo indicado:

Nome: Pistola de graxa  
Número(s) do(s) modelo(s): TLGB 21  
Descrição: Pistola de graxa acionada por bateria  
Número(s) do(s) modelo(s): TLGB 40-10  
Descrição: Módulo Bluetooth  
Ano da CE: 2022

para o uso a que se destina, está em conformidade com a legislação de harmonização da união:

Diretiva de Maquinário  
2006/42/UE

Compatibilidade Eletromagnética  
2014/30/UE (EMC)

Substâncias Perigosas  
2011/65/UE (RoHS2)

e em conformidade com os seguintes padrões harmonizados:

EN 55014-1:2017+A11:2020  
Compatibilidade eletromagnética — Requisitos para eletrodomésticos, ferramentas elétricas e dispositivos similares — Parte 1: Emissão

EN 55014-2:2015  
Compatibilidade eletromagnética – Requisitos para eletrodomésticos, ferramentas elétricas e dispositivos similares – Parte 2: Imunidade - Norma da família de produtos

EN 62841-1:2015  
Ferramentas elétricas manuais operadas por motor, ferramentas transportáveis e máquinas de gramado e jardim – Segurança – Parte 1: Exigências gerais

EN IEC 63000:2018  
Documentação técnica para a avaliação de produtos elétricos e eletrônicos no que diz respeito à restrição de substâncias perigosas

EN 301 489-17 :2020  
Padrão de Compatibilidade Eletromagnética (EMC) para equipamentos e serviços de rádio; Capítulo 17: Condições específicas para sistemas de transmissão de dados de banda larga; Padrão harmonizado para Compatibilidade Eletromagnética

EN 301 489-1 :2019  
Norma de compatibilidade eletromagnética (EMC) para equipamentos e serviços de rádio; Parte 1: Requisitos técnicos comuns; Padrão harmonizado de Compatibilidade Eletromagnética

EN 62479: 2010  
Avaliação da conformidade de equipamentos eletrônicos e elétricos de baixa potência com as restrições básicas relacionadas à exposição de seres humanos a campos eletromagnéticos

O fabricante mantém uma ficha técnica resumida do arquivo contendo relatórios de testes e documentação do produto:

Ficha técnica resumida:  
RAMP5499XX

RoHS2 - Ficha técnica resumida do arquivo:  
RoHSMP5499XX

Eu, abaixo assinado, designado pela SKF declaro que o equipamento especificado acima, em sua utilização prevista, está em conformidade com as exigências das diretivas e normas harmonizadas acima no momento da colocação do produto acima no mercado.

Andrea Gondova  
Gerente de Conformidade de Produto  
AE Houten, Países Baixos  
2022/06/17



# Explicações dos avisos de advertência de segurança

## OBSERVAÇÃO

Enfatiza dicas e recomendações úteis, bem como informações para evitar danos à propriedade e garantir uma operação eficiente e sem problemas.

## ⚠ ATENÇÃO

Indica uma situação perigosa que pode levar a danos corporais leves se as medidas de precaução forem ignoradas.

## ⚠ ATENÇÃO

Indica uma situação perigosa que pode levar à morte ou a ferimentos graves se as medidas de precaução forem ignoradas.

## ⚠ PERIGO

Indica uma situação perigosa que levará à morte ou a ferimentos graves se as medidas de precaução forem ignoradas.

## ⚠ ATENÇÃO

Não operar o equipamento sem ler e compreender plenamente os avisos e instruções de segurança.



O não cumprimento de avisos e instruções pode resultar em ferimentos graves.

## ⚠ ATENÇÃO

Não operar equipamentos sem usar equipamento de proteção pessoal.

Usar proteção para os olhos.

Equipamentos de proteção como máscara de pó, sapatos de segurança antiderrapantes, capacete ou proteção auditiva usados para condições apropriadas reduzirão os ferimentos corporais.

O não cumprimento pode resultar em ferimentos corporais leves.



## ⚠ ATENÇÃO



Não permitir que nenhuma parte do corpo seja presa pelo equipamento.

As partes do corpo podem ser esmagadas por componentes da máquina durante a operação.

Não seguir essas instruções pode causar ferimentos graves ou morte.

## ⚠ ATENÇÃO



Não permitir que o fluido vaze para o chão ao operar o equipamento. Se ocorrer vazamento, limpar o fluido no piso antes de continuar a operação.

Não seguir essas instruções pode causar ferimentos graves ou morte.

## ⚠ ATENÇÃO

Não utilizar este equipamento para fornecer, transportar ou armazenar produtos químicos e misturas perigosas de acordo com o Anexo I parte 2-5 do Regulamento da CLP EG 1272/2008 ou HCS 29 CFR 1910.1200 marcado com pictogramas de perigo GHS01, GHS06 e GHS08 mostrados:



# Instruções de segurança

## Alertas comuns de ferramentas elétricas

### ⚠ ATENÇÃO

Leia todas as instruções e precauções de segurança. Não seguir as instruções e precauções pode resultar em choque elétrico, incêndio e/ou ferimentos graves.



Guarde todas as instruções e precauções para consultas futuras. O termo "ferramenta elétrica" nas precauções refere-se a ferramenta elétrica (com fio) ligada à rede elétrica ou a ferramenta elétrica (sem fio) operada com bateria.

### 1 Segurança no local do trabalho

- 1.1 **Mantenha a área de trabalho limpa e bem iluminada.** Áreas desorganizadas ou escuras são um convite para acidentes.
- 1.2 **Não ligue ferramentas elétricas em atmosferas explosivas, como as existentes na presença de líquidos, gases ou poeiras inflamáveis.** As ferramentas elétricas podem gerar faíscas que podem inflamar poeiras ou fumaças.
- 1.3 **Mantenha crianças e pessoas presentes no local afastados enquanto opera uma ferramenta elétrica.** Distrações podem causar a perda de controle.

### 2 Segurança elétrica

- 2.1 **Os plugues das ferramentas elétricas devem corresponder às tomadas. Nunca modifique o plugue de nenhuma maneira. Não use adaptadores de plugues em ferramentas elétricas com fio terra.** Plugues sem modificações e tomadas correspondentes reduzem os riscos de choque elétrico.
- 2.2 **Evite contato físico com superfícies aterradas como tubos, radiadores, fogões e refrigeradores.** Existe um risco maior de choque elétrico quando o corpo está ligado ao terra.
- 2.3 **Não exponha ferramentas elétricas à chuva ou condições de umidade.** A entrada de água dentro de uma ferramenta elétrica aumenta o risco de choque elétrico.
- 2.4 **Não maltrate o fio elétrico. Nunca use o fio elétrico para carregar, puxar ou desligar a ferramenta elétrica. Mantenha o fio elétrico afastado do calor, óleo, bordas afiadas ou peças móveis.** Fios danificados ou embaraçados aumentam o risco de choque elétrico.
- 2.5 **Ao operar uma ferramenta elétrica ao ar livre, use uma extensão elétrica adequada para o uso externo.** O uso de uma extensão elétrica adequada para uso externo reduz o risco de choque elétrico.
- 2.6 **Se não for possível evitar operar uma ferramenta elétrica em local úmido, use uma fonte de alimentação protegida por RCD (disjuntor de fuga para terra).** O uso de RCD reduz o risco de choque elétrico.

### 3 Segurança pessoal

- 3.1 **Mantenha-se alerta, preste atenção no que estiver fazendo e use o bom senso ao operar uma ferramenta elétrica. Não use uma ferramenta elétrica se estiver cansado ou sob influência de álcool, drogas ou medicamentos.** Um momento de desatenção ao operar uma ferramenta elétrica pode causar ferimentos graves.
- 3.2 **Use equipamento de proteção individual. Sempre use proteção ocular.** Equipamento de proteção como máscara de poeira, sapatos antidesslizantes, capacete ou proteção auditiva usados nas condições apropriadas reduzem os riscos de ferimentos físicos.
- 3.3 **Previna o funcionamento não intencional. Verifique se a chave está na posição desligada antes de conectar a ferramenta à eletricidade e/ou bateria, ao agarrá-la ou ao transportá-la.** Transportar ferramentas elétricas com o dedo na chave de força ou ligar ferramentas elétricas na eletricidade com a chave de força ligada é causa de acidentes.
- 3.4 **Remova chaves de ajuste de qualquer tipo antes de ligar a ferramenta elétrica.** Uma chave de ajuste presa em uma peça giratória da ferramenta elétrica pode causar ferimentos físicos.
- 3.5 **Não se estique. Mantenha sempre o equilíbrio e os pés bem apoiados no chão.** Isso permite um melhor controle da ferramenta elétrica em situações imprevistas.
- 3.6 **Vista-se apropriadamente. Não vista roupas folgadas ou joias. Mantenha os cabelos, roupas e luvas fora afastados de peças móveis.** Roupas folgadas, joias e cabelos compridos podem ser agarrados pelas peças móveis.
- 3.7 **Se forem fornecidos dispositivos para a conexão de instalações de extração e coleta de poeira, verifique se estão conectados e usados corretamente.** O uso da coleção de poeira pode reduzir os riscos relacionados à poeira.

## 4 Uso e cuidados com ferramentas elétricas

- 4.1 Não force a ferramenta elétrica. Use a ferramenta elétrica correta para o seu trabalho.** A ferramenta elétrica correta terá um desempenho melhor e mais seguro nas condições para as quais foi projetada.
- 4.2 Não use a ferramenta elétrica se a chave liga/desliga não estiver funcionando.** Qualquer ferramenta elétrica que não possa ser controlada com a chave é perigosa e deve ser consertada.
- 4.3 Desligue o plugue da tomada elétrica e/ou a bateria da ferramenta elétrica antes de fazer qualquer regulagem, trocar acessórios ou guardar a ferramenta elétrica.** Essas medidas preventivas reduzem o risco de ligar a ferramenta elétrica acidentalmente.
- 4.4 Guarde as ferramentas elétricas desligadas fora do alcance de crianças e não permita que pessoas que não conheçam a ferramenta elétrica ou estas instruções operem a ferramenta elétrica.** Uma ferramenta elétrica é perigosa nas mãos de pessoas não treinadas em seu uso.
- 4.5 Faça a manutenção das ferramentas elétricas.** Verifique a existência de desalinhamento ou emperramento das peças móveis, partes quebradas ou outras condições que possam afetar a operação da ferramenta elétrica. Se houver peças danificadas, a ferramenta elétrica deverá ser consertada antes do uso. Muitos acidentes são causados por manutenção deficiente das ferramentas elétricas.
- 4.6 Mantenha as ferramentas de corte limpas e afiadas.** Ferramentas de corte bem mantidas com fios afiados têm menos probabilidade de emperrar e são mais fáceis de controlar.
- 4.7 Use a ferramenta elétrica, acessórios, brocas, etc., de acordo com estas instruções e da maneira concebida para o tipo de ferramenta elétrica em questão, levando em consideração as condições de trabalho e a tarefa a ser realizada.** O uso da ferramenta elétrica em operações que não aquelas para as quais foi concebida pode causar uma situação de risco.

## 5 Uso e cuidados com a Bateria da ferramenta

- 5.1 Recarregue apenas com o carregador de bateria especificado pelo fabricante.** Um carregador adequado para um tipo de bateria pode criar o risco de incêndio quando usado em outro tipo de bateria.
- 5.2 Use ferramentas elétricas apenas com as baterias específicas correspondentes.** Usar outras baterias pode criar o risco de incêndio e ferimentos.
- 5.3 Quando a bateria não estiver sendo usada, mantenha-a afastada de outros objetos metálicos como cliques de papel, moedas, pregos, parafusos e pequenos objetos metálicos que possam fazer a ligação entre os terminais.** A ligação dos terminais da bateria provoca curto com risco de queimaduras ou incêndio.
- 5.4 Em condições abusivas, pode haver ejeção de líquido da bateria; evite o contato com o líquido. O líquido ejetado da bateria pode causar irritação ou queimaduras.** Se ocorrer contato acidental, enxágue com água. Se houver contato do líquido com os olhos, procure assistência médica. O líquido ejetado da bateria pode causar irritação ou queimaduras.

## 6 Serviço

- 6.1 A ferramenta elétrica deve ser conservada e mantida por pessoa qualificada usando apenas peças de reposição idênticas.** Isso garantirá que a segurança da ferramenta elétrica seja mantida.

# Segurança de terceiros

Este equipamento não deve ser usado por pessoas (incluindo crianças) com capacidade física, sensorial ou mental reduzidas, ou pessoas sem experiência ou conhecimento, a menos que tenham supervisão ou sejam ensinadas sobre o uso por uma pessoa responsável pela sua segurança.

Crianças devem ser supervisionadas para garantir que elas não brinquem com o equipamento.

# Segurança específica

Ferimentos causados por injeção de graxa são muito graves. Segure a mangueira apenas na área da proteção com mola. Evite ligar acidentalmente. Assegure-se de que a chave não esteja pressionada ao inserir a bateria.

Substitua a mangueira ao primeiro sinal de desgaste, dobra ou dano na luva externa. Não dobre a mangueira a ponto que ela fique torcida.

Não se estique. Mantenha sempre o equilíbrio e os pés bem apoiados no chão. Um bom apoio dos pés e equilíbrio permitem um melhor controle da ferramenta em situações imprevistas.

Use equipamento de segurança. Sempre use proteção ocular.

Máscara de poeira, sapatos antidescalçantes, capacete e proteção auditiva devem ser usados quando as condições assim o exigirem.

A pistola usa lubrificantes que podem ser inflamáveis ou venenosos se ingeridos. Não use a pistola perto de chamas abertas ou outros riscos de incêndio. Não use graxas inflamáveis com esta pistola de graxa.

Graxas geralmente são comercializadas como sendo de alta temperatura porque elas devem manter suas propriedades lubrificantes em áreas quentes, mas os lubrificantes podem ser inflamáveis se a temperatura for alta demais. Leia todas as precauções de lubrificantes antes de usar esta pistola. Não use graxas inflamáveis com esta pistola de graxa.

#### ⚠ CUIDADO

Não use nenhuma mangueira que não tenha sido aprovada pela SKF. A pressão extrema pode causar o estouro de extensão do bico ou mangueira.

Substitua a mangueira ao primeiro sinal de desgaste, dobras ou danos na luva externa.

Siga as instruções e precauções da mangueira. Não segui-las pode causar ferimentos graves ou morte.

#### ⚠ CUIDADO

Use óculos e luvas de proteção durante a operação. Mantenha as mãos afastadas da porção de borracha exposta da mangueira.

Não seguir as instruções pode causar ferimento grave e/ou morte.

## Riscos residuais

Pode haver riscos residuais adicionais emergentes do uso da ferramenta que não estão incluídos nas precauções de segurança tratadas aqui. Os riscos podem advir do mau uso, uso prolongado, etc.

Mesmo quando os regulamentos de segurança relevantes e a implementação de dispositivos de segurança são seguidos, certos riscos residuais não podem ser evitados. Eles são:

- Ferimentos causados por tocar em qualquer peça móvel/giratória.
- Ferimentos causados na troca de peças ou acessórios.
- Ferimentos causados pelo uso prolongado de uma ferramenta. Ao usar qualquer ferramenta por períodos prolongados, lembre-se de fazer intervalos regulares.
- Deficiência na audição.
- Riscos de saúde causados pela ingestão de poeira criada ao usar uma ferramenta (exemplo: ao trabalhar com madeira, especialmente carvalho, faia ou aglomerados).

#### ⚠ CUIDADO

O valor de emissão de vibração durante o uso real da ferramenta elétrica pode ser diferente do valor declarado, dependendo da maneira como a ferramenta é usada. O nível de vibração pode subir acima do nível declarado.

## Vibração

Os valores de emissão de vibrações que constam na ficha técnica e na declaração de conformidade foram medidos de acordo com o método de teste padrão da EN 62841 e podem ser usados para comparação com outras ferramentas.

O valor de emissão de vibrações declarado também pode ser usado para uma avaliação preliminar de exposição.

Ao avaliar a exposição à vibração para determinar as medidas de segurança exigidas pela diretiva 2002/44/CE para proteger pessoas que usam ferramentas elétricas regularmente no trabalho, a estimativa de exposição à vibração deve levar em consideração as condições reais de uso e a maneira como a ferramenta é usada, incluindo todas as etapas do ciclo de operação, como os períodos em que a ferramenta é desligada e o período ligado mas em repouso, além do tempo em que ela está ligada com o gatilho pressionado. Os valores de emissão de vibrações que constam na ficha técnica e na declaração de conformidade foram medidos de acordo com o método de teste padrão da EN 60745 e podem ser usados para comparação com outras ferramentas.

O valor de emissão de vibrações declarado também pode ser usado para uma avaliação preliminar de exposição.

Ao avaliar a exposição à vibração para determinar as medidas de segurança exigidas pela diretiva 2002/44/CE para proteger pessoas que usam ferramentas elétricas regularmente no trabalho, a estimativa de exposição à vibração deve levar em consideração as condições reais de uso e a maneira como a ferramenta é usada, incluindo todas as etapas do ciclo de operação, como os períodos em que a ferramenta é desligada e o período ligado mas em repouso, além do tempo em que ela está ligada com o gatilho pressionado.

## Etiquetas ativadas carregador de bateria

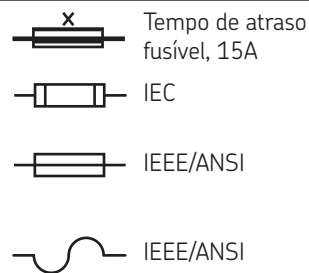
Os seguintes símbolos são mostrados na ferramenta:

#### ⚠ CUIDADO

Não opere a pistola de graxa sem ler o manual de instruções.



Não seguir as instruções pode causar ferimentos graves e/ou morte.



# Proteção do meio ambiente

Se algum dia o produto SKF precisar ser substituído ou se ele já não for mais útil para você, não o descarte junto com o lixo residencial. O produto deve ser descartado seletivamente (coleta seletiva).

Regulamentos municipais podem exigir a coleta seletiva de produtos elétricos, separados do lixo residencial, em locais de descarte municipais ou a entrega do produto ao varejista quando for comprar um novo produto.

## ATENÇÃO

Coleta seletiva. Este produto não deve ser descartado junto com lixo residencial comum.



## ATENÇÃO

A coleta seletiva de produtos e embalagens usadas permite que os materiais sejam reciclados e usados novamente.



O uso de materiais reciclados ajuda a evitar a poluição do meio ambiente e reduz a procura por matérias-primas.

## ATENÇÃO

Descarrregue a bateria completamente antes de retirá-la da ferramenta.



Baterias de NiCd (níquel-cádmio), NiMH (níquel-hidreto metálico) e Li-Ion (ion de lítio) são recicláveis. Leve-as para uma agente de reparos autorizado ou para local de reciclagem.

# Instruções de segurança da bateria e do carregador

Este manual contém instruções importantes de segurança e de operação dos carregadores de bateria.

## ⚠ PERIGO

Não tocar com objetos condutores.

Existe risco de choque elétrico de 120 a 230 Vca presente nos terminais do carregador.

Não seguir as instruções pode causar ferimentos graves ou morte.

## Baterias

- Não tente abrir a bateria por nenhum motivo.
- Não exponha a bateria à água.
- Não guarde a bateria em lugares onde a temperatura possa ultrapassar os 40 °C como em galpões ou construções metálicas externas no verão.
- Carregue apenas em temperatura ambiente entre 10 °C e 40 °C.
- Carregue apenas usando o carregador que acompanha a ferramenta.
- Ao descartar as baterias, siga as instruções dadas na seção *Proteção do meio ambiente*.

## ATENÇÃO

Não carregue uma bateria danificada.



## ATENÇÃO

Não exponha a bateria ao fogo.



## ⚠ PERIGO

Não exponha a bateria a faíscas ou chamas. O líquido da bateria poderá queimar.

Não borrifre ou imerja a bateria em água ou outros líquidos. Isso poderia causar defeitos prematuros das células.

Não seguir as instruções pode causar ferimentos graves ou morte.

## ⚠ PERIGO

Não tente abrir a bateria por nenhum motivo. Se o plástico da carcaça rachar ou quebrar, leve a bateria para a assistência técnica para reciclagem.

Não seguir as instruções pode causar ferimentos graves ou morte.

## ⚠ CUIDADO

Não carregue com nenhum outro carregador.

Para reduzir o risco de ferimentos, os carregadores devem ser usados para carregar apenas as baterias. Outros tipos de bateria podem estourar.

Não seguir as instruções pode causar ferimentos graves ou morte.

## Carregador

- Antes de usar o carregador da bateria, leia todas as instruções e avisos de precaução do carregador da bateria, da bateria e do produto que usará a bateria.
- Não exponha o carregador a chuva, neve ou congelamento.
- Não maltrate o fio elétrico. Nunca carregue o carregador pelo fio elétrico nem puxe o fio elétrico para desligá-lo da tomada. Puxe o plugue, e não o fio, para desligar o carregador. Se o fio elétrico ou o alívio de pressão estiver danificado ou desgastado, substitua-os imediatamente. Não tente consertar o fio elétrico.
- Coloque o fio elétrico de maneira que não se pise ou se tropece nele, e que ele não esteja sujeito a danos ou tensão.
- Não use extensão elétrica a menos que absolutamente necessário. O uso de uma extensão elétrica imprópria pode causar risco de incêndio e choque elétrico.
- Não coloque o carregador em funcionamento se ele tiver recebido um golpe contundente, tiver caído ou estiver danificado de qualquer maneira; leve-o para uma assistência técnica qualificada.
- Não desmonte o carregador ou a bateria. Leve-os para uma assistência técnica qualificada para manutenção ou reparo se necessário. A montagem incorreta pode causar risco de incêndio ou choque elétrico.
- Desligue o carregador da tomada antes de limpá-lo para reduzir o risco de choque elétrico.
- Carregue a bateria em lugar bem ventilado; não cubra o carregador e a bateria com nada enquanto esta estiver sendo carregada.
- Não guarde o carregador ou a bateria em lugares onde a temperatura possa alcançar ou ultrapassar os 50 °C, como em um galpão metálico ou em um carro no verão; isso poderá deteriorar a capacidade de armazenagem da bateria.

- Não carregue a bateria quando a temperatura estiver abaixo de 5 °C ou acima de 40 °C. Isso é muito importante para o funcionamento correto.
- Não incinere a bateria. Ela pode explodir no fogo.
- Não carregue a bateria em locais úmidos ou molhados.
- Não deixe que os terminais da bateria entrem em curto circuito. Temperaturas extremamente altas podem causar ferimentos físicos ou incêndio.
- Este aparelho não foi projetado para ser usado por pessoas (inclusive crianças) com capacidade física, sensorial ou mental reduzida.
- A bateria deve ser reciclada ou descartada corretamente. Deixe as baterias usadas no varejista onde adquirirá a bateria de reposição ou em um centro de reciclagem.

### ATENÇÃO

Leia as instruções deste manual antes de usar.



### ATENÇÃO

O carregador tem isolamento duplo; assim, não precisa de fio terra. Sempre verifique se a rede elétrica tem a tensão definida na placa de especificações.



Nunca tente substituir o plugue do carregador por um plugue normal.

### ATENÇÃO

O carregador foi projetado apenas para uso interno.

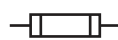


## Marcadores ativados carregador de bateria

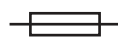
Os seguintes símbolos são mostrados na ferramenta:



Tempo de atraso fusível, 15A



IEC



IEEE/ANSI



IEEE/ANSI

## Segurança elétrica

- Se o fio elétrico estiver danificado, ele deverá ser substituído pelo fabricante ou por uma assistência técnica qualificada da SKF para evitar riscos.

# Bateria e do carregador

## Instruções de segurança da bateria e do carregador

Este manual contém instruções importantes de segurança e de operação dos bateria y TLGB 21-2, TLGB 21-9 carregadores de bateria TLGB 21-5, TLGB 21-6.

### ⚠ ATENÇÃO

Antes de usar o carregador da bateria, leia todas as instruções e avisos de precaução do carregador da bateria (10), da bateria (9) e dos produtos que usarão a bateria.

A extensão elétrica não deverá ser usada a menos que seja absolutamente necessário. O uso de uma extensão elétrica imprópria pode causar risco de incêndio e choque elétrico. Se

for preciso usar uma extensão elétrica, certifique-se de que seja de bitola AWG 18. Certifique-se de que os pinos da extensão elétrica sejam do mesmo número, tamanho e forma que os da tomada do carregador.

Certifique-se de que a extensão elétrica esteja cablada corretamente e em boas condições elétricas.

Não incinerar a bateria, mesmo que ela esteja muito danificada ou completamente desgastada. A bateria pode explodir no fogo.

Se o cabo de alimentação estiver danificado, ele deverá ser substituído pelo fabricante, agente de serviço ou pessoas qualificadas de forma similar, a fim de evitar riscos.

Não seguir essas instruções pode causar ferimentos graves ou morte.

### ⚠ CUIDADO

- Não exponha o carregador a chuva, neve ou geada.
- Coloque o fio elétrico de maneira que não se pise nem se tropece nele, e que ele não esteja sujeito a danos ou tensão.
- Não opere o carregador se o cabo ou plugue elétrico estiver danificado. Substitua-o imediatamente.
- Não opere o carregador se ele tiver recebido um golpe brusco, se tiver sofrido uma queda ou se tiver sido danificado de qualquer forma.
- Não desmonte o carregador.
- O carregador foi projetado para operar com energia elétrica residencial normal. Não tente usá-lo em nenhuma outra tensão.
- Carregamentos consecutivos podem causar superaquecimento. Se for preciso recarregar a bateria consecutivamente, aguarde cerca de 15 minutos para que o carregador se esfrie.
- Não insira material estranho no encaixe da bateria na base do carregador.
- Não desmonte a bateria.
- Não guarde a pistola e a bateria em locais onde a temperatura possa atingir ou ultrapassar 40 °C (104 °F).
- Não provoque curto-circuito na bateria.
- Não coloque o carregador em uma área de calor ou frio extremo. Ela funciona melhor à temperatura ambiente normal.



# Descrição

As pistolas modelos TLGB 21/230V, TLGB 21/110V foram projetadas para dispensar graxas derivadas de petróleo (NLGI 1/ NLGI 2) para aplicações gerais de lubrificação. Toda pistola de graxa é equipada com um motor elétrico que possui três estágios de redução de engrenagem, bem como um mecanismo de biela-manivela que aciona a bomba de deslocamento de pistão. O motor é alimentado por uma bateria recarregável de 20 volts de lítio-íon. Uma mangueira de chicote de alta pressão de 1,22 m (48 pol.), um acoplador de graxa para serviço pesado, um carregador e uma maleta rígida estão incluídos com a pistola de graxa. Ela tem também uma lanterna LED embutida, uma transmissão eletrônica de duas velocidades e um mostrador de cristal líquido (LCD) retroiluminado. O LCD apresenta um medidor de nível da bateria, um medidor de nível da graxa e um medidor de graxa, bem como avisos de perda de escorva e indicador de parada.

A pistola de graxa tem capacidade de comunicação sem fio com telefones celulares utilizando o aplicativo da SKF através do módulo Bluetooth (BT) (TLGB 40-10, vendido separadamente). O módulo BT (TLGB 40-10) deve ser instalado em cima da pistola, e não na tampa removível contra poeira.


O plugue é coberto (5) por uma tampa de proteção contra poeira durante o uso normal.

Cada um dos modelos de pistola é projetado para carga por 3 vias; cartucho, sucção e bomba carregadora.

As pistolas de graxa são de mola e incluem válvula de purga de ar para auxiliar na escorva.

Tabela 1

## Especificações

Capacidade do reservatório de graxa	
Peso	454 g (16 oz)
Tamanho do cartucho	397 g (14 oz)
Conjunto de mangueira	
Pressão nominal	689 bar (10 000 psi)
Comprimento da mangueira	122 cm (48 in)
Corrente de operação	14,5 to 20 V 
Peso	2,9 kg (6.3 lbs)
Pressão máxima de pico	689 bar (10 000 psi)
Pressão operacional máxima	413 bar (6 000 psi)
Quociente de vazão <sup>1)</sup>	
Alta	170 g/min (6 oz/min)
Baixa	113 g/min (4 oz/min)
Precisão do medidor <sup>1) 2)</sup>	
Alta velocidade	±3%
Baixa velocidade	±4%
Alcance do medidor	0 a 999 g (0.0 a 999 oz)

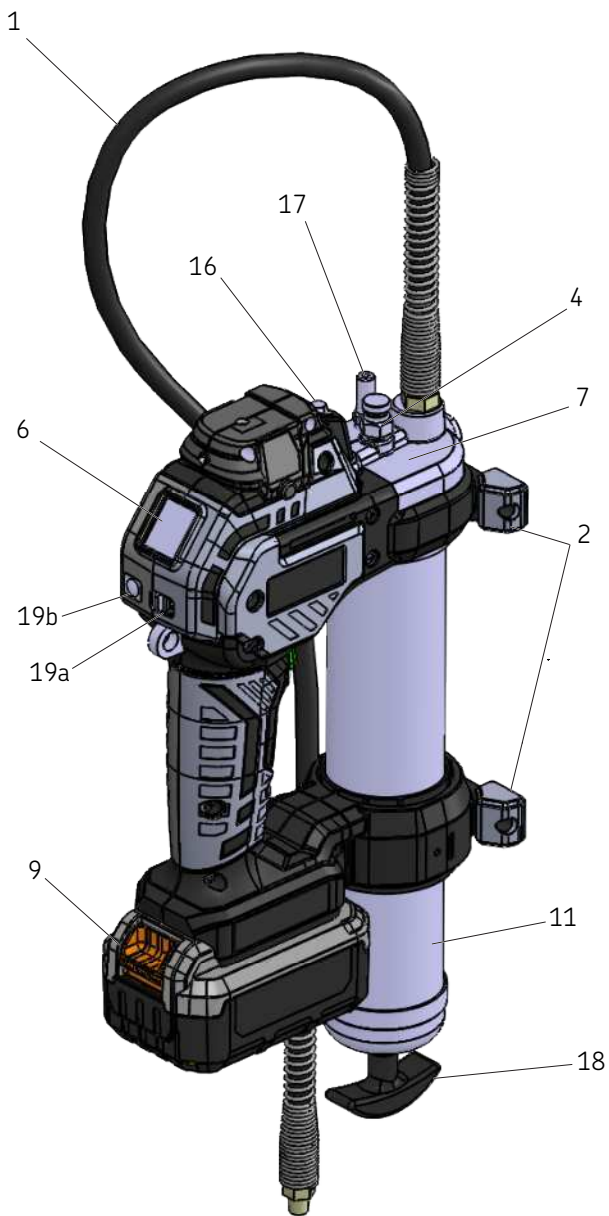
Pressão sonora (LpA) 71,5 dB(A), incerteza (K) 3 dB(A). Potência acústica (LwA) 82,5 dB(A), incerteza (K) 3 dB(A). Valor de emissão de vibração (ah) 0,6 m/s<sup>2</sup>, incerteza (K) 1,5 m/s<sup>2</sup>.

<sup>1)</sup> Graxa de lítio NLGI 2 EP (gravidade específica 0,92) a 24 °C (75 °F) dispensada através do conjunto de mangueira incluído com acoplador de graxa e contra pressão adicional de 10 bar (150 psi) (simula a conexão de graxa com válvula de esfera).

<sup>2)</sup> A exatidão do medidor é válida para uso com graxa lubrificante de lítio NLGI 2 EP (gravidade específica 0,92) a 24 °C (75 °F).



Fig. 1

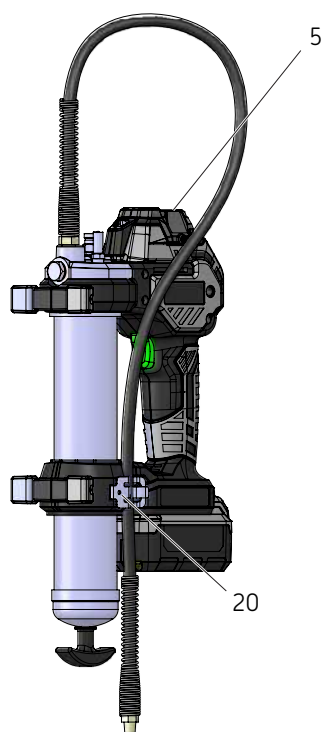


Item	Descrição	Item	Descrição
1	Mangueira	11	Unidade do tubo de graxa
2	Suporte	16	Luz LED
4	Válvula de respiro	17	Válvula do reservatório
6	Mostrador	18	Alça do seguidor
7	Unidade da bomba	19a	Interruptor deslizante
9	Bateria	19b	Botão de reset

## Modelo de vendas

Modelo	Descrição	Carregador de bateria	Caixa
TLGB 21/230V	Pistola de graxa acionada por bateria 20V	220 VAC/20V  -50/60 Hz	Sim
TLGB 21/110V	Pistola de graxa acionada por bateria 20V	110 VAC/20V  -50/60 Hz	Sim

Fig. 2



TLGB 21 - Padrão  
(sem módulo Bluetooth)

Item	Descrição
5	Cobertura contra poeira
20	Porta-mangueira

## Função de luzes vermelhas e verdes no carregador

Quando o carregador está ligado, a luz verde pisca uma vez.

## Operação do carregador

Verifique se a tensão do circuito de energia é a mesma mostrada na placa de especificações do carregador.





Garanta que a bateria se encaixe corretamente nos contatos do carregador.

A bateria se tornará ligeiramente quente ao toque durante o carregamento. Isto é normal e não indica problema.

## Deixe a bateria no carregador

A bateria pode ser deixada conectada ao carregador com LED verde aceso indefinidamente. O carregador possui modo de ajuste automático que permite que ele funcione no nível ideal de capacidade. Ajuste as baterias semanalmente ou quando a bateria deixar de fornecer a mesma quantidade de trabalho. Para usar os modos de ajuste automático, coloque a bateria no carregador por um mínimo de 8 horas.

Tabela 3

Display LED	
Luz LED	Descrição
Luz verde piscando 	Bateria está sendo carregada
Luz verde acesa 	Carga completa
Luz vermelha piscando a 4 Hz 	Bateria com condição ruim. O carregador detectou uma bateria com defeito ou vazamento. Pare de carregar a bateria. Leve-a a um centro de serviço ou a um local de coleta para reciclagem (luz vermelha piscando a 4 HZ).
Luz vermelha piscando a 1 Hz/5 Hz 	O carregador detectou que a bateria está excessivamente quente ou fria. Se houver início automático de atraso por temperatura baixa/alta, suspenda a carga até que a temperatura da bateria se normalize. Quando a bateria estiver a uma temperatura entre 4 °C e 40 °C, o carregador passará automaticamente para o modo de carga. O superaquecimento da bateria pode ser devido a: <ul style="list-style-type: none"><li>• Uso prolongado contínuo</li><li>• Alta temperatura ambiente</li><li>• Uma ou mais células danificadas</li></ul>

# Uso e cuidados com a ferramenta

## Armazenar

- Lugar seco sem poeira
- Sala bem arejada
- Prazo de validade: máximo de 24 meses
- Umidade relativa: <75 %
- Temperatura de armazenamento: +10 a +40 °C (+50 a +104 °F)
- Evitar luz solar direta ou radiação UV
- Proteger contra fontes próximas de calor ou frio.

## Transporte

O produto deve ser transportado no recipiente original do fabricante, qualquer que seja o meio de transporte, independentemente da distância.

Os produtos devem ser embalados em recipientes usando materiais que protejam contra danos e/ou perdas, a fim de garantir sua segurança durante a carga, transporte e armazenamento.

## Carregar a pistola de graxa

### OBS

Consulte a lista de peças, **página 23**, para identificação de componentes nos procedimentos a seguir.

## Cartucho de carga

- 1 Desenrosque o cilindro de graxa (11) da pistola de graxa (→ Fig. 3).
- 2 Puxe a haste do seguidor (18) e encaixe a ranhura na haste do seguidor (18) na fenda na tampa do cilindro de graxa (21).
- 3 Retire a tampa plástica do cartucho.
- 4 Aplique uma película de graxa na superfície interna exposta do cartucho. Isto só é necessário em uma pistola de graxa nova.
- 5 Insira o cartucho no cilindro de graxa (11).
  - 5.1 Remova o selo do cartucho.
- 6 Enrosque o cilindro de graxa (11) na pistola.
- 7 Separe a haste do seguidor (18) da fenda na tampa do cilindro de graxa (21).

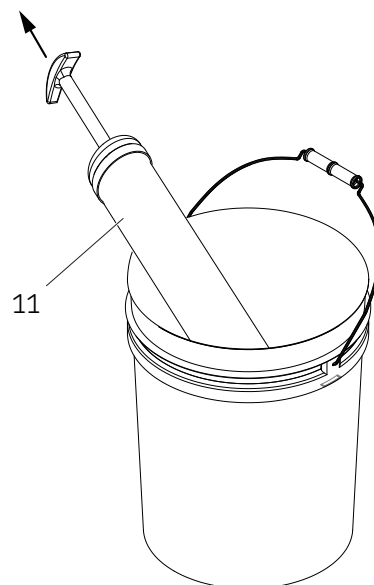
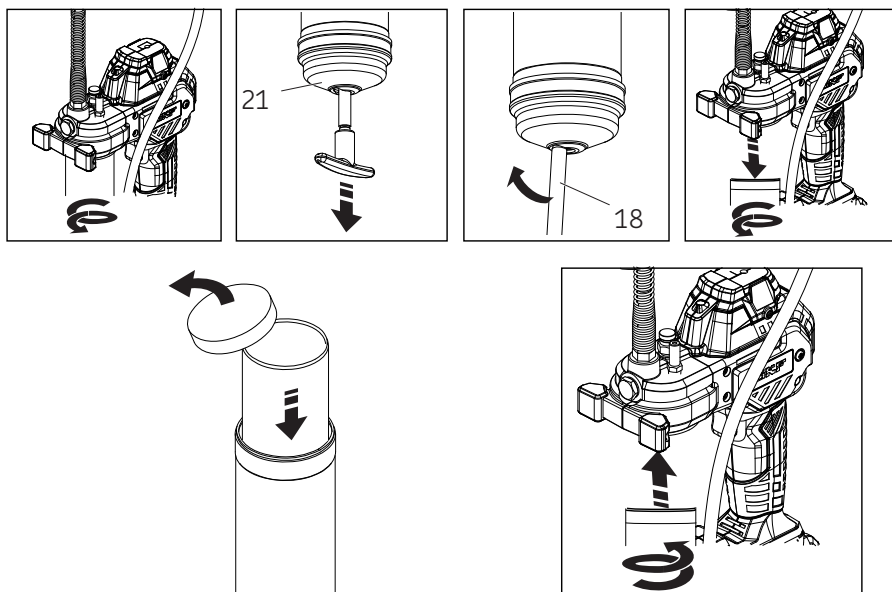
- 7.1 Empurre a haste do seguidor (18) para dentro do cilindro de graxa (11).

## Sucção de carga

- 1 Desenrosque o cilindro de graxa (11) da pistola de graxa (→ Fig. 3).
- 2 Insira o cabeçote do cilindro de graxa (11) abaixo da superfície da graxa.
- 3 Puxe lentamente a haste do seguidor (18) para fora da tampa do cilindro de graxa (21) até que a ranhura fique visível.
- 4 Junte a ranhura na haste de seguimento (18) com a ranhura na tampa do cilindro de graxa (21).
- 5 Enrosque o cilindro de graxa (11) na pistola.
- 6 Separe a haste do seguidor (18) da fenda na tampa do cilindro de graxa (21).
  - 6.1 Empurre a haste do seguidor (18) para dentro do cilindro de graxa (11).

Fig. 3

### Cartucho de carga e sucção de carga



## Bomba carregadora

- 1 Puxe a haste do seguidor (18) e encaixe o seguidor girando-o (→ Fig. 3, página 18).
- 2 Coloque o encaixe do carregador no acoplador do carregador.
  - 2.1 Empurre para baixo para manter a válvula do acoplador aberta.
- 3 Coloque a bomba em funcionamento e confira o movimento da haste do seguidor (18).
- 4 Desligue a bomba quando a ranhura na haste do seguidor (18) estiver visível.
- 5 Separe a haste do seguidor (18) do seguidor e empurre-a para dentro do cilindro de graxa (11).

### OBS

O encaixe do carregador na pistola deve coincidir com o acoplador do carregador. A bomba pode não funcionar se os componentes não forem compatíveis.

## Escorvar a pistola

Na maioria dos casos, o acionamento repetido do gatilho é suficiente para escorvar a pistola. Se a graxa não aparecer, o ar deve ser purgado.

## Forçar a escorva

Este processo auxilia o ar a ser liberado manualmente da válvula de purga.

- 1 Puxe a haste do seguidor e encaixe o seguidor girando-o (→ Fig. 3, página 18).
- 2 Abra a válvula de respiro, girando a haste aproximadamente duas voltas.
- 3 Empurre a haste do seguidor (18).
- 4 Quando o ar for eliminado, aperte a haste da válvula de respiro.
- 5 Opere a pistola de graxa várias vezes.
- 6 Quando a graxa aparecer, retire a haste do seguidor (18) do seguidor e empurre-a para dentro do cilindro de graxa (11).

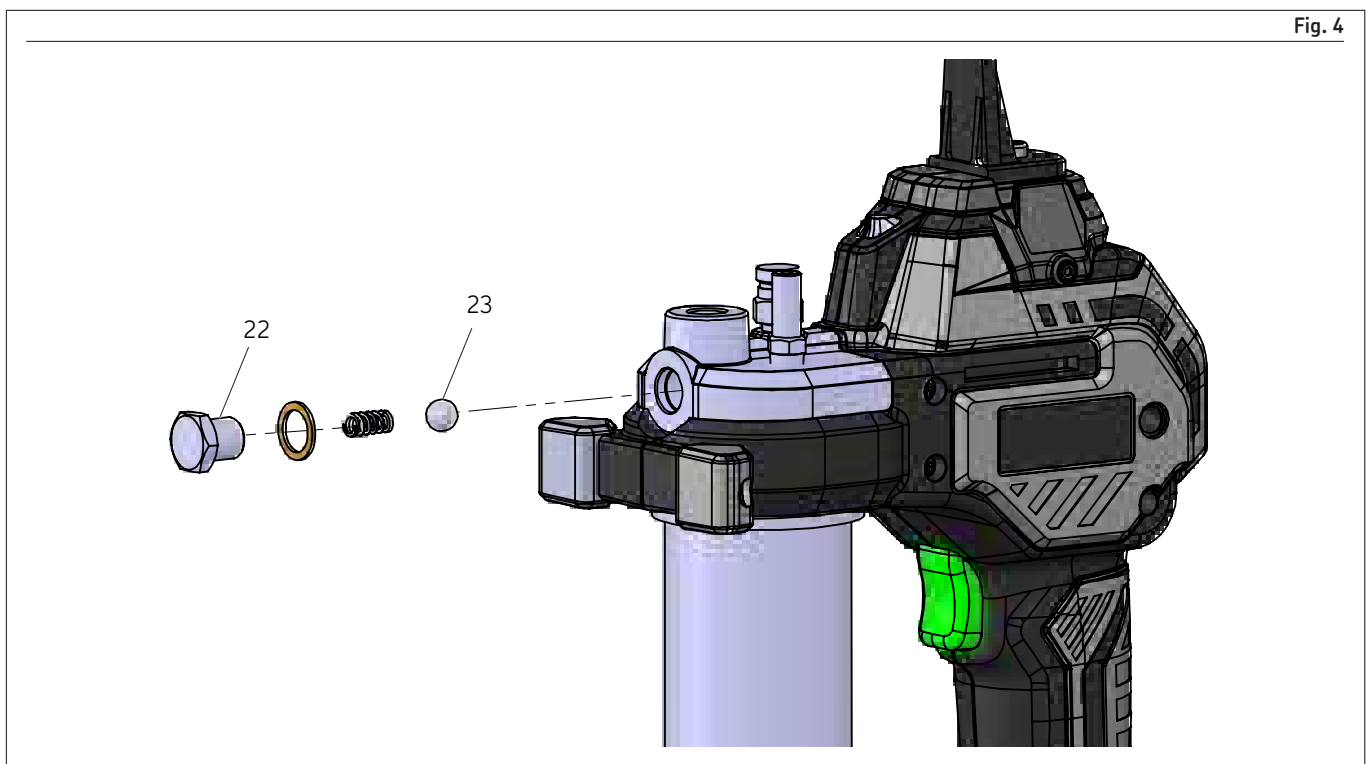
## Verificar a existência de contaminação da válvula

A válvula de saída pode ser mantida aberta caso a pistola não dispare. Remova o plugue (22), limpe a esfera (23) e o assento do cabeçote (→ Fig. 4).

## Operação

A bateria (9) é entregue intencionalmente com baixa carga. Carregue a bateria antes de usar.

- Consulte a seção de operação do carregador de bateria para obter detalhes.



### OBS

A pistola de graxa é equipada com software para proteger o motor. O software cortará a energia do motor e o LCD acenderá com luz vermelha sólida quando um entupimento no rolamento, na linha ou no encaixe de graxa causar a parada da pistola de graxa. Solte o gatilho imediatamente se isso ocorrer.

Para uma vida útil máxima do motor, evite operar quando ocorrer a parada.

Ignorar isso pode causar danos materiais.

### OBS

A pistola de graxa funcionará até cerca de 483 bar (7 000 psi) antes que o software entre em condição de parada e corte a energia do motor. A pistola permanecerá na condição de parada por 3 segundos antes que a energia seja fornecida ao motor novamente.

A pistola irá parar um tempo adicional se o gatilho for pressionado continuamente para chegar a 586 a 724 bar (8.500 a 10.500 psi).

Solte o gatilho por 3 segundos para permitir o resfriamento antes de colocá-la em funcionamento novamente.

## Seleção de velocidade

A pistola está equipada com transmissão eletrônica de duas velocidades para proporcionar fluxo alto e baixo. Consulte as especificações de desempenho de cada velocidade. Alta velocidade é quando o mostrador do interruptor indica **2 (19a)** (→ Fig. 5). A pressão máxima pode ser alcançada tanto na velocidade alta **2** como na velocidade baixa **1**.

### OBS

A pistola de graxa mudará automaticamente de baixa velocidade 1 para alta velocidade 2 em torno de 241 bar (3.500 psi) para obter uma pressão mais alta.

## Funções LCD

O mostrador de cristal líquido (LCD, **6**) apresenta medidor eletrônico de graxa, medidor de nível de graxa e indicador de nível de bateria. Para ativar o LCD, toque uma vez no botão de reajuste (**19b**) (→ Fig. 5).

Para entrar no modo de reajuste, aperte e mantenha pressionado o botão de reajuste (**19b**). Após 2 segundos, os dígitos do medidor de graxa e unidades de medida do nível do cilindro de graxa (oz/g) começam a piscar.

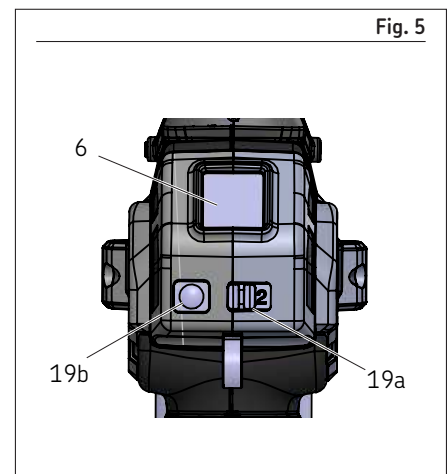
Soltar o botão de reajuste (**19b**) quando o dígito do medidor de graxa estiver piscando irá zerar o medidor. Soltar o botão quando os segmentos de nível do cilindro de graxa estão piscando, restaurará o calibre ao máximo. Soltar o botão quando a unidade de medida estiver piscando mudará a unidade de medida.

## Indicação de parada

Durante a condição de parada (em caso de entupimento do encaixe ou da linha) a pistola deixará de bombear graxa e o mostrador LCD (**6**) se acenderá com luz vermelha de fundo. Se esta condição ocorrer, solte o gatilho imediatamente. Inspeção, limpe e/ou conserte a passagem de graxa antes de tentar dispensar a graxa no sistema.

## Indicação de perda da escorva

A perda da escorva ocorre quando existe ar na graxa lubrificante ou quando o cilindro de graxa está vazio. Quando isto ocorrer, a tela LCD piscará em vermelho para indicar que a pistola não está bombeando graxa. Durante a perda da escorva, o medidor de graxa principal não conta os golpes do pistão vazio.



## Lanterna

Para acender (**ON**) a lanterna, toque uma vez no botão de reajuste. Se a tela LCD ainda não estiver ligada, são necessários dois toques no botão de reajuste para acender (**ON**) a lanterna.

Para apagar (**OFF**) a lanterna, toque uma vez no botão de reajuste. A lanterna apagará (**OFF**) automaticamente após 20 segundos, a menos que o gatilho seja acionado (**ON**) para dispensar graxa. Se o gatilho for pressionado para operar a pistola, a luz permanecerá acesa por 20 segundos após o gatilho ser liberado.

### CUIDADO

Não faça nenhum trabalho de manutenção na pistola de graxa com a bateria instalada. Não limpe o carregador enquanto ele estiver ligado em uma tomada elétrica.

Não seguir as instruções pode causar ferimentos graves e/ou morte.

### ATENÇÃO

Limpe regularmente as fendas de ventilação da ferramenta e do carregador usando uma escova macia ou um pano seco.

Limpe regularmente a carcaça do motor usando um pano úmido. Não use materiais de limpeza abrasivos ou com solvente.

## Manutenção

Projetada para funcionar durante períodos prolongados, com manutenção mínima.

A operação contínua satisfatória depende do cuidado correto e limpeza regular da ferramenta.



O carregador não exige nenhuma manutenção além da limpeza regular.





## Solução de problemas

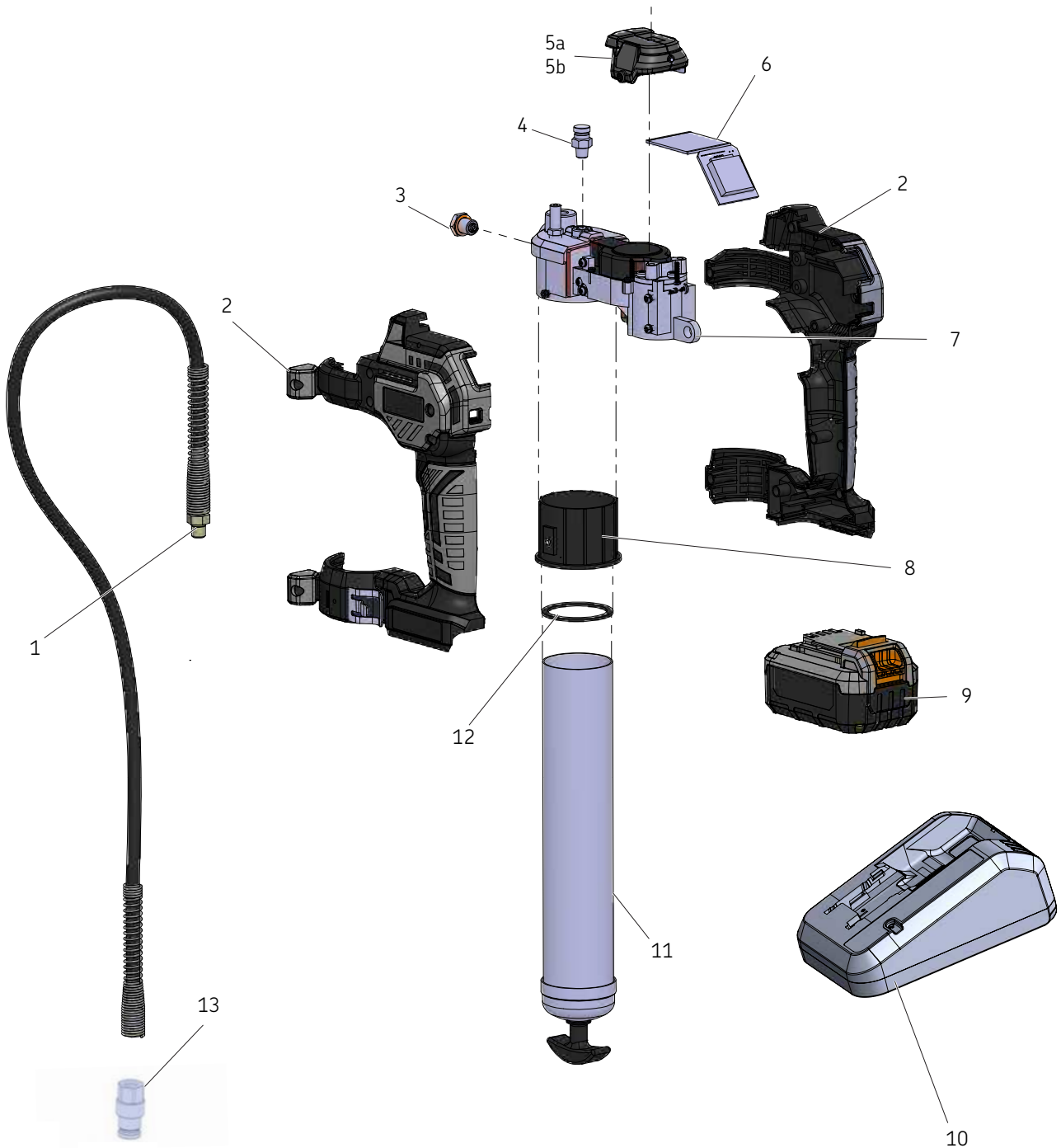
Condição	Causa possível	Ação corretiva
A pistola de graxa não aplica graxa.	O tubo de graxa está vazio.	Verifique se o tubo de graxa tem graxa.
	Perda da escorva.	Repita a operação de escorva.
	Esfera (23) de retenção não está funcionando.	Retire a esfera (23) de retenção, limpe-a e inspecione a área do assento da esfera.
Luz indicadora vermelha acesa indicando sobrecarga do motor.	Mangueira entupida.	Limpe ou substitua a mangueira.
	Ponta de lubrificação entupida.	Remover entupimento.
Pistola de graxa continua a perder a escorva.	Mangueira entupida.	Limpe ou substitua a mangueira.
	Air preso em diversos lugares no reservatório depois de enchimento a granel.	Esvazie o tubo de graxa, encha-o novamente e repita as instruções de escorva.
	Seguidor preso no tubo de graxa.	Desmonte o tubo de graxa e limpe-o. Verifique se o seguidor entrou corretamente no cartucho de graxa.  Verifique se o seguidor não está preso na borda do cartucho de graxa.  Substitua o tubo de graxa se estiver com defeito.
Bateria não pega carga.	O assento da esfera (23) de retenção e a esfera de retenção estão sujos.	Limpe a esfera (23) de retenção e o assento da esfera de retenção.
	Carregador está sem força.	Verifique se a tomada tem força.
	Bateria pode estar com defeito.	Substituir a bateria.
Motor falha ao executar	Bateria precisa de carga.	Carregue a bateria.
	Fiação do motor com defeito	Retire a bateria, desmonte a alça e verifique as conexões da fiação no terminal, gatilho e motor.

### Lista de peça/kits de manutenção

Número da peça	Descrição
TLGB 21-1	Alça tiracolo (TLGB)
TLGB 21-2	Bateria SKF de lítio 20 V 2,5 Ah
TLGB 21-3	Mangueira 1219 mm lg c/ acoplador
TLGB 21-4	Kit de tubo de graxa (TLGB)
TLGB 21-5	Carregador SKF 2A 230 V AC / 20V 
TLGB 21-6	Carregador SKF 2A 120 V AC / 20V 
TLGB 21-9	Bateria SKF de lítio 20 V 4,0 Ah

### Peças de reposição

Item	Descrição
1	Mangueira de graxa
2	Caixa (alça)
3	Válvula de retenção
4	Válvula de respiro
5a	Copo de pó (TLGB 21)
5b	Módulo Bluetooth (TLGB 40-10)
6	Mostrador/PCB
7	Bomba
8	Espaçador de tubo de graxa com parafuso
9	Bateria, 20 V  2,5 Ah Bateria, 20 V  4,0 Ah
10	Carregador de bateria (120 V AC / 60 Hz) Carregador de bateria (230 V AC / 50 Hz)
11	Cilindro de graxa
12	Junta
13	Acoplador de graxa
14	Suporte de telefone
15	Parafuso



## Instruções detalhadas

Para obter instruções detalhadas de uso, acesse este link

→ [gr.skf.com/lm/Lub-tools/TLGB-21/](https://gr.skf.com/lm/Lub-tools/TLGB-21/)

ou entre em contato com o escritório ou distribuidor local da SKF.



## Garantia

As instruções não contêm qualquer informação sobre a garantia. Isto pode ser encontrado nas Condições Gerais de Vendas, que estão disponíveis em: [www.lincolnindustrial.com/technicalservice](https://www.lincolnindustrial.com/technicalservice) ou [www.skf.com/lubrication](https://www.skf.com/lubrication).



[skf.com](https://skf.com)

© SKF é uma marca registrada do Grupo SKF.

© SKF Group 2024

O conteúdo desta publicação é de direito autoral do editor e não pode ser reproduzido (nem mesmo parcialmente), a não ser com permissão prévia por escrito. Todo cuidado foi tomado para assegurar a precisão das informações contidas nesta publicação, mas nenhuma responsabilidade pode ser aceita por qualquer perda ou dano, seja direto, indireto ou consequente como resultado do uso das informações aqui contidas.

outubro 2024 · Form MP5499PT Versão 2